

Frascati, December 18, 2006

Note: **G-70**

28 Degree Dipole for DANAE Experiment

Pasquale Iorio, Claudio Sanelli

1. Introduction

The DANAE dipoles are dimensioned with a bending radius bigger than the present DAΦNE one, then the magnetic field for higher energy beam can be reached using normal conducting technology with a magnet gap of 43mm. With such a gap the best solution is to have H shaped laminated dipoles. A C shape solution, with detachable poles to allow the coils mounting, would be very complicate from the mechanical point of view and, since the magnet must ramp up from 0,73 T to 1,718 T, the connecting bolts between various pieces of iron may represent a problem because of eddy currents. All the dipoles have the same bending radius but three different magnetic lengths. This document focuses on the 28 degree dipole with a magnetic length of 1,138 m at maximum field.

1.1. Specifications to be met

The following table contains all the requirements that the 28 degree dipole must satisfy.

Table 1 - Specifications for the dipole design

Bending angle [deg (rad)]	28 (0,4887)
Bending radius [m]	2,329
Magnetic length at maximum energy [m]	1,138 ± 0,001
Maximum field [T]	1,718
Minimum field [T]	0,73
Integrated strength [T·m]	1,9551
Horizontal good field region [mm]	-30 ≤ x ≤ +30
Field quality	1*10 ⁻³

The DANAE 28 degree dipole studied in this note will be trapezoidal like. The beam will enter and exit the dipole perpendicularly to the iron faces.

1.1.1. Definition of field quality

In the simulations a lamination profile that verifies the following condition has been requested

$$-1 \cdot 10^{-3} \leq \frac{B_y(x,0) - B_y(0,0)}{B_y(0,0)} \leq 1 \cdot 10^{-3}$$

at all field levels for $-30\text{mm} \leq x \leq 30\text{mm}$ and $y=0$ mm (2D coordinate system is represented in Fig. 1).

1.2. Profile description

1.2.1. Core description

The lamination profile used in the 2D and 3D simulations is shown in Fig. 1, while the coordinates of the points are reported in Tab. 2. The gap is 43 mm.

Table 2 – The table defines the geometry of the lamination profile used in the 2D simulations and the base plane of the 3D model.

Iron	X [cm]	Y [cm]		X [cm]	Y [cm]
A	-2,8	2,15	R	-30	19,15
B	3	2,15	S	-12,6	19,15
C	3	2,12	T	-8,6	2,15
D	8,6	2,12	U	-8,6	2,13
E	8,6	2,15	V	-2,8	2,13
F	12,6	19,15			
G	30	19,15	Coil		
H	30	0	Z	-29,1	2,8
I	44	0	AA	-29,1	18,8
L	44	29,15	AB	-13,1	18,8
M	39	34,15	AC	-13,1	2,8
N	-39	34,15	AD	13,1	2,8
O	-44	29,15	AE	13,1	18,8
P	-44	0	AF	29,1	18,8
Q	-30	0	AG	29,1	2,8

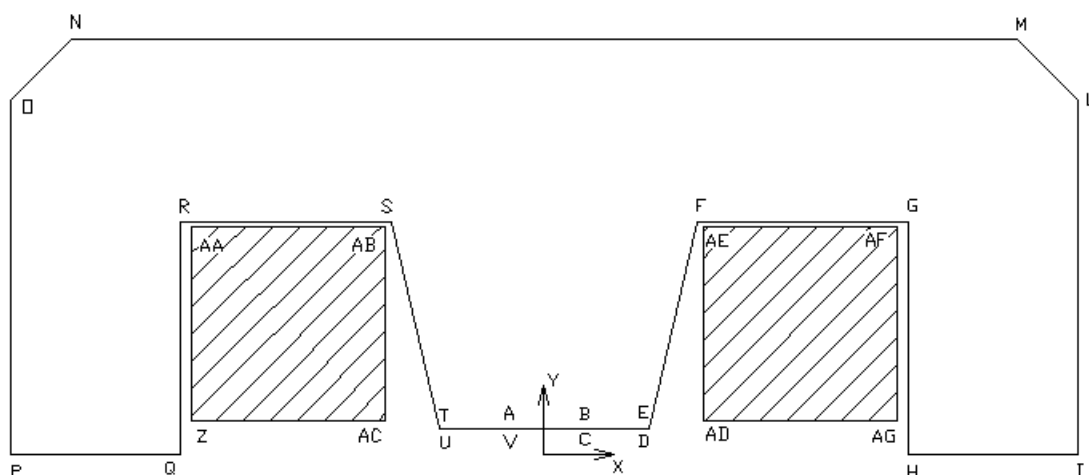


Figure 1 – Lamination profile of the DANAE 28 degree dipole used in the magnetic calculations. Exploiting the symmetry only half of the dipole has been modelled.

1.2.2. Coil description

The dipole coil is made of two 28 degree arcs, four 90 degree arcs and two straight bars made as can be seen in Fig. 5. The coil is composed of 8x8 turns of copper conductor whose cross section is $17,4 \times 17,4 \text{ mm}^2$ with a 9,3 mm diameter hole for water cooling. Nominal current at the maximum energy is 609,2 A while that for the minimum energy is 198A.

2. Magnetic Calculations Results

The 2D simulations have been performed with POISSON, the 3D magnetic study has been done by OPERA3D. All the files written for the simulations are enclosed in the appendices.

2.1. 2D Simulations

The following parameters have been used:

- Packing factor 0,96
- Mesh size 1 mm
- Minimum and maximum abscissa of the window in air ± 80 cm
- Maximum ordinate of the window in air 60 cm

The field quality has been checked at 2 different reference fields that correspond to the two energy levels of the dipole: 1,718 and 0,73 Tesla. The B-H curve is shown in Fig. 2 and tabulated in Appendix I; the results of simulations are shown and explained below.

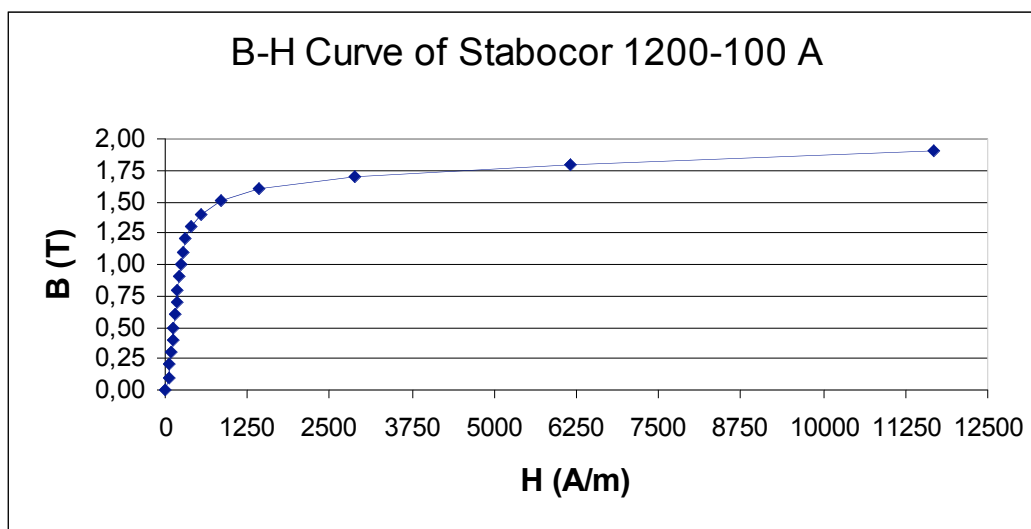


Figure 2 – B-H curve of the material used in all the simulations.

2.1.1. Computation results at $B_y(0,0)=1,718T$

Figure 3 shows the value of $\frac{B_y(x,0) - B_y(0,0)}{B_y(0,0)}$ as a function of the horizontal x coordinate for a current of 609,2 A.

The calculation is performed with $I = 38988,8$ Ampere*turn and a central magnetic field of $B_y(0,0) = 17370,69$ Gauss is obtained. The range of the field quality inside the good field region is:

$$-9,82 \cdot 10^{-5} \leq \frac{\Delta B_y}{B_y} \leq 9,12 \cdot 10^{-4}$$

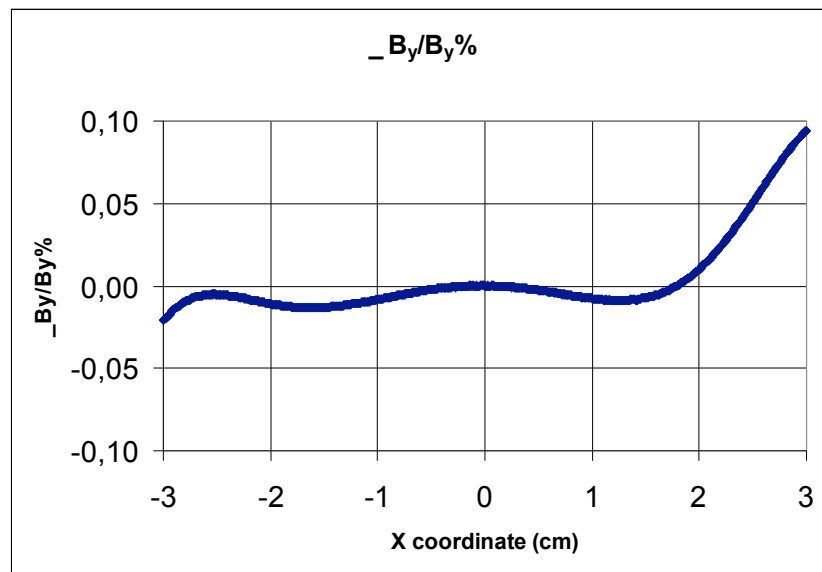


Figure 3 - Values of $\Delta B_y/B_y$ in the good field region for the current of 609,2 A.

2.1.2. Computation results at $B_y(0,0)=0,73T$

Figure 4 shows the values of $\frac{B_y(x,0) - B_y(0,0)}{B_y(0,0)}$ for $B_y(0,0) = 0,73 T$.

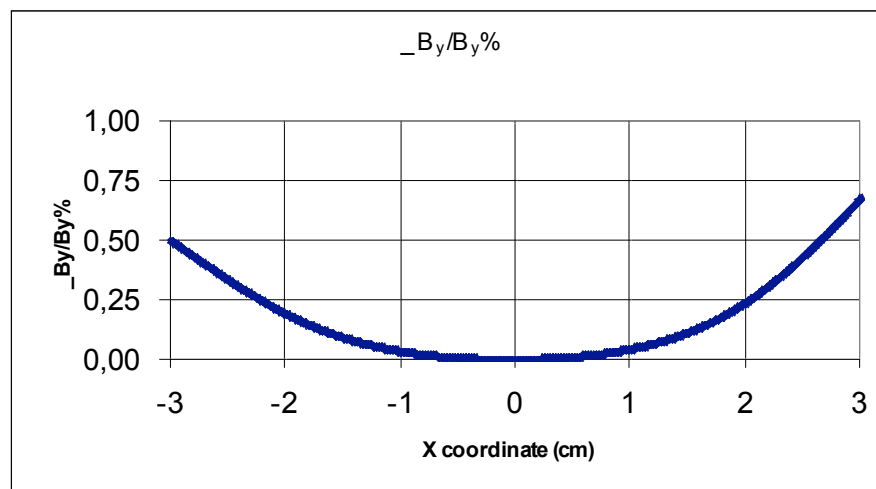


Figure 4 - Values of $\Delta B_y/B_y$ in the good field region for the current of 198 A.

The calculation is performed with $I = 12672$ Ampere*turn, corresponding to a current of 198A to which a central magnetic field and a central magnetic field of $B_y(0,0) = -7335,54$ Gauss is obtained. The range of the field quality inside the good field region is:

$$0 \leq \frac{\Delta B_y}{B_y} \leq 6,807 \cdot 10^{-3}$$

This simulation shows that the field at 198 A has not the required homogeneity of 10^{-3} or better.

2.2. 3D Simulations

2.2.1. 3D magnet model

The DANAE 28 degree dipole is a trapezoidal magnet; every lamination is shifted along the reference particle trajectory in such a way that the ideal particle should always pass through the centre of the lamination. The yoke mechanical length is 1,223 m, while the overall dimension (see section 3) with coils included is 1,614 m. The radius of curvature of the coil is 2,329 m. Figure 5 shows the 2D representation of the coil used in the simulation.

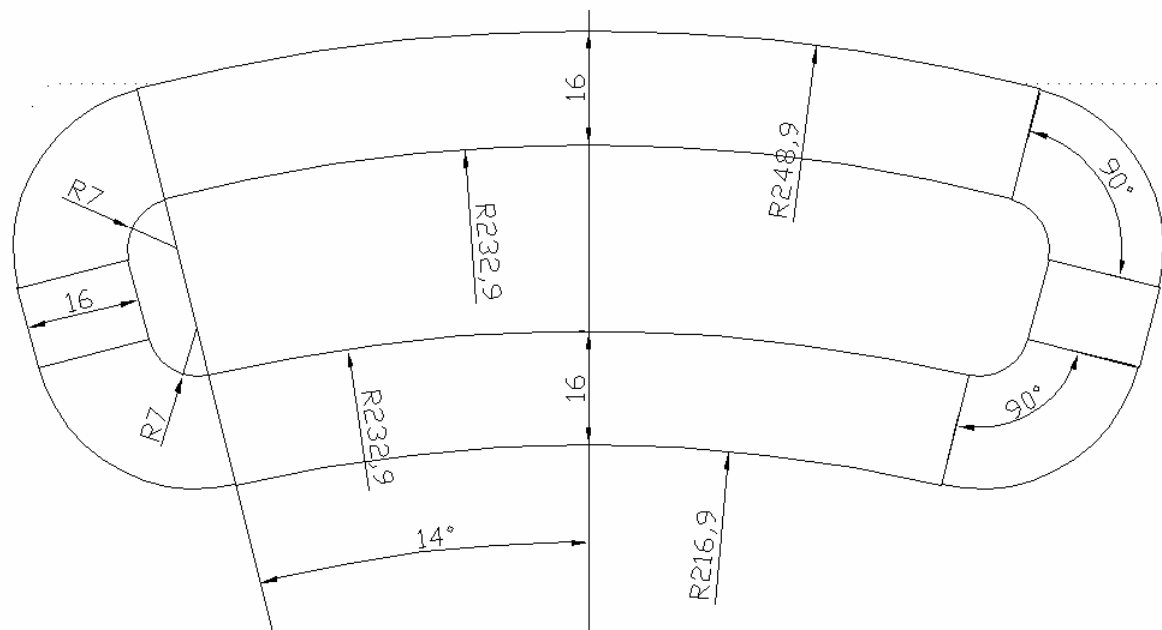


Figure 5 – 3D coil model used in the simulation.

In 3D calculations the coil inner and outer insulation is neglected, and the coil is represented as a single conductor of cross section $A \times B = 16 \times 16 \text{ cm}^2$ and with an overall current density of

$$J_{3D} = \frac{N \cdot I}{A \cdot B} = \frac{64 \cdot 198}{16 \cdot 16} = 0,495 \text{ A/mm}^2$$

and of

$$J_{3D} = \frac{N \cdot I}{A \cdot B} = \frac{64 \cdot 609.2}{16 \cdot 16} = 1,523 \text{ A/mm}^2$$

for low field (0,73 T) and high field (1,718T) respectively.

The permeability curve of the iron is the same used for 2D calculations (Fig. 2). The lamination effect is taken into account defining the material packing factor $PF=0,96$.

2.2.2. Computation results at $B_y(0,0)=1,718 T$

Figures 6 and 7 show the field homogeneity as it results from 3D simulations.

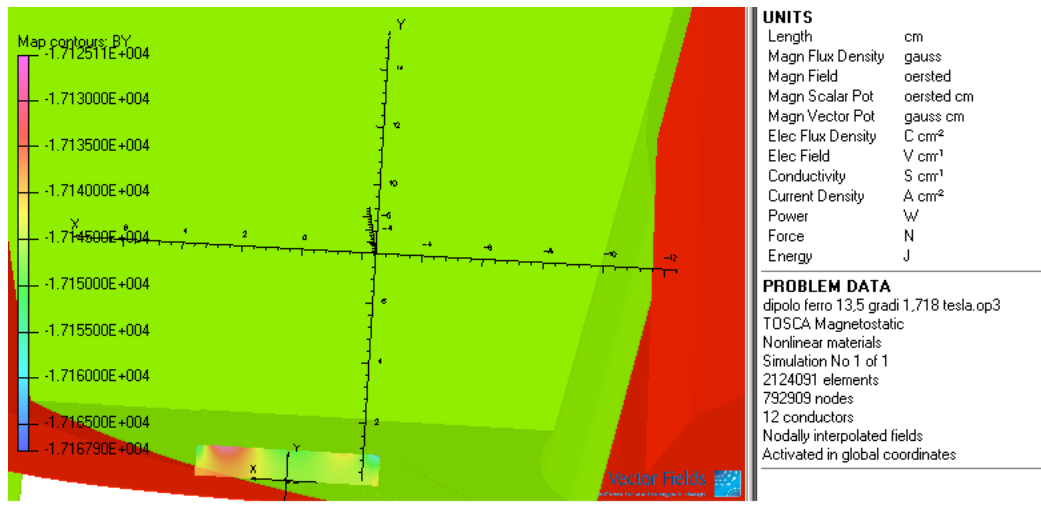


Figure 6 – Field homogeneity in the central part of the dipole. It is within the limits of $\pm 1 \cdot 10^{-3}$. The red part of the plot corresponds to the coil in a prospective view, while the green part is the iron yoke.

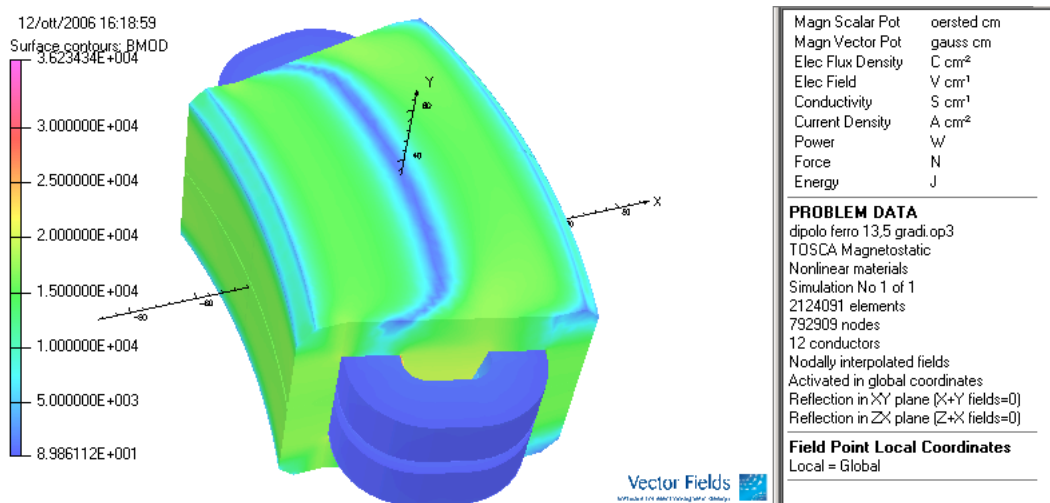


Figure 7 – Total field on the surface of the model.

The range of the field quality inside the good field region is:

$$\left| \frac{\Delta B_y}{B_y} \right| \leq 5,7 \cdot 10^{-4}$$

Figure 8 represents the plot of the field density B_y inside the good field region at the centre of the magnet as function of x coordinate.

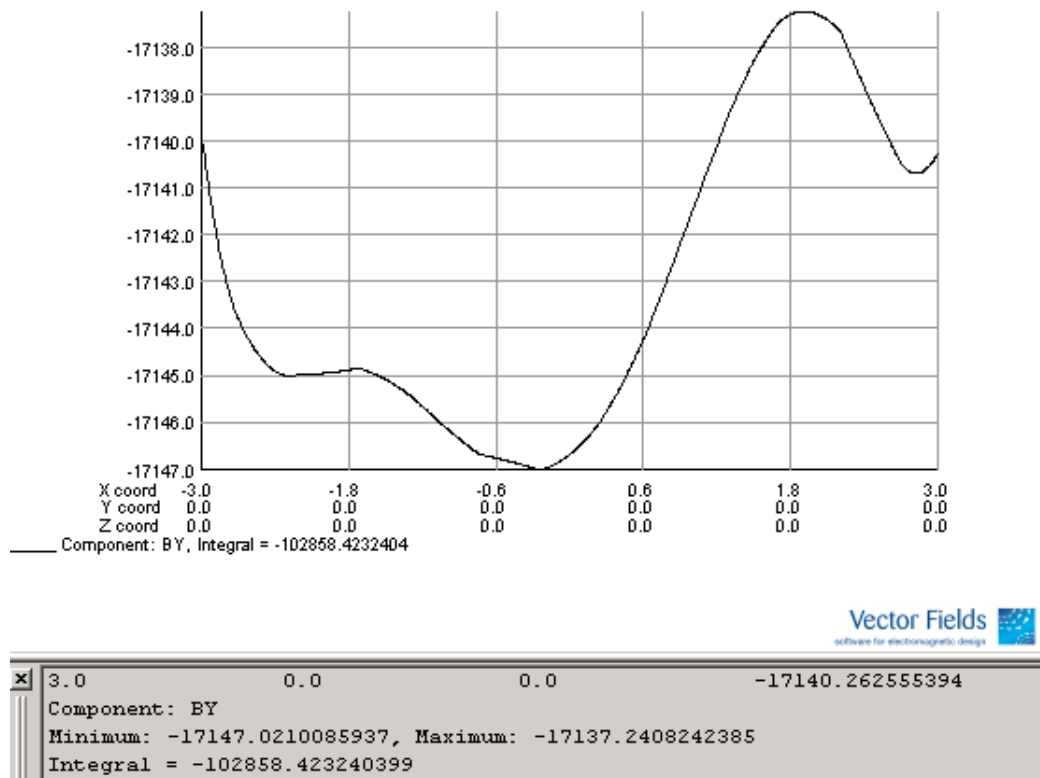


Figure 8 –Field on the good field region at $y=z=0$.

2.2.3. Computation results at $B_y(0,0)=0,73 T$

Figure 9 shows the field homogeneity as it results from 3D simulations.

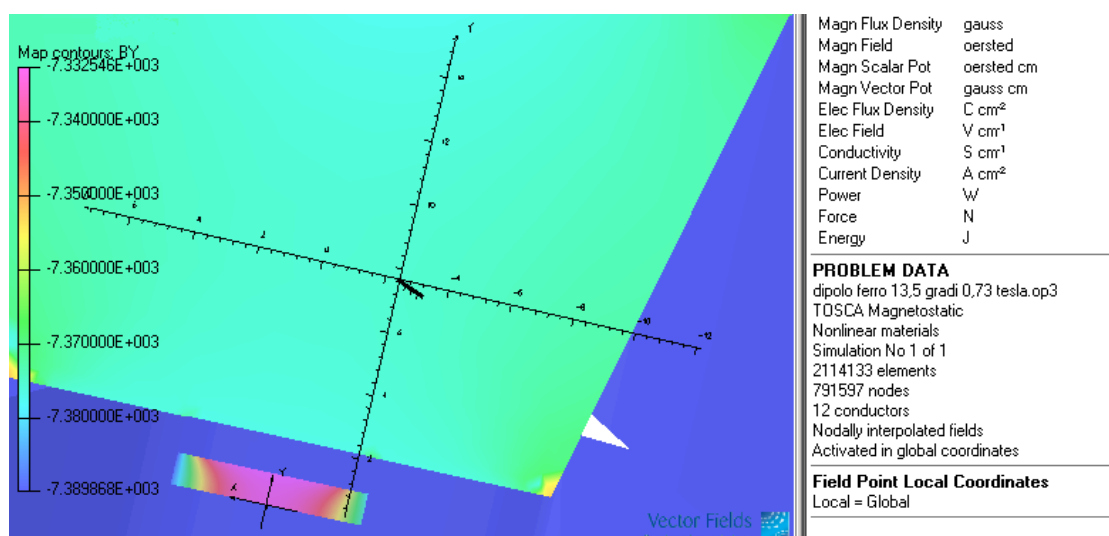


Figure 9 – Field homogeneity in the central part of the dipole. The blue part of the plot corresponds to the coil in a prospective view, while the green part is the iron yoke.

The field quality inside the good field region is:

$$\left| \frac{\Delta B_y}{B_y} \right| \leq 7,07 \cdot 10^{-3}$$

Therefore it does not satisfy the requirement as indicated by 2D simulations. Further analysis will be needed to achieve the required homogeneity at this field value.

Figure10 shows a plot of the field B_y on the good field region at the of the magnet as function of the x coordinate.

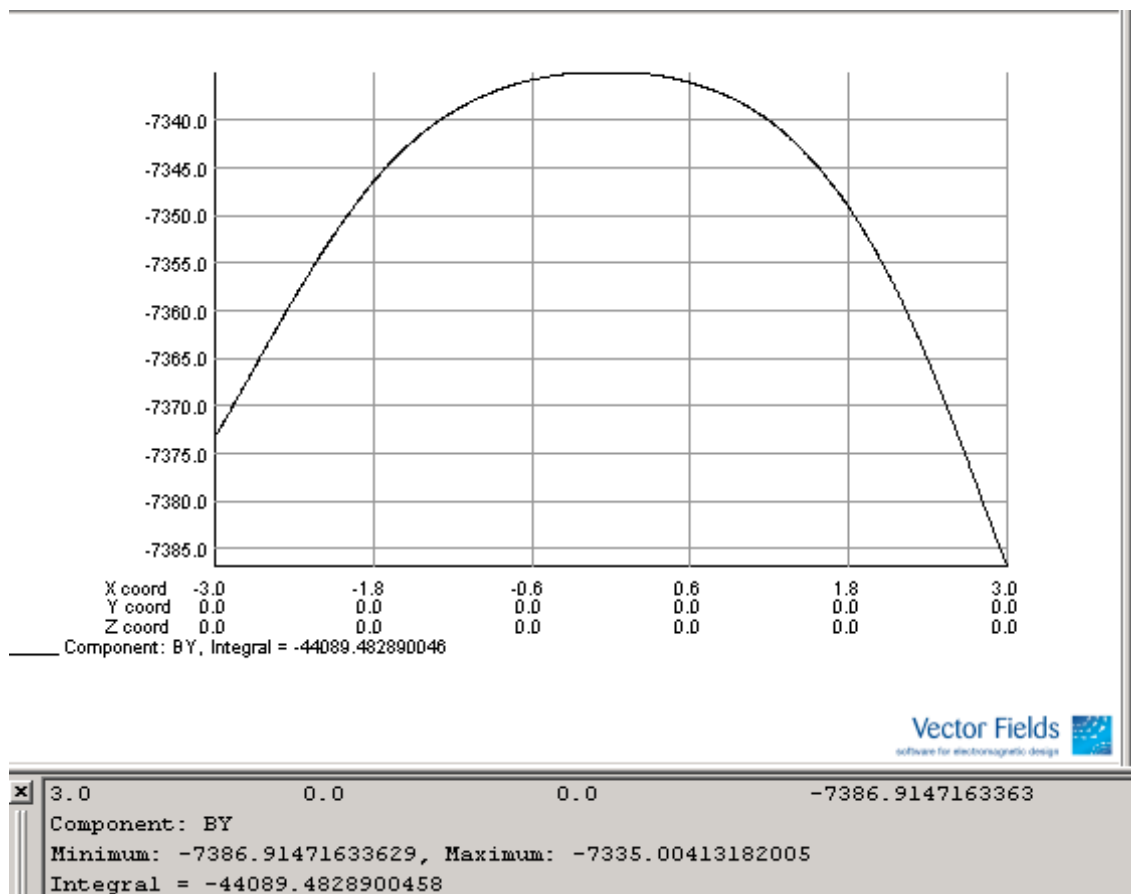


Figure 10 – Field on the good field region at $y=z=0$.

2.3. Fringe Field

Figure 11 shows the fringe field at maximum field calculated on a straight line as close as possible to the reference particle trajectory, starting at the iron edge and extending up to 27,76 cm where the field B_y is zero. B_x and B_z components are null, while B_y values are reported in Table 3.

Table 3 – Values of the dipole fringe field outside the magnet for $B(0,0)=1,718$ T

X (cm)	Z (cm)	B_y
-6,44346	54,36741	11394
-6,71209	55,44482	8866,38
-6,98072	56,52224	6845,44
-7,24935	57,59965	5440,71
-7,51798	58,67707	4645,21
-7,78661	59,75449	3997,4
-8,05524	60,8319	3538,45
-8,32387	61,90932	3132,58
-8,5925	62,98674	2842,23
-8,86113	64,06415	2554,72
-9,12976	65,14157	2300,75
-9,39839	66,21899	2046,79
-9,66702	67,2964	1831,94
-9,93565	68,37382	1619,66
-10,2043	69,45123	1423,37
-10,4729	70,52865	1229,55
-10,7415	71,60607	1046,76
-11,0102	72,68348	877,547
-11,2788	73,7609	717,195
-11,5474	74,83832	563,2
-11,8161	75,91573	421,189
-12,0847	76,99315	292,474
-12,3533	78,07057	182,587
-12,622	79,14798	100,223
-12,8906	80,2254	44,6934
-13,1592	81,30281	0,80874

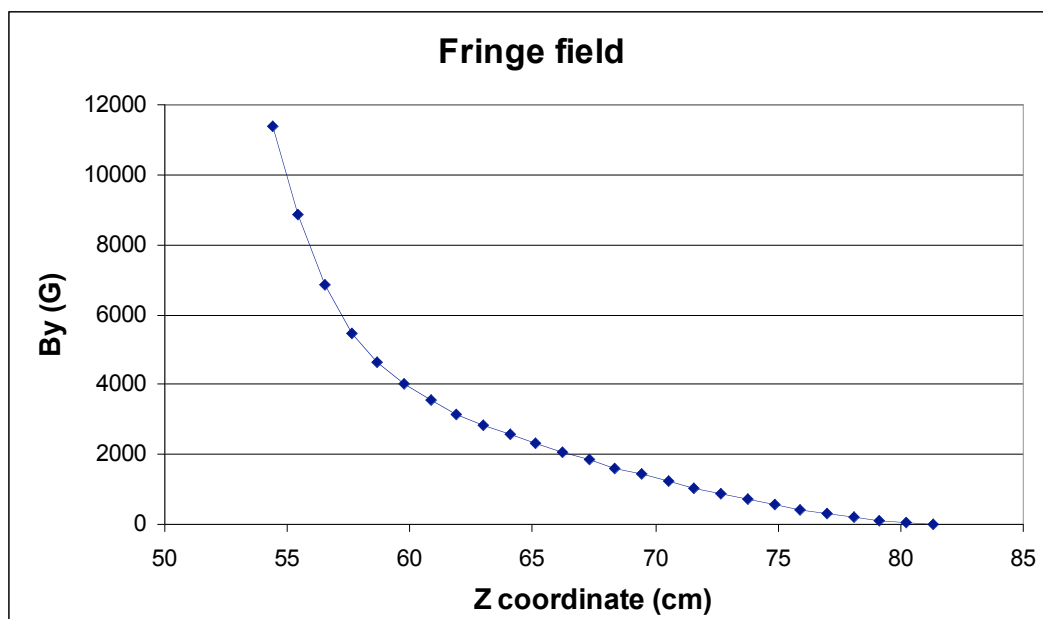


Figure 11 – Fringe field at maximum field along the linear part of the particle track exiting the magnet.

The fringe field at the minimum energy is represented in Fig. 12 and listed in Table 4.

Table 4 – Values of the dipole fringe field outside the magnet for $B(0,0)=0,73$ T.

X	Z	B_y
-6,44346	54,36741	6081,9
-6,73067	55,51934	4473,129
-7,01788	56,67128	3292,943
-7,30509	57,82321	2488,919
-7,5923	58,97515	1981,261
-7,87951	60,12708	1644,366
-8,16672	61,27902	1394,645
-8,45393	62,43095	1216,887
-8,74114	63,58289	1065,562
-9,02835	64,73482	935,3959
-9,31556	65,88676	815,7044
-9,60277	67,03869	712,517
-9,88998	68,19063	616,6587
-10,1772	69,34256	530,3449
-10,4644	70,4945	451,2873
-10,7516	71,64643	380,8036
-11,0388	72,79837	315,8205
-11,326	73,9503	254,8965
-11,6132	75,10224	197,1583
-11,9004	76,25417	146,5607
-12,1877	77,40611	99,97301
-12,4749	78,55804	64,9513
-12,7621	79,70998	37,80834
-13,0493	80,86191	21,1782
-13,3365	82,01385	8,455346
-13,6237	83,16578	0,094845

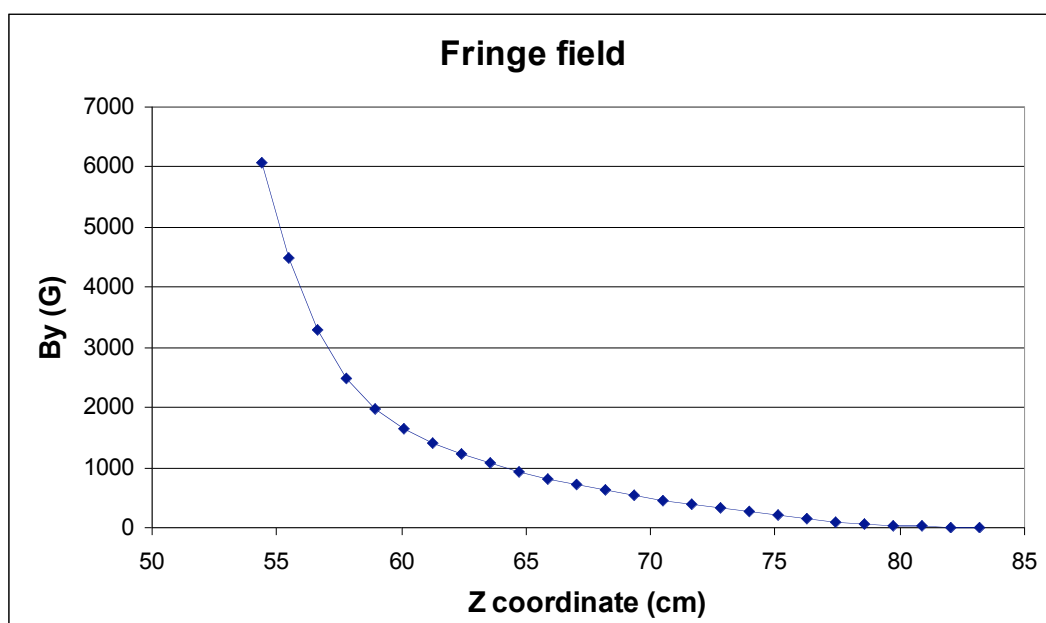


Figure 12 –Fringe field at minimum field along the linear part of the particle track.

2.4. Inductance and Magnetic Length

The stored magnetic energy in one fourth of the model at maximum field is

$$U_{mag} = 4751,7 \text{ J}$$

at the operating current of 602,9 A. The dipole inductance will therefore be

$$L_{eq} = \frac{2 \cdot (4 \cdot U_{mag})}{I^2} = 104,6 \text{ mH}$$

In the same way for the minimum field we obtain an inductance value of

$$L_{eq} = \frac{2 \cdot (4 \cdot U_{mag})}{I^2} = 132,4 \text{ mH}$$

with an energy of one fourth of the complete geometry of 648,8 J and a current of 198 A.

2.4.1. Magnetic length

The magnetic length is defined as

$$\text{Magnetic length} = \frac{\int_{-\infty}^{\infty} B_y dl}{B_{y0}}$$

where B_{y0} is the field on the magnet centre and the integration limits are to be extended to a region where the field along the beam direction can be considered null. Magnetic length has been calculated using as integration limits the values of the abscissa "l" for which field goes to zero for the first time without taking into account subsequent field bumps that may occur. The resulting magnetic length at maximum field ($B_{y0}=17146,69 \text{ G}$) is:

$$L_{mag} = 1,13847 \text{ m}.$$

At minimum field ($B_{y0} = 7335,02 \text{ G}$) the magnetic length is

$$L_{mag} = 1,17728 \text{ m}.$$

3. Mechanical and Electrical Parameters

The iron volume evaluated from the simulation is $0,47656 \text{ m}^3$. Being the Stabacor 1200-100A steel density 7850 Kg/m^3 , the dipole weight (without coils) is about 3,74 ton.

The iron length will be 1,223 m, the overall length of the real model will be 1,614 m. The yoke height and width are respectively 0,683 and 0,88 m. These dimensions do not take into account positioning, alignment, clamping tools and resin around copper (see Fig. 13).

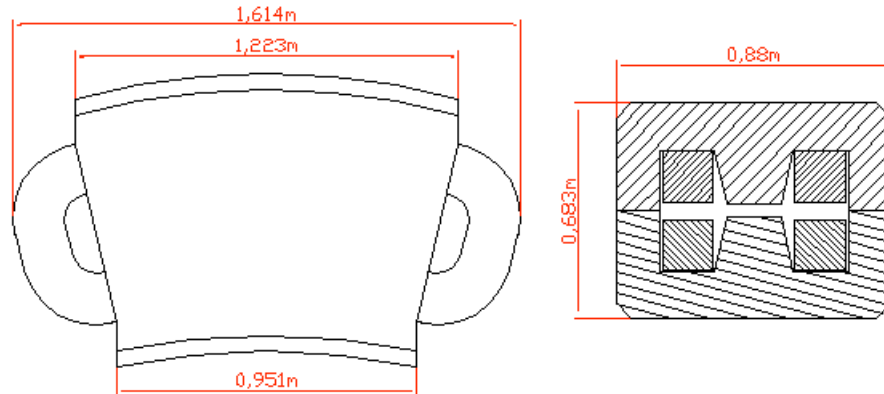


Figure 13 – Iron overall dimensions.

The excitation coil system consists of two coils composed of two 28 degree arcs, four 90 degrees curves and two straight parts. The total length of the conductor in a single coil is $L_{coil} = 290 \text{ m}$, the total conductor length is hence $L_{tot} = 580 \text{ m}$.

The conductor copper area is $234,83 \text{ mm}^2$, the copper resistivity at $51 \text{ }^\circ\text{C}$ is $0,020 \text{ } \Omega\text{mm}^2/\text{m}$, and hence the total dipole resistance (without taking into account connection cables to the power supply) is

$$R_{dip} = 49,4 \text{ m}\Omega$$

The copper density is 8960 Kg/m^3 and the copper volume is $0,136250 \text{ m}^3$ hence the coils weight is 1,22 ton (this value increases of 10% if we take into account insulation and resin).

The dipole total weight is then

$$M_{dip} = 5,1 \text{ ton}$$

Knowing the magnet resistance ($49,45 \text{ m}\Omega$) the nominal voltage and power in DC (without forcing voltage) can be computed as

$$V_{nom} = V_{dc_nom} = RI_{nom} = 29,8 \text{ V}$$

$$W_{dc_nom} = RI_{nom}^2 = 18,0 \text{ KW}$$

with $I_{max} = 602,9 \text{ A}$, the nominal current deliverable by the power supply at the higher energy.

Maximum values of DC voltage and power at maximum power supply current ($I_{\max} = 650\text{A}$) are respectively:

$$V_{\max} = RI_{\max} = 32,1\text{ V}$$

$$W_{dc_max} = RI_{\max}^2 = 20,9\text{ kW}$$

The last calculation deals with coil cooling. The two racetrack coils will be cooled by 4 water circuits, hence the length of a single cooling circuit will be 145 m.

Using a pressure drop across the circuit of 3 atm, the water flow per circuit will be $q = 6,79 \cdot 10^{-5}\text{ m}^3/\text{s}$. The pressure value is yet increased of a factor 1,2 because of hydraulic concentrated losses.

Supposing all the power generated by the coil dissipates into the water, the water temperature rise will be:

$$\Delta T_{\max} = \frac{10^{-6} W}{4,186 q} = 18,4^\circ\text{C}$$

where $W = \frac{RI_{\max}^2}{4} = 5225\text{W}$ is the power dissipated in Watt and q the water flow in m^3/s for every hydraulic circuit. The current used in the calculation is 650 A.

4. Calculated Magnet Parameter List

• Nominal Maximum Field	T	1,718
• Magnet Gap	cm	4,24÷4,3
• Magnetic Length (at maximum energy)	m	1,13847
• Good Field Region	mm	±30 (hor.)
• Field Quality (at max field)		±1x10 ⁻³
• Nom. A-turn per Pole (at maximum field)	A	38585,6
• Turns per Pole		64
• Nominal Current	A	602,9
• Maximum Current	A	650
• Current Density	A/mm ²	2,57
• Maximum Current Density	A/mm ²	2,77
• Copper Conductor	mm ²	17,4x17,4
• Cooling Hole Diameter	mm	9,3
• Resistance per Magnet	mΩ	49,45
• Inductance per Magnet	mH	104,6÷132,4
• Nominal DC Voltage per Magnet	V	29,8
• Maximum DC Voltage per Magnet @ 650A	V	32,1
• Nominal DC Power per Magnet	kW	18,0
• Maximum DC Power per Magnet @ 650 A	kW	20,9
• Water Circuit per Magnet		4
• Water Flow per Magnet	m ³ /s	4 x 6,79 10 ⁻⁵
• Pressure Drop	MPa	0,3
• Water Temperature Rise	°C	18,4

Appendix I

B-H TABLE OF STABOCOR 1200-100A

H (A/m)	B (T)
0	0
48,38499832	0,100000001
70,52100372	0,201000005
88,6309967	0,300000012
107,3170013	0,400999993
126,0670013	0,5
146,1920013	0,601000011
167,1920013	0,700999975
189,5160065	0,800999999
213,2799988	0,901000023
238,4190063	1
271,098999	1,100000024
313,20401	1,200000048
404,019989	1,299999952
559,5859985	1,401000023
839,6740112	1,501000047
1413,628052	1,600000024
2884,89502	1,700000048
6165,12793	1,799999952
11695,21582	1,899000049

Permeability table of STABOCOR 1200-100A steel used in POISSON and OPERA 3D simulations without packing factor correction.

Appendix II

POISSON INPUT FILE

Dipole 28 degrees danae

```
&reg kprob=0,  
mode=0,  
icylin=0,  
dx=0.1,  
dy=0.1,  
rhogam=0.01,  
ienergy=1,  
stack=0.96&
```

```
&po x=80.000,y=60.000 &  
&po x=80,y=0 &  
&po x=-80,y=0 &  
&po x=-80,y=60 &  
&po x=80,y=60 &
```

```
&reg mat=2,mtid=1,cur=0 &  
&po x= 0.0000,y= 2.15000 &  
&po x=3.00,y= 2.15000 &  
&po x=3.00,y=2.12000 &  
&po x= 8.6000,y=2.12000 &  
&po x= 8.6000,y= 2.1500 &  
&po x= 12.600,y= 19.15000 &  
&po x=30,y= 19.15000 &  
&po x=30,y=0 &  
&po x= 44,y=0 &  
&po x= 44,y= 29.15 &  
&po x= 39,y= 34.15 &  
&po x=-39,y= 34.15 &  
&po x=-44,y=29.15 &  
&po x= -44,y=0 &  
&po x= -30,y= 0 &  
&po x=-30,y= 19.15 &  
&po x=-12.6,y=19.15 &  
&po x= -8.6,y=2.15 &  
&po x= -8.6,y=2.13 &  
&po x= -2.8,y=2.13 &  
&po x= -2.8,y=2.15 &  
&po x=0,y=2.15 &
```



```

&reg mat=1,cur=38988.8 &
&po x=13.1,y=2.8 &
&po x=29.1,y=2.8 &
&po x=29.1,y=18.8 &
&po x=13.1,y=18.8 &
&po x=13.1,y=2.8 &

```

```

&reg mat=1,cur=-38988.8 &
&po x=-13.1,y=2.8 &
&po x=-29.1,y=2.8 &
&po x=-29.1,y=18.8 &
&po x=-13.1,y=18.8 &
&po x=-13.1,y=2.8 &

```

```

&mt mtid=1 bh=
0          0
1000.000015      0.60802384
2010.00005 0.886193096
3000.000119      1.113769987
4009.999931      1.348585253
5000          1.58420471
6010.00011 1.837102926
7009.999752      2.100996717
8009.99999 2.381528448
9010.000229      2.680155592
10000         2.996061687
11000.00024      3.406730599
12000.00048      3.935837788
12999.99952      5.077065073
14010.00023      7.031965264
15010.00047      10.55165514
16000.00024      17.76417455
17000.00048      36.25266111
17999.99952      77.47328483
18990.00049      146.9664209 &

```

Appendix III

OPERA INPUT FILE (*.OPC)

```

1300 0 81 0
47 Vector Fields, OPERA-3d Modeller version 11.009 14 ACIS 15.0.4 NT 24 Mon Oct 09 11:38:49 2006
1 1.0000000000000001e-006 1e-010
body $81 -1 -1 $-1 $-1 $-1 F#
wcs $82 -1 0.97236992039767589 0 0.2334453638559052 0 1 0 -0.2334453638559052 0 0.97236992039767589 -232.90000000000001
0 0 1 rotate no_reflect no_shear #
wcs $83 -1 0.97029572627599636 0 0.2419218955996677 0 1 0 -0.2419218955996677 0 0.97029572627599636 -6.9181253503204516
0 56.343609485162609 1 rotate no_reflect no_shear #
wcs $84 -1 0.97029572627599636 0 -0.2419218955996677 0 1 0 0.2419218955996677 0 0.97029572627599636 -6.9181253503204516
0 -56.343609485162609 1 rotate no_reflect no_shear #
wcs $85 -1 0.97029572627599636 0 -0.2419218955996677 0 1 0 0.2419218955996677 0 0.97029572627599636 -6.9181253503204516
0 -56.343609485162609 1 rotate no_reflect no_shear #
wcs $86 -1 0.97029572627599636 0 0.2419218955996677 0 1 0 -0.2419218955996677 0 0.97029572627599636 -6.9181253503204516
0 56.343609485162609 1 rotate no_reflect no_shear #
wcs $87 -1 0.97029572627599636 0 -0.2419218955996677 0 1 0 0.2419218955996677 0 0.97029572627599636 -6.9181253503204516
0 -56.343609485162609 1 rotate no_reflect no_shear #
wcs $88 -1 0.97029572627599636 0 0.2419218955996677 0 1 0 -0.2419218955996677 0 0.97029572627599636 -6.9181253503204516
0 56.343609485162609 1 rotate no_reflect no_shear #
wcs $89 -1 0.97029572627599636 0 0.2419218955996677 0 1 0 -0.2419218955996677 0 0.97029572627599636 -6.9181253503204516
0 56.343609485162609 1 rotate no_reflect no_shear #
wcs $90 -1 0.97029572627599636 0 -0.2419218955996677 0 1 0 0.2419218955996677 0 0.97029572627599636 -6.9181253503204516
0 -56.343609485162609 1 rotate no_reflect no_shear #
wcs $91 -1 0.97029572627599636 0 0.2419218955996677 0 1 0 -0.2419218955996677 0 0.97029572627599636 -6.9181253503204516
0 56.343609485162609 1 rotate no_reflect no_shear #
wcs $92 -1 0.97029572627599636 0 0.2419218955996677 0 1 0 -0.2419218955996677 0 0.97029572627599636 -6.9181253503204516
0 56.343609485162609 1 rotate no_reflect no_shear #
wcs $93 -1 0.97029572627599636 0 0.2419218955996677 0 1 0 -0.2419218955996677 0 0.97029572627599636 -6.9181253503204516
0 56.343609485162609 1 rotate no_reflect no_shear #
wcs $94 -1 0.97029572627599636 0 0.2419218955996677 0 1 0 -0.2419218955996677 0 0.97029572627599636 -6.9181253503204516
0 56.343609485162609 1 rotate no_reflect no_shear #
wcs $95 -1 0.97029572627599636 0 0.2419218955996677 0 1 0 -0.2419218955996677 0 0.97029572627599636 -6.9181253503204516
0 56.343609485162609 1 rotate no_reflect no_shear #
wcs $96 -1 0.97029572627599636 0 -0.2419218955996677 0 1 0 0.2419218955996677 0 0.97029572627599636 -6.9181253503204516
0 -56.343609485162609 1 rotate no_reflect no_shear #
wcs $97 -1 0.97029572627599636 0 -0.2419218955996677 0 1 0 0.2419218955996677 0 0.97029572627599636 -6.9181253503204516
0 -56.343609485162609 1 rotate no_reflect no_shear #
wcs $98 -1 0.97029572627599636 0 0.2419218955996677 0 1 0 -0.2419218955996677 0 0.97029572627599636 -6.9181253503204516
0 56.343609485162609 1 rotate no_reflect no_shear #
wcs $99 -1 0.97029572627599636 0 -0.2419218955996677 0 1 0 0.2419218955996677 0 0.97029572627599636 -6.9181253503204516
0 -56.343609485162609 1 rotate no_reflect no_shear #
wcs $100 -1 0.97029572627599636 0 0.2419218955996677 0 1 0 -0.2419218955996677 0 0.97029572627599636 -
6.9181253503204516 0 56.343609485162609 1 rotate no_reflect no_shear #
wcs $101 -1 0.97029572627599636 0 -0.2419218955996677 0 1 0 0.2419218955996677 0 0.97029572627599636 -
6.9181253503204516 0 -56.343609485162609 1 rotate no_reflect no_shear #
wcs $102 -1 0.97029572627599636 0 0.2419218955996677 0 1 0 -0.2419218955996677 0 0.97029572627599636 -
6.9181253503204516 0 56.343609485162609 1 rotate no_reflect no_shear #
wcs $103 -1 0.97029572627599636 0 -0.2419218955996677 0 1 0 0.2419218955996677 0 0.97029572627599636 -
6.9181253503204516 0 -56.343609485162609 1 rotate no_reflect no_shear #
wcs $104 -1 6.1230317691118863e-017 1 0 -1 6.1230317691118863e-017 0 0 1 21.100000000000001 -10.800000000000001 0 1
rotate no_reflect no_shear #
wcs $105 -1 6.1230317691118863e-017 1 0 -1 6.1230317691118863e-017 0 0 1 20.690697060000002 -10.800000000000001 0 1
rotate no_reflect no_shear #
wcs $106 -1 6.1230317691118863e-017 1 0 -1 6.1230317691118863e-017 0 0 1 -21.100000000000001 -10.800000000000001 0 1
rotate no_reflect no_shear #
wcs $107 -1 6.1230317691118863e-017 0 -1 0 1 0 1 0 6.1230317691118863e-017 -5.733529099000001 -10.800000000000001 15 1
rotate no_reflect no_shear #
wcs $108 -1 6.1230317691118863e-017 0 -1 0 1 0 1 0 6.1230317691118863e-017 -5.733529099000001 -10.800000000000001 -15 1
rotate no_reflect no_shear #
wcs $109 -1 6.1230317691118863e-017 1 0 -1 6.1230317691118863e-017 0 0 1 20.690697060000002 -10.800000000000001 0 1
rotate no_reflect no_shear #
wcs $110 -1 -6.1230317691118863e-017 1 -2.4651903288156619e-032 1 6.1230317691118863e-017 1.2246063538223773e-016
1.224606353822377e-016 0 -1 -20.734028040000002 -10.800000000000001 0 1 rotate no_reflect no_shear #
wcs $111 -1 6.1230317691118863e-017 -1 0 1 6.1230317691118863e-017 0 0 1 -20.734028040000002 -10.800000000000001 0 1
rotate no_reflect no_shear #

```

```

wcs $112 -1 -6.1230317691118863e-017 1 -2.4651903288156619e-032 1 6.1230317691118863e-017 1.2246063538223773e-016
1.224606353822377e-016 0 -1 20.6906970600000002 -10.800000000000001 0 1 rotate no_reflect no_shear #
wcs $113 -1 -6.1230317691118863e-017 1 -2.4651903288156619e-032 1 6.1230317691118863e-017 1.2246063538223773e-016
1.224606353822377e-016 0 -1 20.6906970600000002 -10.800000000000001 0 1 rotate no_reflect no_shear #
wcs $114 -1 6.1230317691118863e-017 1 0 -1 6.1230317691118863e-017 0 0 0 1 -20.734028040000002 -10.800000000000001 0 1
rotate no_reflect no_shear #
wcs $115 -1 6.1230317691118863e-017 1 0 -1 6.1230317691118863e-017 0 0 0 1 -20.734028040000002 -10.800000000000001 0 1
rotate no_reflect no_shear #
body $116 -1 -1 $-1 $117 $-1 $-1 T -34.90255361194221 -1.7763568394002505e-015 0 30 19.150000000000205 61.154696222063265
#
body $118 -1 -1 $-1 $119 $-1 $-1 T -48.902553611942238 0 0 44 34.150000000000034 61.154696222063102 #
body $120 -1 -1 $-1 $121 $-1 $-1 T -14.574787690284523 -8.8817841970012523e-016 0 8.599999999999996 2.150000000000004
56.319564344979476 #
body $122 -1 -1 $-1 $123 $-1 $-1 T -80 0 0 80 80 160 #
body $124 -1 -1 $-1 $125 $-1 $-1 T -44.846720713508006 -1.7763568394002505e-015 47.534981229876706 21.862837159370077
19.150000000000006 100.05748214615421 #
body $126 -1 -1 $-1 $127 $-1 $-1 F #
transform $128 -1 1 0 0 0 1 0 0 0 0.20000000000000001 0 1 no_rotate no_reflect no_shear #
transform $129 -1 1 0 0 0 1 0 0 0 -0.20000000000000001 0 1 no_rotate no_reflect no_shear #
transform $130 -1 1 0 0 0 1 0 0 0 0.20000000000000001 0 1 no_rotate no_reflect no_shear #
transform $131 -1 1 0 0 0 1 0 0 0 -0.20000000000000001 0 1 no_rotate no_reflect no_shear #
transform $132 -1 1 0 0 0 1 0 0 0 0.40000000000000002 0 1 no_rotate no_reflect no_shear #
transform $133 -1 1 0 0 0 1 0 0 0 -0.40000000000000002 0 1 no_rotate no_reflect no_shear #
transform $134 -1 1 0 0 0 1 0 0 0 0.40000000000000002 0 1 no_rotate no_reflect no_shear #
transform $135 -1 1 0 0 0 1 0 0 0 -0.40000000000000002 0 1 no_rotate no_reflect no_shear #
transform $136 -1 1 0 0 0 1 0 0 0 0.60000000000000009 0 1 no_rotate no_reflect no_shear #
transform $137 -1 1 0 0 0 1 0 0 0 -0.60000000000000009 0 1 no_rotate no_reflect no_shear #
transform $138 -1 1 0 0 0 1 0 0 0 0.60000000000000009 0 1 no_rotate no_reflect no_shear #
transform $139 -1 1 0 0 0 1 0 0 0 -0.60000000000000009 0 1 no_rotate no_reflect no_shear #
transform $140 -1 1 0 0 0 1 0 0 0 0.80000000000000004 0 1 no_rotate no_reflect no_shear #
transform $141 -1 1 0 0 0 1 0 0 0 -0.80000000000000004 0 1 no_rotate no_reflect no_shear #
transform $142 -1 1 0 0 0 1 0 0 0 0.80000000000000004 0 1 no_rotate no_reflect no_shear #
transform $143 -1 1 0 0 0 1 0 0 0 -0.80000000000000004 0 1 no_rotate no_reflect no_shear #
transform $144 -1 1 0 0 0 1 0 0 0 1 0 1 no_rotate no_reflect no_shear #
transform $145 -1 1 0 0 0 1 0 0 0 -1 0 1 no_rotate no_reflect no_shear #
transform $146 -1 1 0 0 0 1 0 0 0 1 0 1 no_rotate no_reflect no_shear #
transform $147 -1 1 0 0 0 1 0 0 0 -1 0 1 no_rotate no_reflect no_shear #
transform $148 -1 1 0 0 0 1 0 0 0 1.2 0 1 no_rotate no_reflect no_shear #
transform $149 -1 1 0 0 0 1 0 0 0 -1.2 0 1 no_rotate no_reflect no_shear #
transform $150 -1 1 0 0 0 1 0 0 0 1.2 0 1 no_rotate no_reflect no_shear #
transform $151 -1 1 0 0 0 1 0 0 0 -1.2 0 1 no_rotate no_reflect no_shear #
transform $152 -1 1 0 0 0 1 0 0 0 1.3999999999999999 0 1 no_rotate no_reflect no_shear #
transform $153 -1 1 0 0 0 1 0 0 0 -1.3999999999999999 0 1 no_rotate no_reflect no_shear #
transform $154 -1 1 0 0 0 1 0 0 0 1.3999999999999999 0 1 no_rotate no_reflect no_shear #
transform $155 -1 1 0 0 0 1 0 0 0 -1.3999999999999999 0 1 no_rotate no_reflect no_shear #
transform $156 -1 1 0 0 0 1 0 0 0 1.5999999999999999 0 1 no_rotate no_reflect no_shear #
transform $157 -1 1 0 0 0 1 0 0 0 -1.5999999999999999 0 1 no_rotate no_reflect no_shear #
transform $158 -1 1 0 0 0 1 0 0 0 1.5999999999999999 0 1 no_rotate no_reflect no_shear #
transform $159 -1 1 0 0 0 1 0 0 0 -1.5999999999999999 0 1 no_rotate no_reflect no_shear #
transform $160 -1 1 0 0 0 1 0 0 0 1.7999999999999998 0 1 no_rotate no_reflect no_shear #
transform $161 -1 1 0 0 0 1 0 0 0 -1.7999999999999998 0 1 no_rotate no_reflect no_shear #
transform $162 -1 1 0 0 0 1 0 0 0 1.7999999999999998 0 1 no_rotate no_reflect no_shear #
transform $163 -1 1 0 0 0 1 0 0 0 -1.7999999999999998 0 1 no_rotate no_reflect no_shear #
transform $164 -1 1 0 0 0 1 0 0 0 1.9999999999999998 0 1 no_rotate no_reflect no_shear #
transform $165 -1 1 0 0 0 1 0 0 0 -1.9999999999999998 0 1 no_rotate no_reflect no_shear #
transform $166 -1 1 0 0 0 1 0 0 0 1.9999999999999998 0 1 no_rotate no_reflect no_shear #
transform $167 -1 1 0 0 0 1 0 0 0 -1.9999999999999998 0 1 no_rotate no_reflect no_shear #
string_attrib-name_attrib-gen-attrib $-1 -1 $168 $-1 $0 keep keep_kept ignore copy @14 VF_COLOUR_DATA @52
8:NAME=1849:VERSION=215>List=SymmetryBC10:Label=None #
integer_attrib-name_attrib-gen-attrib $-1 -1 $169 $-1 $1 lose lose lose copy @10 VF_DISPLAY 88 #
integer_attrib-name_attrib-gen-attrib $-1 -1 $170 $-1 $2 lose lose lose copy @10 VF_DISPLAY 90 #
integer_attrib-name_attrib-gen-attrib $-1 -1 $171 $-1 $3 lose lose lose copy @10 VF_DISPLAY 91 #
integer_attrib-name_attrib-gen-attrib $-1 -1 $172 $-1 $4 lose lose lose copy @10 VF_DISPLAY 92 #
integer_attrib-name_attrib-gen-attrib $-1 -1 $173 $-1 $5 lose lose lose copy @10 VF_DISPLAY 95 #
integer_attrib-name_attrib-gen-attrib $-1 -1 $174 $-1 $6 lose lose lose copy @10 VF_DISPLAY 96 #
integer_attrib-name_attrib-gen-attrib $-1 -1 $175 $-1 $7 lose lose lose copy @10 VF_DISPLAY 94 #
integer_attrib-name_attrib-gen-attrib $-1 -1 $176 $-1 $8 lose lose lose copy @10 VF_DISPLAY 97 #
integer_attrib-name_attrib-gen-attrib $-1 -1 $177 $-1 $9 lose lose lose copy @10 VF_DISPLAY 98 #
integer_attrib-name_attrib-gen-attrib $-1 -1 $178 $-1 $10 lose lose lose copy @10 VF_DISPLAY 99 #
integer_attrib-name_attrib-gen-attrib $-1 -1 $179 $-1 $11 lose lose lose copy @10 VF_DISPLAY 215 #
integer_attrib-name_attrib-gen-attrib $-1 -1 $180 $-1 $12 lose lose lose copy @10 VF_DISPLAY 217 #
integer_attrib-name_attrib-gen-attrib $-1 -1 $181 $-1 $13 lose lose lose copy @10 VF_DISPLAY 219 #

```

```

integer_attrib-name_attrib-gen-attrib $-1 -1 $182 $-1 $14 lose lose lose copy @10 VF_DISPLAY 221 #
integer_attrib-name_attrib-gen-attrib $-1 -1 $183 $-1 $15 lose lose lose copy @10 VF_DISPLAY 223 #
integer_attrib-name_attrib-gen-attrib $-1 -1 $184 $-1 $16 lose lose lose copy @10 VF_DISPLAY 225 #
integer_attrib-name_attrib-gen-attrib $-1 -1 $185 $-1 $17 lose lose lose copy @10 VF_DISPLAY 227 #
integer_attrib-name_attrib-gen-attrib $-1 -1 $186 $-1 $18 lose lose lose copy @10 VF_DISPLAY 229 #
integer_attrib-name_attrib-gen-attrib $-1 -1 $187 $-1 $19 lose lose lose copy @10 VF_DISPLAY 231 #
integer_attrib-name_attrib-gen-attrib $-1 -1 $188 $-1 $20 lose lose lose copy @10 VF_DISPLAY 233 #
integer_attrib-name_attrib-gen-attrib $-1 -1 $189 $-1 $21 lose lose lose copy @10 VF_DISPLAY 235 #
integer_attrib-name_attrib-gen-attrib $-1 -1 $190 $-1 $22 lose lose lose copy @10 VF_DISPLAY 237 #
string_attrib-name_attrib-gen-attrib $-1 -1 $191 $-1 $23 keep keep_kept ignore copy @14 VF_COLOUR_DATA @65
8:NAME=1839:VERSION=29:List=CLCS30:Label=Global coordinate system #
string_attrib-name_attrib-gen-attrib $-1 -1 $192 $-1 $24 keep keep_kept ignore copy @14 VF_COLOUR_DATA @66
8:NAME=2209:VERSION=29:List=CLCS31:Label=Local Coordinate System13 #
string_attrib-name_attrib-gen-attrib $-1 -1 $193 $-1 $25 keep keep_kept ignore copy @14 VF_COLOUR_DATA @65
8:NAME=1839:VERSION=29:List=CLCS30:Label=Global coordinate system #
string_attrib-name_attrib-gen-attrib $-1 -1 $194 $-1 $26 keep keep_kept ignore copy @14 VF_COLOUR_DATA @66
8:NAME=2189:VERSION=29:List=CLCS31:Label=Local Coordinate System12 #
string_attrib-name_attrib-gen-attrib $-1 -1 $195 $-1 $27 keep keep_kept ignore copy @14 VF_COLOUR_DATA @66
8:NAME=2269:VERSION=29:List=CLCS31:Label=Local Coordinate System16 #
string_attrib-name_attrib-gen-attrib $-1 -1 $196 $-1 $28 keep keep_kept ignore copy @14 VF_COLOUR_DATA @66
8:NAME=2249:VERSION=29:List=CLCS31:Label=Local Coordinate System15 #
string_attrib-name_attrib-gen-attrib $-1 -1 $197 $-1 $29 keep keep_kept ignore copy @14 VF_COLOUR_DATA @66
8:NAME=2309:VERSION=29:List=CLCS31:Label=Local Coordinate System17 #
string_attrib-name_attrib-gen-attrib $-1 -1 $198 $-1 $30 keep keep_kept ignore copy @14 VF_COLOUR_DATA @67
8:NAME=2289:VERSION=29:List=CLCS32:Label=Local Coordinate System141 #
string_attrib-name_attrib-gen-attrib $-1 -1 $199 $-1 $31 keep keep_kept ignore copy @14 VF_COLOUR_DATA @66
8:NAME=2329:VERSION=29:List=CLCS31:Label=Local Coordinate System18 #
string_attrib-name_attrib-gen-attrib $-1 -1 $200 $-1 $32 keep keep_kept ignore copy @14 VF_COLOUR_DATA @66
8:NAME=2349:VERSION=29:List=CLCS31:Label=Local Coordinate System19 #
string_attrib-name_attrib-gen-attrib $-1 -1 $201 $-1 $33 keep keep_kept ignore copy @14 VF_COLOUR_DATA @66
8:NAME=2369:VERSION=29:List=CLCS31:Label=Local Coordinate System20 #
string_attrib-name_attrib-gen-attrib $-1 -1 $202 $-1 $34 keep keep_kept ignore copy @14 VF_COLOUR_DATA @66
8:NAME=2389:VERSION=29:List=CLCS31:Label=Local Coordinate System21 #
string_attrib-name_attrib-gen-attrib $-1 -1 $203 $-1 $35 custom custom ignore copy @9 _VF_DATA_ @146
12:ENTITYTYPE=19:VERSION=216:Name=aria bobine22:UniqueName=aria
bobine17:ModelPart=Default16:VectorsValidId=913:GeomValidId=818:ColoursValidId=107 #
lump $204 -1 -1 $-1 $205 $206 $35 T -34.90255361194221 -1.7763568394002505e-015 0 -8.5999999999999943 19.1500000000000205
52.415246047219384 #
string_attrib-name_attrib-gen-attrib $-1 -1 $207 $-1 $36 custom custom ignore copy @9 _VF_DATA_ @135
12:ENTITYTYPE=19:VERSION=210:Name=ferro16:UniqueName=ferro17:ModelPart=Default17:VectorsValidId=1013:GeomValidId
=918:ColoursValidId=108 #
lump $208 -1 -1 $-1 $-1 $209 $36 T -48.902553611942238 0 0 44 34.1500000000000034 61.154696222063102 #
string_attrib-name_attrib-gen-attrib $-1 -1 $210 $-1 $37 custom custom ignore copy @9 _VF_DATA_ @142
12:ENTITYTYPE=19:VERSION=213:Name=aria GFR19:UniqueName=aria
GFR17:ModelPart=Default17:VectorsValidId=1114:GeomValidId=1018:ColoursValidId=109 #
lump $211 -1 -1 $-1 $-1 $212 $37 T -14.574787690284523 -8.8817841970012523e-016 0 8.5999999999999996 2.1500000000000004
56.319564344979476 #
string_attrib-name_attrib-gen-attrib $-1 -1 $213 $-1 $38 custom custom ignore copy @9 _VF_DATA_ @150
12:ENTITYTYPE=19:VERSION=217:Name=aria esterna23:UniqueName=aria
esterna17:ModelPart=Default17:VectorsValidId=1214:GeomValidId=1118:ColoursValidId=110 #
lump $214 -1 -1 $-1 $-1 $215 $38 T -80 0 0 80 80 160 #
string_attrib-name_attrib-gen-attrib $-1 -1 $216 $-1 $39 custom custom ignore copy @9 _VF_DATA_ @150
12:ENTITYTYPE=19:VERSION=217:Name=aria testata23:UniqueName=aria
testata17:ModelPart=Default17:VectorsValidId=1314:GeomValidId=1218:ColoursValidId=111 #
lump $217 -1 -1 $-1 $-1 $218 $39 T -44.846720713508006 -1.7763568394002505e-015 47.534981229876706 21.862837159370077
19.1500000000000006 100.05748214615421 #
string_attrib-name_attrib-gen-attrib $-1 -1 $219 $-1 $40 keep keep_kept ignore copy @15 VF_BH CURVE_DATA @840
22:NAME=stabocor 1200-
1009:VERSION=19:UNITSET=13:B=019:B=0.1000000149011618:B=0.2010000050067920:B=0.300000011920929120:B=0.400999
99308586115:B=0.519:B=0.60100001096725420:B=0.700999975204467119:B=0.80099999904632520:B=0.90100002288818323:B=1
18:B=1.1000000238418518:B=1.2000000476837118:B=1.2999999523162818:B=1.4010000228881818:B=1.5010000467300418:B=1.
6000000238418518:B=1.7000000476837118:B=1.7999999523162818:B=1.899000048637393:H=018:H=48.384998321533218:H=70.
521003723144519:H=88.6309967041015118:H=107.31700134277318:H=126.06700134277318:H=146.19200134277318:H=167.1920
0134277318:H=189.51600646972618:H=213.27999877929618:H=238.41900634765618:H=271.09899902343719:H=313.2040100097
65118:H=404.01998901367119:H=559.58599853515619:H=839.674011230468118:H=1413.6280517578119:H=2884.895019531251
17:H=6165.127929687518:H=11695.2158203125 #
lump $220 -1 -1 $-1 $-1 $221 $40 F #
string_attrib-name_attrib-gen-attrib $-1 -1 $222 $-1 $41 keep keep_kept ignore copy @10 VF_PR_FACE @9 0,98,21,0 #
integer_attrib-name_attrib-gen-attrib $-1 -1 $223 $-1 $42 copy keep_all ignore copy @10 VF_TR_BACK 0 #
integer_attrib-name_attrib-gen-attrib $-1 -1 $224 $-1 $43 copy keep_all ignore copy @13 VF_TR_FORWARD 0 #
integer_attrib-name_attrib-gen-attrib $-1 -1 $225 $-1 $44 copy keep_all ignore copy @10 VF_TR_BACK 0 #
string_attrib-name_attrib-gen-attrib $-1 -1 $226 $-1 $45 keep keep_kept ignore copy @10 VF_PR_FACE @9 1,98,50,2 #

```



```

string_attrib-name_attrib-gen-attrb $-1 -1 $291 $110 $29 keep keep_kept ignore copy @14 VF_COLOUR_DATA @47
7:NAME=209:VERSION=213:List=Coiltype9:Label=ARC #
string_attrib-name_attrib-gen-attrb $-1 -1 $292 $111 $30 keep keep_kept ignore copy @14 VF_COLOUR_DATA @47
7:NAME=209:VERSION=213:List=Coiltype9:Label=ARC #
string_attrib-name_attrib-gen-attrb $-1 -1 $293 $112 $31 keep keep_kept ignore copy @14 VF_COLOUR_DATA @47
7:NAME=209:VERSION=213:List=Coiltype9:Label=ARC #
string_attrib-name_attrib-gen-attrb $-1 -1 $294 $113 $32 keep keep_kept ignore copy @14 VF_COLOUR_DATA @47
7:NAME=209:VERSION=213:List=Coiltype9:Label=ARC #
string_attrib-name_attrib-gen-attrb $-1 -1 $295 $114 $33 keep keep_kept ignore copy @14 VF_COLOUR_DATA @47
7:NAME=209:VERSION=213:List=Coiltype9:Label=ARC #
string_attrib-name_attrib-gen-attrb $-1 -1 $296 $115 $34 keep keep_kept ignore copy @14 VF_COLOUR_DATA @47
7:NAME=209:VERSION=213:List=Coiltype9:Label=ARC #
integer_attrib-name_attrib-gen-attrb $-1 -1 $-1 $116 $35 lose lose ignore keep @15 VF_ID_NUM_LOCAL 1 #
cell_ptr-ct-attrb $-1 -1 $-1 $117 $297 $-1 auto #
lump $298 -1 -1 $-1 $1299 $35 T 1.687868417735416 -1.7763568394002505e-015 0 30 19.150000000000134 61.154696222063265
#
shell $-1 -1 -1 $-1 $117 T -34.90255361194221 -1.7763568394002505e-015 0 -8.5999999999999943
19.150000000000205 52.415246047219384 #
integer_attrib-name_attrib-gen-attrb $-1 -1 $-1 $118 $36 lose lose ignore keep @15 VF_ID_NUM_LOCAL 2 #
cell_ptr-ct-attrb $-1 -1 $-1 $119 $301 $-1 auto #
shell $-1 -1 -1 $-1 $119 T -48.902553611942238 0 0 44 34.150000000000034 61.154696222063102 #
integer_attrib-name_attrib-gen-attrb $-1 -1 $-1 $120 $37 lose lose ignore keep @15 VF_ID_NUM_LOCAL 3 #
cell_ptr-ct-attrb $-1 -1 $-1 $121 $303 $-1 auto #
shell $-1 -1 -1 $-1 $121 T -14.574787690284523 -8.8817841970012523e-016 0 8.599999999999996
2.150000000000004 56.319564344979476 #
integer_attrib-name_attrib-gen-attrb $-1 -1 $-1 $122 $38 lose lose ignore keep @15 VF_ID_NUM_LOCAL 4 #
cell_ptr-ct-attrb $-1 -1 $-1 $123 $305 $-1 auto #
shell $-1 -1 -1 $-1 $123 T -80 0 0 80 80 160 #
integer_attrib-name_attrib-gen-attrb $-1 -1 $-1 $124 $39 lose lose ignore keep @15 VF_ID_NUM_LOCAL 5 #
cell_ptr-ct-attrb $-1 -1 $-1 $125 $307 $-1 auto #
shell $-1 -1 -1 $-1 $125 T -44.846720713508006 -1.7763568394002505e-015 47.534981229876706
21.862837159370077 19.150000000000006 100.05748214615421 #
string_attrib-name_attrib-gen-attrb $-1 -1 $309 $126 $40 keep keep_kept ignore copy @14 VF_COLOUR_DATA @52
8:NAME=1849:VERSION=215:List=SymmetryBC10:Label=None #
cell_ptr-ct-attrb $-1 -1 $-1 $127 $310 $-1 auto #
shell $-1 -1 -1 $-1 $127 F #
string_attrib-name_attrib-gen-attrb $-1 -1 $312 $128 $41 keep keep_kept ignore copy @10 VF_PR_EDGE @9 0,163,4,0 #
integer_attrib-name_attrib-gen-attrb $-1 -1 $-1 $129 $42 copy keep_all ignore copy @8 VF_TR_ID 0 #
integer_attrib-name_attrib-gen-attrb $-1 -1 $313 $130 $43 copy keep_all ignore copy @8 VF_TR_ID 1 #
integer_attrib-name_attrib-gen-attrb $-1 -1 $-1 $131 $44 copy keep_all ignore copy @8 VF_TR_ID 1 #
string_attrib-name_attrib-gen-attrb $-1 -1 $314 $132 $45 keep keep_kept ignore copy @10 VF_PR_EDGE @10 4,164,64,2 #
integer_attrib-name_attrib-gen-attrb $-1 -1 $-1 $133 $46 copy keep_all ignore copy @8 VF_TR_ID 2 #
integer_attrib-name_attrib-gen-attrb $-1 -1 $315 $134 $47 copy keep_all ignore copy @8 VF_TR_ID 3 #
integer_attrib-name_attrib-gen-attrb $-1 -1 $-1 $135 $48 copy keep_all ignore copy @8 VF_TR_ID 3 #
string_attrib-name_attrib-gen-attrb $-1 -1 $316 $136 $49 keep keep_kept ignore copy @10 VF_PR_EDGE @11 8,164,113,4 #
integer_attrib-name_attrib-gen-attrb $-1 -1 $-1 $137 $50 copy keep_all ignore copy @8 VF_TR_ID 4 #
integer_attrib-name_attrib-gen-attrb $-1 -1 $317 $138 $51 copy keep_all ignore copy @8 VF_TR_ID 5 #
integer_attrib-name_attrib-gen-attrb $-1 -1 $-1 $139 $52 copy keep_all ignore copy @8 VF_TR_ID 5 #
string_attrib-name_attrib-gen-attrb $-1 -1 $318 $140 $53 keep keep_kept ignore copy @10 VF_PR_EDGE @12 12,164,121,6 #
integer_attrib-name_attrib-gen-attrb $-1 -1 $-1 $141 $54 copy keep_all ignore copy @8 VF_TR_ID 6 #
integer_attrib-name_attrib-gen-attrb $-1 -1 $319 $142 $55 copy keep_all ignore copy @8 VF_TR_ID 7 #
integer_attrib-name_attrib-gen-attrb $-1 -1 $-1 $143 $56 copy keep_all ignore copy @8 VF_TR_ID 7 #
string_attrib-name_attrib-gen-attrb $-1 -1 $320 $144 $57 keep keep_kept ignore copy @10 VF_PR_EDGE @12 16,164,129,8 #
integer_attrib-name_attrib-gen-attrb $-1 -1 $-1 $145 $58 copy keep_all ignore copy @8 VF_TR_ID 8 #
integer_attrib-name_attrib-gen-attrb $-1 -1 $321 $146 $59 copy keep_all ignore copy @8 VF_TR_ID 9 #
integer_attrib-name_attrib-gen-attrb $-1 -1 $-1 $147 $60 copy keep_all ignore copy @8 VF_TR_ID 9 #
string_attrib-name_attrib-gen-attrb $-1 -1 $322 $148 $61 keep keep_kept ignore copy @10 VF_PR_EDGE @13 20,164,137,10 #
integer_attrib-name_attrib-gen-attrb $-1 -1 $-1 $149 $62 copy keep_all ignore copy @8 VF_TR_ID 10 #
integer_attrib-name_attrib-gen-attrb $-1 -1 $323 $150 $63 copy keep_all ignore copy @8 VF_TR_ID 11 #
integer_attrib-name_attrib-gen-attrb $-1 -1 $-1 $151 $64 copy keep_all ignore copy @8 VF_TR_ID 11 #
string_attrib-name_attrib-gen-attrb $-1 -1 $324 $152 $65 keep keep_kept ignore copy @10 VF_PR_EDGE @13 24,164,145,12 #
integer_attrib-name_attrib-gen-attrb $-1 -1 $-1 $153 $66 copy keep_all ignore copy @8 VF_TR_ID 12 #
integer_attrib-name_attrib-gen-attrb $-1 -1 $325 $154 $67 copy keep_all ignore copy @8 VF_TR_ID 13 #
integer_attrib-name_attrib-gen-attrb $-1 -1 $-1 $155 $68 copy keep_all ignore copy @8 VF_TR_ID 13 #
string_attrib-name_attrib-gen-attrb $-1 -1 $326 $156 $69 keep keep_kept ignore copy @10 VF_PR_EDGE @13 28,164,153,14 #
integer_attrib-name_attrib-gen-attrb $-1 -1 $-1 $157 $70 copy keep_all ignore copy @8 VF_TR_ID 14 #
integer_attrib-name_attrib-gen-attrb $-1 -1 $327 $158 $71 copy keep_all ignore copy @8 VF_TR_ID 15 #
integer_attrib-name_attrib-gen-attrb $-1 -1 $-1 $159 $72 copy keep_all ignore copy @8 VF_TR_ID 15 #
string_attrib-name_attrib-gen-attrb $-1 -1 $328 $160 $73 keep keep_kept ignore copy @10 VF_PR_EDGE @13 32,105,166,16 #
integer_attrib-name_attrib-gen-attrb $-1 -1 $-1 $161 $74 copy keep_all ignore copy @8 VF_TR_ID 16 #
integer_attrib-name_attrib-gen-attrb $-1 -1 $329 $162 $75 copy keep_all ignore copy @8 VF_TR_ID 17 #
integer_attrib-name_attrib-gen-attrb $-1 -1 $-1 $163 $76 copy keep_all ignore copy @8 VF_TR_ID 17 #

```



```

string_attrib-name_attrib-gen-attrb $-1 -1 $344 $202 $34 keep keep_kept ignore copy @14 VF_COLOUR_DATA @61
8:NAME=1829:VERSION=215>List=DriveLabel19:Label=Default drive #
cell3d-cell $345 -1 $-1 $117 $-1 1 $346 #
cell_ptr-ct-attrb $-1 -1 $-1 $-1 $205 $347 $-1 auto #
shell $-1 -1 -1 $-1 $-1 $348 $-1 $205 T 1.687868417735416 -1.7763568394002505e-015 0 30 19.150000000000134
61.154696222063265 #
face $349 -1 -1 $-1 $350 $351 $206 $-1 $352 forward single T -34.90255361194221 -1.7763568394002505e-015 47.534981229876706
-14.574787690284438 19.150000000000205 52.415246047219384 F #
cell3d-cell $353 -1 $-1 $119 $-1 1 $354 #
face $355 -1 -1 $-1 $356 $357 $209 $-1 $358 forward single T -48.902553611942238 0 47.534981229876706 -34.902553611942167
34.150000000000034 47.534981229876706 F #
cell3d-cell $359 -1 $-1 $121 $-1 1 $360 #
face $361 -1 -1 $-1 $362 $363 $212 $-1 $364 forward single T -14.574787690284523 -8.8817841970012523e-016
52.415246047219362 1.6878684177354177 2.1499999999999999 56.319564344979469 F #
cell3d-cell $365 -1 $-1 $123 $-1 1 $366 #
face $367 -1 -1 $-1 $368 $369 $215 $-1 $370 forward single T -44.846720713508006 19.150000000000002 47.534981229876706
21.862837159370077 19.150000000000006 100.05748214615421 F #
cell3d-cell $371 -1 $-1 $125 $-1 1 $372 #
face $373 -1 -1 $-1 $374 $375 $218 $-1 $376 reversed single T -35.543854992528225 0 47.534981229876706 -34.902553611942167
19.150000000000006 47.534981229876706 F #
string_attrib-name_attrib-gen-attrb $-1 -1 $377 $219 $40 keep keep_kept ignore copy @14 VF_COLOUR_DATA @57
8:NAME=1859:VERSION=215>List=UniqueName15:Label=ModelBody #
cell3d-cell $378 -1 $379 $127 $-1 1 $380 #
face $381 -1 -1 $-1 $382 $383 $221 $-1 $384 reversed double in T -14.574787690284527 0.19999999999999929 0
8.599999999999996 0.2000000000000018 56.319564344979476 F #
string_attrib-name_attrib-gen-attrb $-1 -1 $385 $222 $41 keep keep_kept ignore copy @10 VF_PR_EDGE @9 1,161,5,0 #
string_attrib-name_attrib-gen-attrb $-1 -1 $-1 $224 $43 keep keep_kept ignore copy @10 VF_TR_DATA @16 1,2,2,0,1,-1,0,0 #
string_attrib-name_attrib-gen-attrb $-1 -1 $386 $226 $45 keep keep_kept ignore copy @10 VF_PR_EDGE @11 5,163,108,2 #
string_attrib-name_attrib-gen-attrb $-1 -1 $-1 $228 $47 keep keep_kept ignore copy @10 VF_TR_DATA @16 3,2,2,0,1,-1,0,0 #
string_attrib-name_attrib-gen-attrb $-1 -1 $387 $230 $49 keep keep_kept ignore copy @10 VF_PR_EDGE @11 9,163,116,4 #
string_attrib-name_attrib-gen-attrb $-1 -1 $-1 $232 $51 keep keep_kept ignore copy @10 VF_TR_DATA @16 5,2,2,0,1,-1,0,0 #
string_attrib-name_attrib-gen-attrb $-1 -1 $388 $234 $53 keep keep_kept ignore copy @10 VF_PR_EDGE @12 13,163,124,6 #
string_attrib-name_attrib-gen-attrb $-1 -1 $-1 $236 $55 keep keep_kept ignore copy @10 VF_TR_DATA @16 7,2,2,0,1,-1,0,0 #
string_attrib-name_attrib-gen-attrb $-1 -1 $389 $238 $57 keep keep_kept ignore copy @10 VF_PR_EDGE @12 17,163,132,8 #
string_attrib-name_attrib-gen-attrb $-1 -1 $-1 $240 $59 keep keep_kept ignore copy @10 VF_TR_DATA @16 9,2,2,0,1,-1,0,0 #
string_attrib-name_attrib-gen-attrb $-1 -1 $390 $242 $61 keep keep_kept ignore copy @10 VF_PR_EDGE @13 21,163,140,10 #
string_attrib-name_attrib-gen-attrb $-1 -1 $-1 $244 $63 keep keep_kept ignore copy @10 VF_TR_DATA @17 11,2,2,0,1,-1,0,0 #
string_attrib-name_attrib-gen-attrb $-1 -1 $391 $246 $65 keep keep_kept ignore copy @10 VF_PR_EDGE @13 25,163,148,12 #
string_attrib-name_attrib-gen-attrb $-1 -1 $-1 $248 $67 keep keep_kept ignore copy @10 VF_TR_DATA @17 13,2,2,0,1,-1,0,0 #
string_attrib-name_attrib-gen-attrb $-1 -1 $392 $250 $69 keep keep_kept ignore copy @10 VF_PR_EDGE @13 29,163,156,14 #
string_attrib-name_attrib-gen-attrb $-1 -1 $-1 $252 $71 keep keep_kept ignore copy @10 VF_TR_DATA @17 15,2,2,0,1,-1,0,0 #
string_attrib-name_attrib-gen-attrb $-1 -1 $393 $254 $73 keep keep_kept ignore copy @10 VF_PR_EDGE @13 33,163,168,16 #
string_attrib-name_attrib-gen-attrb $-1 -1 $-1 $256 $75 keep keep_kept ignore copy @10 VF_TR_DATA @17 17,2,2,0,1,-1,0,0 #
string_attrib-name_attrib-gen-attrb $-1 -1 $394 $258 $77 keep keep_kept ignore copy @10 VF_PR_EDGE @13 37,161,175,18 #
string_attrib-name_attrib-gen-attrb $-1 -1 $-1 $260 $79 keep keep_kept ignore copy @10 VF_TR_DATA @17 19,2,2,0,1,-1,0,0 #
string_attrib-name_attrib-gen-attrb $-1 -1 $395 $262 $0 keep keep_kept ignore copy @14 VF_COLOUR_DATA @67
8:NAME=2289:VERSION=29>List=CLCS32:Label=Local Coordinate System141 #
string_attrib-name_attrib-gen-attrb $-1 -1 $396 $285 $23 keep keep_kept ignore copy @13 VF_DRIVE_DATA @32
18:NAME=Default drive9:VERSION=1 #
string_attrib-name_attrib-gen-attrb $-1 -1 $397 $286 $24 keep keep_kept ignore copy @13 VF_DRIVE_DATA @32
18:NAME=Default drive9:VERSION=1 #
string_attrib-name_attrib-gen-attrb $-1 -1 $398 $287 $25 keep keep_kept ignore copy @13 VF_DRIVE_DATA @32
18:NAME=Default drive9:VERSION=1 #
string_attrib-name_attrib-gen-attrb $-1 -1 $399 $288 $26 keep keep_kept ignore copy @13 VF_DRIVE_DATA @32
18:NAME=Default drive9:VERSION=1 #
string_attrib-name_attrib-gen-attrb $-1 -1 $400 $289 $27 keep keep_kept ignore copy @13 VF_DRIVE_DATA @32
18:NAME=Default drive9:VERSION=1 #
string_attrib-name_attrib-gen-attrb $-1 -1 $401 $290 $28 keep keep_kept ignore copy @13 VF_DRIVE_DATA @32
18:NAME=Default drive9:VERSION=1 #
string_attrib-name_attrib-gen-attrb $-1 -1 $402 $291 $29 keep keep_kept ignore copy @13 VF_DRIVE_DATA @32
18:NAME=Default drive9:VERSION=1 #
string_attrib-name_attrib-gen-attrb $-1 -1 $403 $292 $30 keep keep_kept ignore copy @13 VF_DRIVE_DATA @32
18:NAME=Default drive9:VERSION=1 #
string_attrib-name_attrib-gen-attrb $-1 -1 $404 $293 $31 keep keep_kept ignore copy @13 VF_DRIVE_DATA @32
18:NAME=Default drive9:VERSION=1 #
string_attrib-name_attrib-gen-attrb $-1 -1 $405 $294 $32 keep keep_kept ignore copy @13 VF_DRIVE_DATA @32
18:NAME=Default drive9:VERSION=1 #
string_attrib-name_attrib-gen-attrb $-1 -1 $406 $295 $33 keep keep_kept ignore copy @13 VF_DRIVE_DATA @32
18:NAME=Default drive9:VERSION=1 #
string_attrib-name_attrib-gen-attrb $-1 -1 $407 $296 $34 keep keep_kept ignore copy @13 VF_DRIVE_DATA @32
18:NAME=Default drive9:VERSION=1 #
integer_attrib-name_attrib-gen-attrb $-1 -1 $408 $-1 $297 lose lose ignore keep @15 VF_ID_NUM_LOCAL 2 #

```



```

cshell $-1 -1 $-1 $409 $297 #
cell3d-cell $410 -1 $-1 $205 $-1 1 $411 #
face $412 -1 -1 $-1 $413 $414 $299 $-1 $415 reversed single T 1.687868417735416 2.149999999999915 0 12.599999999999994
19.150000000000134 57.225229136680909 F #
integer_attrib-name_attrib-gen-attrib $-1 -1 $416 $-1 $300 lose lose ignore keep @15 VF_ID_NUM_LOCAL 2 #
face $417 -1 -1 $-1 $418 $419 $206 $-1 $420 reversed single T -34.90255361194221 19.150000000000006 0 -12.599999999999994
19.150000000000006 51.504948839962623 F #
loop $-1 -1 -1 $-1 $421 $300 T -34.90255361194221 -1.7763568394002505e-015 47.534981229876706 -14.574787690284438
19.150000000000205 52.415246047219384 unknown #
plane-surface $-1 -1 -1 $-1 -71.049026749806728 30 38.856980813815447 -0.23344536385590536 0 0.97236992039767656
0.97236992039767656 0 0.23344536385590536 forward_v I I I I #
string_attrib-name_attrib-gen-attrib $-1 -1 $422 $-1 $301 custom custom ignore copy @9 _VF_DATA_ @89
12:ENTITYTYPE=29:VERSION=36:Size=319:MaterialLabel=ferro11:Potential=516:VolumeLabel=pack #
cshell $-1 -1 $-1 $423 $301 #
rgb_color-st-attrib $-1 -1 $424 $-1 $302 0.54901963472366333 0.90196079015731812 0.019607843831181526 #
face $425 -1 -1 $-1 $426 $427 $209 $-1 $428 forward single T -43.902553611942267 34.149999999999999 0 38.999999999999972
34.149999999999999 61.154696222063087 F #
loop $-1 -1 -1 $-1 $429 $302 T -48.902553611942238 0 47.534981229876706 -34.902553611942167 34.150000000000034
47.534981229876706 unknown #
plane-surface $-1 -1 -1 $-1 -58.901276805971094 30 47.534981229876706 0 0 1 1 0 0 forward_v I I I I #
string_attrib-name_attrib-gen-attrib $-1 -1 $430 $-1 $303 custom custom ignore copy @9 _VF_DATA_ @86
12:ENTITYTYPE=29:VERSION=38:Size=0.517:MaterialLabel=Air11:Potential=213:ElementType=7 #
cshell $-1 -1 $-1 $431 $303 #
integer_attrib-name_attrib-gen-attrib $-1 -1 $432 $-1 $304 lose lose ignore keep @15 VF_ID_NUM_LOCAL 1 #
face $433 -1 -1 $-1 $434 $435 $212 $-1 $436 reversed single T -9.0833465800063493 2.1499999999999995 0 3 2.1500000000000004
55.050165181524932 F #
loop $-1 -1 -1 $-1 $437 $304 T -14.574787690284523 -8.8817841970012523e-016 52.415246047219362 1.6878684177354177
2.1499999999999999 56.319564344979469 unknown #
plane-surface $-1 -1 -1 $-1 -6.5374574185469516 9.5750000000000011 54.344838325175175 -0.23344536385590536 0
0.97236992039767656 0.97236992039767656 0 0.23344536385590536 forward_v I I I I #
string_attrib-name_attrib-gen-attrib $-1 -1 $438 $-1 $305 custom custom ignore copy @9 _VF_DATA_ @68
12:ENTITYTYPE=29:VERSION=36:Size=617:MaterialLabel=Air11:Potential=5 #
cshell $-1 -1 $-1 $439 $305 #
rgb_color-st-attrib $-1 -1 $440 $-1 $306 0.60000002384185791 0.60000002384185791 0.60000002384185791 #
face $441 -1 -1 $-1 $442 $443 $215 $-1 $444 reversed single T -44.846720713508006 0 86.284205678655795 12.52310458995488
19.150000000000002 100.05748214615421 F #
loop $-1 -1 -1 $-1 $445 $306 T -44.846720713508006 19.150000000000002 47.534981229876706 21.862837159370077
19.150000000000006 100.05748214615421 unknown #
plane-surface $-1 -1 -1 $-1 -11.376178102730506 19.150000000000002 73.237260544252649 0 -1 0 0.2334453638559052 0 -
0.97236992039767589 forward_v I I I I #
string_attrib-name_attrib-gen-attrib $-1 -1 $446 $-1 $307 custom custom ignore copy @9 _VF_DATA_ @68
12:ENTITYTYPE=29:VERSION=36:Size=317:MaterialLabel=Air11:Potential=2 #
cshell $-1 -1 $-1 $447 $307 #
integer_attrib-name_attrib-gen-attrib $-1 -1 $448 $-1 $308 lose lose ignore keep @15 VF_ID_NUM_LOCAL 2 #
face $449 -1 -1 $-1 $450 $451 $218 $-1 $452 reversed single T 21.827642113708748 0 61.15469622206308 21.862837159370077
19.150000000000006 61.154696222063265 F #
loop $-1 -1 -1 $-1 $453 $308 T -35.543854992528225 0 47.534981229876706 -34.902553611942167 19.150000000000006
47.534981229876706 unknown #
plane-surface $-1 -1 -1 $-1 -58.901276805971094 30 47.534981229876706 0 0 1 1 0 0 forward_v I I I I #
string_attrib-name_attrib-gen-attrib $-1 -1 $454 $309 $40 keep keep_kept ignore copy @14 VF_COLOUR_DATA @54
8:NAME=1819:VERSION=214:List=ModelPart13:Label=Default #
integer_attrib-name_attrib-gen-attrib $-1 -1 $455 $-1 $310 lose lose ignore keep @15 VF_ID_NUM_LOCAL 3 #
cell3d-cell $456 -1 $457 $127 $-1 1 $458 #
cshell $-1 -1 $-1 $459 $310 #
integer_attrib-name_attrib-gen-attrib $-1 -1 $460 $-1 $311 copy keep_all ignore copy @7 VF_PAIR 10 #
face $461 -1 -1 $-1 $462 $463 $221 $-1 $464 reversed single T -8.599999999999996 0.1999999999999996 0 8.599999999999996
0.4000000000000002 0 F #
loop $465 -1 -1 $-1 $466 $311 T -14.574787690284527 0.19999999999999929 0 8.599999999999996 0.20000000000000018
56.319564344979476 unknown #
plane-surface $-1 -1 -1 $-1 0.2000000000000001 -5 0 1 0 0 1 forward_v I I I I #
string_attrib-name_attrib-gen-attrib $-1 -1 $467 $312 $41 keep keep_kept ignore copy @10 VF_PR_EDGE @10 2,164,15,0 #
string_attrib-name_attrib-gen-attrib $-1 -1 $468 $314 $45 keep keep_kept ignore copy @10 VF_PR_EDGE @11 6,161,110,2 #
string_attrib-name_attrib-gen-attrib $-1 -1 $469 $316 $49 keep keep_kept ignore copy @10 VF_PR_EDGE @12 10,161,118,4 #
string_attrib-name_attrib-gen-attrib $-1 -1 $470 $318 $53 keep keep_kept ignore copy @10 VF_PR_EDGE @12 14,161,126,6 #
string_attrib-name_attrib-gen-attrib $-1 -1 $471 $320 $57 keep keep_kept ignore copy @10 VF_PR_EDGE @12 18,161,134,8 #
string_attrib-name_attrib-gen-attrib $-1 -1 $472 $322 $61 keep keep_kept ignore copy @10 VF_PR_EDGE @13 22,161,142,10 #
string_attrib-name_attrib-gen-attrib $-1 -1 $473 $324 $65 keep keep_kept ignore copy @10 VF_PR_EDGE @13 26,161,150,12 #
string_attrib-name_attrib-gen-attrib $-1 -1 $474 $326 $69 keep keep_kept ignore copy @10 VF_PR_EDGE @13 30,161,158,14 #
string_attrib-name_attrib-gen-attrib $-1 -1 $475 $328 $73 keep keep_kept ignore copy @10 VF_PR_EDGE @13 34,161,166,16 #
string_attrib-name_attrib-gen-attrib $-1 -1 $476 $330 $77 keep keep_kept ignore copy @10 VF_PR_EDGE @13 38,163,176,18 #
string_attrib-name_attrib-gen-attrib $-1 -1 $477 $332 $0 keep keep_kept ignore copy @14 VF_COLOUR_DATA @66
8:NAME=2389:VERSION=29:List=CLCS31:Label=Local Coordinate System21 #

```



```

string_attrib-name_attrib-gen-attrib $-1 -1 $492 $-1 $347 custom custom ignore copy @9_VF_DATA_ @68
12:ENTITYTYPE=29:VERSION=36:Size=117:MaterialLabel=Air11:Potential=2 #
cshell $-1 -1 $-1 $493 $347 #
integer_attrib-name_attrib-gen-attrib $-1 -1 $494 $-1 $348 lose lose ignore keep @15_VF_ID_NUM_LOCAL 14 #
face $495 -1 -1 $-1 $496 $497 $299 $-1 $498 reversed single T 5.4602337663884271 19.150000000000006 0 30 19.150000000000006
61.154696222063265 F #
loop $-1 -1 -1 $-1 $499 $348 T 1.687868417735416 2.1499999999999915 0 12.599999999999994 19.150000000000134
57.225229136680909 unknown #
cone-surface $-1 -1 -1 $-1 -224.30235294117648 2.1400000000000006 0 0.22903933372554727 0.97341716833357594 0 0 0
232.900000000000001 0.97341716833357605 I I 0 1 232.900000000000001 forward I I I I #
string_attrib-name_attrib-gen-attrib $-1 -1 $500 $349 $300 custom custom ignore copy @9_VF_DATA_ @68
12:ENTITYTYPE=49:VERSION=225:Information=External face11:FaceSense=1 #
integer_attrib-name_attrib-gen-attrib $-1 -1 $501 $-1 $350 lose lose ignore keep @15_VF_ID_NUM_LOCAL 4 #
face $502 -1 -1 $-1 $503 $504 $206 $-1 $505 reversed single T -34.90255361194221 -1.7763568394002505e-015 0 -
8.599999999999994 0 52.415246047219362 F #
loop $-1 -1 -1 $-1 $506 $350 T -34.90255361194221 19.150000000000006 0 -12.599999999999994 19.150000000000006
51.504948839962623 unknown #
plane-surface $-1 -1 -1 $-1 -35.649999999999999 19.150000000000006 0 0 -1 0 0 0 -1 forward_v I I I I #
coedge $-1 -1 -1 $-1 $507 $508 $506 $509 reversed $351 $-1 #
integer_attrib-name_attrib-gen-attrib $-1 -1 $-1 $353 $301 lose lose ignore keep @15_VF_ID_NUM_LOCAL 1 #
cface $510 -1 $511 $354 $426 0 #
integer_attrib-name_attrib-gen-attrib $-1 -1 $512 $355 $302 lose lose ignore keep @15_VF_ID_NUM_LOCAL 2 #
integer_attrib-name_attrib-gen-attrib $-1 -1 $513 $-1 $356 lose lose ignore keep @15_VF_ID_NUM_LOCAL 6 #
face $514 -1 -1 $-1 $515 $516 $209 $-1 $517 forward single T -34.90255361194221 0 0 -29.999999999999972 19.150000000000006
47.534981229876706 F #
loop $-1 -1 -1 $-1 $518 $356 T -43.902553611942267 34.149999999999999 0 38.999999999999972 34.149999999999999
61.154696222063087 unknown #
plane-surface $-1 -1 -1 $-1 -25 34.149999999999999 0 0 1 0 0 0 1 forward_v I I I I #
coedge $-1 -1 -1 $-1 $519 $520 $518 $521 reversed $357 $-1 #
integer_attrib-name_attrib-gen-attrib $-1 -1 $-1 $359 $303 lose lose ignore keep @15_VF_ID_NUM_LOCAL 1 #
cface $522 -1 $523 $360 $524 0 #
string_attrib-name_attrib-gen-attrib $-1 -1 $525 $361 $304 custom custom ignore copy @9_VF_DATA_ @68
12:ENTITYTYPE=49:VERSION=225:Information=External face11:FaceSense=1 #
integer_attrib-name_attrib-gen-attrib $-1 -1 $526 $-1 $362 lose lose ignore keep @15_VF_ID_NUM_LOCAL 2 #
face $527 -1 -1 $-1 $528 $529 $212 $-1 $530 forward single T -3.599559625954754 2.119999999999997 0 3 2.149999999999999
55.050165181524932 F #
loop $-1 -1 -1 $-1 $531 $362 T -9.0833465800063493 2.149999999999995 0 3 2.150000000000004 55.050165181524932
unknown #
plane-surface $-1 -1 -1 $-1 0.1000000000000009 2.149999999999999 -5 0 -1 0 0 0 -1 forward_v I I I I #
coedge $-1 -1 -1 $-1 $532 $533 $534 $535 reversed $363 $-1 #
integer_attrib-name_attrib-gen-attrib $-1 -1 $-1 $365 $305 lose lose ignore keep @15_VF_ID_NUM_LOCAL 1 #
cface $536 -1 $537 $366 $538 0 #
integer_attrib-name_attrib-gen-attrib $-1 -1 $539 $367 $306 lose lose ignore keep @15_VF_ID_NUM_LOCAL 2 #
rgb_color-st-attrib $-1 -1 $540 $-1 $368 0.60000002384185791 0.60000002384185791 0.60000002384185791 #
face $541 -1 -1 $-1 $542 $543 $215 $-1 $544 forward single T -44.846720713508006 0 47.534981229876706 -35.543854992528225
19.150000000000002 86.284205678655809 F #
loop $-1 -1 -1 $-1 $545 $368 T -44.846720713508006 0 86.284205678655795 12.52310458995488 19.150000000000002
100.05748214615421 unknown #
plane-surface $-1 -1 -1 $-1 -16.161808061776561 9.5750000000000011 93.170843912405005 -0.23344536385590539 0
0.97236992039767667 0.97236992039767589 0 0.2334453638559052 forward_v I I I I #
coedge $-1 -1 -1 $-1 $546 $547 $548 $549 reversed $369 $-1 #
integer_attrib-name_attrib-gen-attrib $-1 -1 $-1 $371 $307 lose lose ignore keep @15_VF_ID_NUM_LOCAL 1 #
cface $550 -1 $551 $372 $552 0 #
real_attrib-name_attrib-gen-attrib $-1 -1 $553 $373 $308 lose lose lose keep @11_VF_FACEAREA 12.280921438222588 #
integer_attrib-name_attrib-gen-attrib $-1 -1 $554 $-1 $374 lose lose ignore keep @15_VF_ID_NUM_LOCAL 3 #
face $555 -1 -1 $-1 $556 $557 $218 $-1 $558 reversed single T -44.846720713508006 -1.7763568394002505e-015
47.534981229876706 21.862837159370077 0 100.05748214615421 F #
loop $-1 -1 -1 $-1 $559 $374 T 21.827642113708748 0 61.15469622206308 21.862837159370077 19.150000000000006
61.154696222063265 unknown #
plane-surface $-1 -1 -1 $-1 44.463821056854357 30 61.154696222063087 0 0 1 1 0 0 forward_v I I I I #
coedge $-1 -1 -1 $-1 $560 $561 $562 $563 reversed $375 $-1 #
string_attrib-name_attrib-gen-attrib $-1 -1 $564 $377 $40 keep keep_kept ignore copy @14_VF_COLOUR_DATA @55
8:NAME=1779:VERSION=214:List=Condition14:Label=TANGMAGN #
string_attrib-name_attrib-gen-attrib $-1 -1 $-1 $378 $310 custom custom ignore copy @9_VF_DATA_ @86
12:ENTITYTYPE=29:VERSION=38:Size=0.517:MaterialLabel=Air11:Potential=213:ElementType=7 #
integer_attrib-name_attrib-gen-attrib $-1 -1 $565 $-1 $379 lose lose ignore keep @15_VF_ID_NUM_LOCAL 7 #
cell3d-cell $566 -1 $567 $127 $-1 1 $568 #
cshell $-1 -1 $-1 $569 $379 #
cface $570 -1 $571 $380 $462 0 #
integer_attrib-name_attrib-gen-attrib $-1 -1 $572 $381 $311 copy keep_all ignore copy @13_VF_PAIR_GROUP 0 #
fctd_mark-eye-attrib $-1 -1 $573 $-1 $382 #

```

face \$574 -1 -1 \$-1 \$575 \$576 \$221 \$-1 \$577 forward double in T 1.687868417735416 0 0 8.599999999999996
 0.20000000000000018 56.319564344979476 F #
 loop \$578 -1 -1 \$-1 \$-1 \$579 \$382 T -8.599999999999996 0.1999999999999996 0 8.599999999999996 0.4000000000000002 0
 unknown #
 plane-surface \$-1 -1 -1 \$-1 0 2.5 0 0 0 1 1 0 0 forward_v I I I I #
 integer_attrib-name_attrib-gen-attr \$-1 -1 \$-1 \$383 lose lose ignore keep @15 VF_ID_NUM_LOCAL 79 #
 coedge \$-1 -1 -1 \$-1 \$580 \$581 \$582 \$583 reversed \$383 \$-1 #
 string_attrib-name_attrib-gen-attr \$-1 -1 \$584 \$385 \$41 keep keep_ignored copy @10 VF_PR_EDGE @10 3,105,17,0 #
 string_attrib-name_attrib-gen-attr \$-1 -1 \$585 \$386 \$45 keep keep_ignored copy @10 VF_PR_EDGE @11 7,105,111,2 #
 string_attrib-name_attrib-gen-attr \$-1 -1 \$586 \$387 \$49 keep keep_ignored copy @10 VF_PR_EDGE @12 11,105,119,4 #
 string_attrib-name_attrib-gen-attr \$-1 -1 \$587 \$388 \$53 keep keep_ignored copy @10 VF_PR_EDGE @12 15,105,127,6 #
 string_attrib-name_attrib-gen-attr \$-1 -1 \$588 \$389 \$57 keep keep_ignored copy @10 VF_PR_EDGE @12 19,105,135,8 #
 string_attrib-name_attrib-gen-attr \$-1 -1 \$589 \$390 \$61 keep keep_ignored copy @10 VF_PR_EDGE @13 23,105,143,10 #
 string_attrib-name_attrib-gen-attr \$-1 -1 \$590 \$391 \$65 keep keep_ignored copy @10 VF_PR_EDGE @13 27,105,151,12 #
 string_attrib-name_attrib-gen-attr \$-1 -1 \$591 \$392 \$69 keep keep_ignored copy @10 VF_PR_EDGE @13 31,105,159,14 #
 string_attrib-name_attrib-gen-attr \$-1 -1 \$592 \$393 \$73 keep keep_ignored copy @10 VF_PR_EDGE @13 35,164,170,16 #
 string_attrib-name_attrib-gen-attr \$-1 -1 \$593 \$394 \$77 keep keep_ignored copy @10 VF_PR_EDGE @13 39,105,178,18 #
 string_attrib-name_attrib-gen-attr \$-1 -1 \$594 \$395 \$0 keep keep_ignored copy @14 VF_COLOUR_DATA @66
 8:NAME=2369:VERSION=29:List=CLCS31:Label=Local Coordinate System20 #
 integer_attrib-name_attrib-gen-attr \$-1 -1 \$-1 \$396 \$23 lose lose ignore keep @15 VF_ID_NUM_LOCAL 2 #
 integer_attrib-name_attrib-gen-attr \$-1 -1 \$-1 \$397 \$24 lose lose ignore keep @15 VF_ID_NUM_LOCAL 3 #
 integer_attrib-name_attrib-gen-attr \$-1 -1 \$-1 \$398 \$25 lose lose ignore keep @15 VF_ID_NUM_LOCAL 1 #
 integer_attrib-name_attrib-gen-attr \$-1 -1 \$-1 \$399 \$26 lose lose ignore keep @15 VF_ID_NUM_LOCAL 6 #
 integer_attrib-name_attrib-gen-attr \$-1 -1 \$-1 \$400 \$27 lose lose ignore keep @15 VF_ID_NUM_LOCAL 5 #
 integer_attrib-name_attrib-gen-attr \$-1 -1 \$-1 \$401 \$28 lose lose ignore keep @15 VF_ID_NUM_LOCAL 4 #
 integer_attrib-name_attrib-gen-attr \$-1 -1 \$-1 \$402 \$29 lose lose ignore keep @15 VF_ID_NUM_LOCAL 7 #
 integer_attrib-name_attrib-gen-attr \$-1 -1 \$-1 \$403 \$30 lose lose ignore keep @15 VF_ID_NUM_LOCAL 8 #
 integer_attrib-name_attrib-gen-attr \$-1 -1 \$-1 \$404 \$31 lose lose ignore keep @15 VF_ID_NUM_LOCAL 9 #
 integer_attrib-name_attrib-gen-attr \$-1 -1 \$-1 \$405 \$32 lose lose ignore keep @15 VF_ID_NUM_LOCAL 10 #
 integer_attrib-name_attrib-gen-attr \$-1 -1 \$-1 \$406 \$33 lose lose ignore keep @15 VF_ID_NUM_LOCAL 11 #
 integer_attrib-name_attrib-gen-attr \$-1 -1 \$-1 \$407 \$34 lose lose ignore keep @15 VF_ID_NUM_LOCAL 12 #
 string_attrib-name_attrib-gen-attr \$-1 -1 \$-1 \$-1 \$409 custom custom ignore copy @9 _VF_DATA_ @68
 12:ENTITYTYPE=29:VERSION=36:Size=117:MaterialLabel=Air11:Potential=2 #
 cface \$595 -1 \$596 \$346 \$503 0 #
 integer_attrib-name_attrib-gen-attr \$-1 -1 \$-1 \$410 \$347 lose lose ignore keep @15 VF_ID_NUM_LOCAL 1 #
 cface \$597 -1 \$598 \$411 \$599 0 #
 real_attrib-name_attrib-gen-attr \$-1 -1 \$600 \$412 \$348 lose lose lose keep @11 VF_FACEAREA 1001.0557403483006 #
 integer_attrib-name_attrib-gen-attr \$-1 -1 \$601 \$-1 \$413 lose lose ignore keep @15 VF_ID_NUM_LOCAL 1 #
 face \$602 -1 -1 \$-1 \$603 \$604 \$299 \$-1 \$605 reversed single T 8.5999999999999943 0 0 30 19.150000000000013 0 F #
 loop \$-1 -1 -1 \$-1 \$-1 \$606 \$413 T 5.4602337663884271 19.150000000000006 0 30 19.150000000000006 61.154696222063265
 unknown #
 plane-surface \$-1 -1 -1 \$-1 35.64999999999999 19.150000000000006 0 0 -1 0 0 0 -1 forward_v I I I I #
 coedge \$-1 -1 -1 \$-1 \$607 \$608 \$609 \$610 forward \$414 \$-1 #
 real_attrib-name_attrib-gen-attr \$-1 -1 \$611 \$416 \$300 lose lose lose keep @11 VF_FACEAREA 367.19848249531225 #
 string_attrib-name_attrib-gen-attr \$-1 -1 \$612 \$417 \$350 custom custom ignore copy @9 _VF_DATA_ @87
 12:ENTITYTYPE=49:VERSION=225:Information=External face16:FaceDirection=-111:FaceSense=0 #
 integer_attrib-name_attrib-gen-attr \$-1 -1 \$613 \$-1 \$418 lose lose ignore keep @15 VF_ID_NUM_LOCAL 7 #
 face \$614 -1 -1 \$-1 \$615 \$616 \$206 \$-1 \$617 reversed single T -18.366448438385049 2.1499999999995154 0 -8.5999999999999943
 19.150000000000205 52.415246047219384 F #
 loop \$-1 -1 -1 \$-1 \$-1 \$618 \$418 T -34.90255361194221 -1.7763568394002505e-015 0 -8.5999999999999943 0 52.415246047219362
 unknown #
 plane-surface \$-1 -1 -1 \$-1 0 0 -5 0 1 0 0 0 1 forward_v I I I I #
 coedge \$-1 -1 -1 \$-1 \$619 \$620 \$421 \$509 forward \$419 \$-1 #
 coedge \$-1 -1 -1 \$-1 \$621 \$421 \$622 \$623 reversed \$351 \$-1 #
 coedge \$-1 -1 -1 \$-1 \$421 \$624 \$625 \$626 reversed \$351 \$-1 #
 edge \$627 -1 -1 \$-1 \$628 24.498598773170343 \$629 41.50458057770247 \$506 \$630 forward @7 unknown T -34.90255361194221
 19.150000000000006 47.534981229876706 -18.366448438384964 19.150000000000006 51.504948839962623 #
 string_attrib-name_attrib-gen-attr \$-1 -1 \$-1 \$-1 \$423 custom custom ignore copy @9 _VF_DATA_ @89
 12:ENTITYTYPE=29:VERSION=36:Size=319:MaterialLabel=ferro11:Potential=516:VolumeLabel=pack #
 cface \$631 -1 \$632 \$354 \$633 0 #
 real_attrib-name_attrib-gen-attr \$-1 -1 \$634 \$424 \$302 lose lose lose keep @11 VF_FACEAREA 465.6000000000173 #
 string_attrib-name_attrib-gen-attr \$-1 -1 \$635 \$425 \$356 custom custom ignore copy @9 _VF_DATA_ @87
 12:ENTITYTYPE=49:VERSION=225:Information=External face16:FaceDirection=-111:FaceSense=0 #
 integer_attrib-name_attrib-gen-attr \$-1 -1 \$636 \$-1 \$426 lose lose ignore keep @15 VF_ID_NUM_LOCAL 8 #
 face \$637 -1 -1 \$-1 \$638 \$639 \$209 \$-1 \$640 forward single T -34.90255361194221 2.1199999999999974 47.534981229876706
 21.827642113708805 34.14999999999999 61.154696222063102 F #
 loop \$-1 -1 -1 \$-1 \$-1 \$641 \$426 T -34.90255361194221 0 0 -29.99999999999972 19.150000000000006 47.534981229876706
 unknown #
 cone-surface \$-1 -1 -1 \$-1 -262.89999999999998 0 0 0 1 0 232.90000000000001 0 0 1 I I 0 1 232.90000000000001 forward I I I I #
 coedge \$-1 -1 -1 \$-1 \$642 \$643 \$429 \$521 forward \$427 \$-1 #
 coedge \$-1 -1 -1 \$-1 \$644 \$429 \$645 \$646 reversed \$357 \$-1 #
 coedge \$-1 -1 -1 \$-1 \$429 \$647 \$648 \$649 reversed \$357 \$-1 #

```

edge $650 -1 -1 $-1 $651 -1.95191520895672 $652 7.0480847910433368 $518 $653 forward @7 unknown T -43.902553611942267
34.149999999999999 47.534981229876706 -34.90255361194221 34.149999999999999 47.534981229876706 #
string_attrib-name_attrib-gen-attr $-1 -1 $-1 $431 custom custom ignore copy @9 _VF_DATA_ @86
12:ENTITYTYPE=29:VERSION=38:Size=0.517:MaterialLabel=Air11:Potential=213:ElementType=7 #
cface $654 -1 $655 $360 $656 0 #
face $657 -1 -1 $-1 $658 $659 $212 $-1 $660 reversed single T -14.574787690284523 2.1299999999999994 0 -2.7999999999999994
2.1300000000000003 53.733624414536493 F #
real_attrib-name_attrib-gen-attr $-1 -1 $661 $432 $304 lose lose lose keep @11 VF_FACEAREA 35.6821598867812 #
string_attrib-name_attrib-gen-attr $-1 -1 $662 $433 $362 custom custom ignore copy @9 _VF_DATA_ @68
12:ENTITYTYPE=49:VERSION=225:Information=External face11:FaceSense=1 #
integer_attrib-name_attrib-gen-attr $-1 -1 $663 $-1 $434 lose lose ignore keep @15 VF_ID_NUM_LOCAL 3 #
face $664 -1 -1 $-1 $665 $666 $212 $-1 $667 reversed single T -3.599559625954754 2.119999999999997 0 8.599999999999996
2.1200000000000001 56.319564344979476 F #
loop $-1 -1 -1 $-1 $-1 $668 $434 T -3.599559625954754 2.119999999999997 0 3 2.149999999999999 55.050165181524932
unknown #
cone-surface $-1 -1 -1 $-1 -229.900000000000001 2.149999999999999 0 0 -1 0 232.900000000000001 0 0 1 I I I 1
232.900000000000001 forward I I I I #
coedge $-1 -1 -1 $-1 $669 $670 $671 $672 forward $435 $-1 #
coedge $-1 -1 -1 $-1 $673 $437 $674 $675 reversed $363 $-1 #
coedge $-1 -1 -1 $-1 $437 $676 $677 $678 reversed $363 $-1 #
coedge $-1 -1 -1 $-1 $679 $680 $437 $535 forward $681 $-1 #
edge $682 -1 -1 $-1 $683 -1.0649999999999995 $684 1.0650000000000008 $534 $685 forward @7 unknown T -14.574787690284523
0 52.41524604721937 -14.574787690284523 2.1300000000000003 52.41524604721937 #
string_attrib-name_attrib-gen-attr $-1 -1 $-1 $439 custom custom ignore copy @9 _VF_DATA_ @68
12:ENTITYTYPE=29:VERSION=36:Size=617:MaterialLabel=Air11:Potential=5 #
cface $686 -1 $687 $366 $306 0 #
face $688 -1 -1 $-1 $689 $690 $215 $-1 $691 reversed single T -34.90255361194221 19.150000000000006 47.534981229876706
21.827642113708805 34.149999999999999 61.154696222063265 F #
real_attrib-name_attrib-gen-attr $-1 -1 $692 $440 $306 lose lose lose keep @11 VF_FACEAREA 2359.953462708504 #
integer_attrib-name_attrib-gen-attr $-1 -1 $693 $441 $368 lose lose ignore keep @15 VF_ID_NUM_LOCAL 8 #
rgb_color-st-attr $-1 -1 $694 $-1 $442 0.60000002384185791 0.60000002384185791 0.60000002384185791 #
face $695 -1 -1 $-1 $538 $696 $215 $-1 $697 forward single T 12.523104589954876 0 61.15469622206308 21.862837159370077
19.150000000000002 100.0574821461542 F #
loop $-1 -1 -1 $-1 $-1 $698 $442 T -44.846720713508006 0 47.534981229876706 -35.543854992528225 19.150000000000002
86.284205678655809 unknown #
plane-surface $-1 -1 -1 $-1 -40.061090754461944 9.5750000000000011 66.350622310503439 0.97236992039767667 0
0.23344536385590539 0.2334453638559052 0 -0.97236992039767589 forward_v I I I I #
coedge $-1 -1 -1 $-1 $699 $700 $701 $702 reversed $443 $-1 #
coedge $-1 -1 -1 $-1 $703 $445 $704 $705 reversed $369 $-1 #
coedge $-1 -1 -1 $-1 $445 $706 $707 $708 forward $369 $-1 #
coedge $-1 -1 -1 $-1 $709 $710 $445 $549 forward $711 $-1 #
edge $712 -1 -1 $-1 $713 -0.23617384240858996 $714 0.40512753817742464 $548 $715 forward @7 unknown T -
35.543854992528225 19.150000000000002 47.534981229876706 -34.90255361194221 19.150000000000006 47.534981229876706 #
string_attrib-name_attrib-gen-attr $-1 -1 $-1 $447 custom custom ignore copy @9 _VF_DATA_ @68
12:ENTITYTYPE=29:VERSION=36:Size=317:MaterialLabel=Air11:Potential=2 #
cface $716 -1 $717 $372 $374 0 #
face $718 -1 -1 $-1 $-1 $719 $218 $-1 $720 reversed single T 12.523104589954876 0 61.15469622206308 21.862837159370077
19.150000000000002 100.0574821461542 F #
rgb_color-st-attr $-1 -1 $721 $448 $308 0.60000002384185791 0.60000002384185791 0.60000002384185791 #
real_attrib-name_attrib-gen-attr $-1 -1 $722 $449 $374 lose lose lose keep @11 VF_FACEAREA 0.67398512441444669 #
string_attrib-name_attrib-gen-attr $-1 -1 $723 $-1 $450 custom custom ignore copy @9 _VF_DATA_ @89
12:ENTITYTYPE=49:VERSION=225:Information=External face18:BoundaryLabel=norm11:FaceSense=1 #
face $724 -1 -1 $-1 $725 $726 $218 $-1 $727 reversed single T -34.90255361194221 -1.7763568394002505e-015 47.534981229876706
21.827642113708784 19.150000000000006 61.154696222063265 F #
loop $-1 -1 -1 $-1 $-1 $728 $450 T -44.846720713508006 -1.7763568394002505e-015 47.534981229876706 21.862837159370077 0
100.05748214615421 unknown #
plane-surface $-1 -1 -1 $-1 -11.376178102730506 0 73.237260544252649 0 1 0 -0.2334453638559052 0 0.97236992039767589
forward_v I I I I #
coedge $-1 -1 -1 $-1 $729 $730 $731 $732 reversed $451 $-1 #
coedge $-1 -1 -1 $-1 $733 $453 $734 $735 reversed $375 $-1 #
coedge $-1 -1 -1 $-1 $453 $733 $728 $736 reversed $375 $-1 #
coedge $-1 -1 -1 $-1 $737 $738 $453 $563 forward $739 $-1 #
edge $740 -1 -1 $-1 $741 0.63749999999999929 $742 19.787500000000001 $562 $743 forward @7 unknown T -35.543854992528225
0 47.534981229876706 -35.543854992528225 19.150000000000002 47.534981229876706 #
string_attrib-name_attrib-gen-attr $-1 -1 $744 $454 $40 keep keep ignore copy @14 VF_COLOUR_DATA @55
8:NAME=1799:VERSION=214:List=Condition14:Label=NORMMAGN #
string_attrib-name_attrib-gen-attr $-1 -1 $-1 $456 $379 custom custom ignore copy @9 _VF_DATA_ @86
12:ENTITYTYPE=29:VERSION=38:Size=0.517:MaterialLabel=Air11:Potential=213:ElementType=7 #
integer_attrib-name_attrib-gen-attr $-1 -1 $745 $-1 $457 lose lose ignore keep @15 VF_ID_NUM_LOCAL 8 #
cell3d-cell $746 -1 $747 $127 $-1 1 $748 #
cshell $-1 -1 $-1 $749 $457 #
cface $750 -1 $751 $458 $752 0 #

```

```

string_attrib-name_attrib-gen-attr $-1 -1 $-1 $-1 $459 custom custom ignore copy @9_VF_DATA_ @86
12:ENTITYTYPE=29:VERSION=38:Size=0.517:MaterialLabel=Air11:Potential=213:ElementType=7 #
cface $753 -1 $754 $380 $755 1 #
fctd_mark-eye-attr $-1 -1 $756 $460 $311 #
fmesh-eye-attr $-1 -1 $757 $461 $382 #
fctd_mark-eye-attr $-1 -1 $758 $-1 $462 #
face $759 -1 -1 $-1 $760 $761 $221 $-1 $762 reversed double in T -14.574787690284527 0.19999999999999929 52.415246047219355
1.687868417735416 0.40000000000000002 56.319564344979469 F #
loop $763 -1 -1 $-1 $-1 $764 $462 T 1.687868417735416 0 0 8.599999999999996 0.20000000000000018 56.319564344979476
unknown #
cone-surface $-1 -1 $-1 -224.30000000000001 4 0 0 -1 0 232.90000000000001 0 0 1 1 1 0 1 232.90000000000001 forward I I I I #
integer_attrib-name_attrib-gen-attr $-1 -1 $-1 $-1 $463 lose lose ignore keep @15_VF_ID_NUM_LOCAL 76 #
coedge $-1 -1 -1 $-1 $765 $766 $767 $768 reversed $463 $-1 #
coedge $-1 -1 -1 $-1 $767 $466 $769 $770 forward $383 $-1 #
coedge $-1 -1 -1 $-1 $466 $767 $764 $771 forward $383 $-1 #
coedge $-1 -1 -1 $-1 $772 $773 $774 $583 reversed $761 $-1 #
edge $775 -1 -1 $-1 $776 28.655101678824138 $777 45.37986430966415 $774 $778 forward @7 unknown T -14.574787690284527
0.19999999999999929 52.415246047219362 1.687868417735416 0.2000000000000001 56.319564344979469 #
string_attrib-name_attrib-gen-attr $-1 -1 $779 $467 $41 keep keep_keept ignore copy @10_VF_PR_VERT @8 0,65,1,0 #
string_attrib-name_attrib-gen-attr $-1 -1 $780 $468 $45 keep keep_keept ignore copy @10_VF_PR_VERT @9 4,93,63,2 #
string_attrib-name_attrib-gen-attr $-1 -1 $781 $469 $49 keep keep_keept ignore copy @10_VF_PR_VERT @9 8,93,69,4 #
string_attrib-name_attrib-gen-attr $-1 -1 $782 $470 $53 keep keep_keept ignore copy @10_VF_PR_VERT @10 12,93,73,6 #
string_attrib-name_attrib-gen-attr $-1 -1 $783 $471 $57 keep keep_keept ignore copy @10_VF_PR_VERT @10 16,93,77,8 #
string_attrib-name_attrib-gen-attr $-1 -1 $784 $472 $61 keep keep_keept ignore copy @10_VF_PR_VERT @11 20,93,81,10 #
string_attrib-name_attrib-gen-attr $-1 -1 $785 $473 $65 keep keep_keept ignore copy @10_VF_PR_VERT @11 24,93,85,12 #
string_attrib-name_attrib-gen-attr $-1 -1 $786 $474 $69 keep keep_keept ignore copy @10_VF_PR_VERT @11 28,93,89,14 #
string_attrib-name_attrib-gen-attr $-1 -1 $787 $475 $73 keep keep_keept ignore copy @10_VF_PR_VERT @11 32,66,95,16 #
string_attrib-name_attrib-gen-attr $-1 -1 $788 $476 $77 keep keep_keept ignore copy @10_VF_PR_VERT @11 36,93,99,18 #
string_attrib-name_attrib-gen-attr $-1 -1 $789 $477 $0 keep keep_keept ignore copy @14_VF_COLOUR_DATA @66
8:NAME=2349:VERSION=29:List=CLCS31:Label=Local Coordinate System19 #
string_attrib-name_attrib-gen-attr $-1 -1 $-1 $-1 $491 custom custom ignore copy @9_VF_DATA_ @68
12:ENTITYTYPE=29:VERSION=36:Size=117:MaterialLabel=Air11:Potential=2 #
cface $790 -1 $791 $346 $350 0 #
string_attrib-name_attrib-gen-attr $-1 -1 $-1 $-1 $493 custom custom ignore copy @9_VF_DATA_ @68
12:ENTITYTYPE=29:VERSION=36:Size=117:MaterialLabel=Air11:Potential=2 #
cface $792 -1 $793 $411 $794 0 #
face $795 -1 -1 $-1 $-1 $796 $299 $-1 $352 forward single T 1.687868417735416 -1.7763568394002505e-015 56.31956434497944
21.82764211370878 19.150000000000134 61.154696222063265 F #
string_attrib-name_attrib-gen-attr $-1 -1 $797 $494 $348 custom custom ignore copy @9_VF_DATA_ @68
12:ENTITYTYPE=49:VERSION=225:Information=External face11:FaceSense=0 #
real_attrib-name_attrib-gen-attr $-1 -1 $798 $495 $413 lose lose lose keep @11_VF_FACEAREA 1029.9293477735916 #
real_attrib-name_attrib-gen-attr $-1 -1 $799 $-1 $496 lose lose lose keep @11_VF_FACEAREA 375.8100000000004 #
face $800 -1 -1 $-1 $794 $801 $299 $-1 $802 reversed single T 1.687868417735416 0 0 8.599999999999996 2.15000000000001194
56.319564344979455 F #
loop $-1 -1 -1 $-1 $-1 $803 $496 T 8.5999999999999943 0 0 30 19.150000000000013 0 unknown #
plane-surface $-1 -1 -1 $-1 0 12.5 0 0 0 1 1 0 0 forward_v I I I I #
coedge $-1 -1 -1 $-1 $804 $805 $806 $807 forward $497 $-1 #
coedge $-1 -1 -1 $-1 $808 $499 $805 $809 reversed $414 $-1 #
coedge $-1 -1 -1 $-1 $499 $808 $810 $811 forward $414 $-1 #
coedge $-1 -1 -1 $-1 $812 $806 $499 $610 reversed $796 $-1 #
edge $813 -1 -1 $-1 $814 -1.5502019467161123 $815 -1.5461923512182283 $499 $816 forward @7 unknown T 1.687868417735416
2.1500000000000874 56.319564344979455 5.4602337663884839 19.150000000000134 57.225229136680909 #
cface_ptr-ct-attr $-1 -1 $817 $500 $300 $-1 $409 #
real_attrib-name_attrib-gen-attr $-1 -1 $818 $501 $350 lose lose lose keep @11_VF_FACEAREA 861.67138876011632 #
string_attrib-name_attrib-gen-attr $-1 -1 $819 $502 $418 custom custom ignore copy @9_VF_DATA_ @89
12:ENTITYTYPE=49:VERSION=225:Information=External face18:BoundaryLabel=norm11:FaceSense=1 #
integer_attrib-name_attrib-gen-attr $-1 -1 $820 $-1 $503 lose lose ignore keep @15_VF_ID_NUM_LOCAL 8 #
face $821 -1 -1 $-1 $822 $823 $206 $-1 $824 reversed single T -14.574787690284523 0 0 -8.5999999999999943 2.1500000000000119
52.415246047219362 F #
loop $-1 -1 -1 $-1 $-1 $625 $503 T -18.366448438385049 2.14999999999995154 0 -8.5999999999999943 19.150000000000205
52.415246047219384 unknown #
cone-surface $-1 -1 -1 $-1 -245.5 19.150000000000006 0 0.22903933372554727 -0.97341716833357594 0 0 0 232.90000000000001
0.97341716833357605 I I 0 -1 232.90000000000001 forward I I I I #
coedge $-1 -1 -1 $-1 $825 $826 $621 $827 forward $504 $-1 #
coedge $-1 -1 -1 $-1 $828 $506 $829 $830 reversed $419 $-1 #
coedge $-1 -1 -1 $-1 $506 $828 $831 $832 forward $419 $-1 #
coedge $-1 -1 -1 $-1 $624 $507 $618 $827 reversed $351 $-1 #
coedge $-1 -1 -1 $-1 $831 $833 $507 $623 forward $834 $-1 #
edge $835 -1 -1 $-1 $836 -9.5750000000000028 $628 9.5750000000000028 $622 $837 forward @7 unknown T -34.90255361194221 0
47.534981229876706 -34.902553611942167 19.150000000000006 47.534981229876706 #
coedge $-1 -1 -1 $-1 $508 $621 $838 $839 reversed $351 $-1 #
coedge $-1 -1 -1 $-1 $840 $829 $508 $626 forward $616 $-1 #

```

edge \$841 -1 -1 \$-1 \$629 -1.5714520316378984 \$842 -1.5674424361400141 \$625 \$843 forward @7 unknown T -18.366448438385049
 2.14999999999995154 51.504948839962601 -14.574787690284438 19.150000000000205 52.415246047219384 #
 integer_attrib-name_attrib-gen-attrib \$-1 -1 \$-1 \$509 lose lose ignore keep @15 VF_ID_NUM_LOCAL 7 #
 vertex \$844 -1 -1 \$-1 \$623 \$845 #
 vertex \$846 -1 -1 \$-1 \$626 \$847 #
 straight-curve \$-1 -1 \$-1 -58.724254150864475 19.150000000000006 41.815896925314121 0.97236992039767578 0
 0.2334453638559051711 #
 string_attrib-name_attrib-gen-attrib \$-1 -1 \$-1 \$511 custom custom ignore copy @9 _VF_DATA_ @89
 12:ENTITYTYPE=29:VERSION=36:Size=319:MaterialLabel=ferro11:Potential=516:VolumeLabel=pack #
 cface \$848 -1 \$849 \$354 \$850 0 #
 face \$851 -1 -1 \$-1 \$850 \$852 \$209 \$-1 \$853 reversed single T -48.90255361194221 0 0 -29.99999999999972 0 47.534981229876706
 F #
 string_attrib-name_attrib-gen-attrib \$-1 -1 \$854 \$512 \$302 custom custom ignore copy @9 _VF_DATA_ @68
 12:ENTITYTYPE=49:VERSION=225:Information=External face11:FaceSense=1 #
 real_attrib-name_attrib-gen-attrib \$-1 -1 \$855 \$513 \$356 lose lose lose keep @11 VF_FACEAREA 4239.8809257503781 #
 string_attrib-name_attrib-gen-attrib \$-1 -1 \$856 \$514 \$426 custom custom ignore copy @9 _VF_DATA_ @68
 12:ENTITYTYPE=49:VERSION=225:Information=External face11:FaceSense=0 #
 integer_attrib-name_attrib-gen-attrib \$-1 -1 \$857 \$-1 \$515 lose lose ignore keep @15 VF_ID_NUM_LOCAL 3 #
 face \$858 -1 -1 \$-1 \$859 \$860 \$209 \$-1 \$861 forward single T -18.366448438385049 2.14999999999995154 0 -8.599999999999943
 19.150000000000205 52.415246047219384 F #
 loop \$-1 -1 -1 \$-1 \$862 \$515 T -34.90255361194221 2.119999999999974 47.534981229876706 21.827642113708805
 34.149999999999999 61.154696222063102 unknown #
 plane-surface \$-1 -1 -1 \$-1 -71.049026749806728 30 38.856980813815447 -0.23344536385590536 0 0.97236992039767656
 0.97236992039767656 0 0.23344536385590536 forward_v I I I I #
 coedge \$-1 -1 -1 \$-1 \$863 \$864 \$647 \$865 forward \$516 \$-1 #
 coedge \$-1 -1 -1 \$-1 \$866 \$518 \$867 \$868 forward \$427 \$-1 #
 coedge \$-1 -1 -1 \$-1 \$518 \$869 \$870 \$871 reversed \$427 \$-1 #
 coedge \$-1 -1 -1 \$-1 \$872 \$519 \$873 \$874 reversed \$357 \$-1 #
 coedge \$-1 -1 -1 \$-1 \$870 \$875 \$519 \$646 forward \$876 \$-1 #
 edge \$877 -1 -1 \$-1 \$878 154.1474726223465 \$651 161.21854043421195 \$645 \$879 forward @7 unknown T -48.902553611942238
 29.150000000000041 47.534981229876706 -43.902553611942238 34.150000000000034 47.534981229876706 #
 coedge \$-1 -1 -1 \$-1 \$520 \$872 \$641 \$865 reversed \$357 \$-1 #
 coedge \$-1 -1 -1 \$-1 \$862 \$867 \$520 \$649 forward \$639 \$-1 #
 edge \$880 -1 -1 \$-1 \$652 -4.149999999999986 \$881 10.849999999999994 \$648 \$882 forward @7 unknown T -34.90255361194221
 19.150000000000006 47.534981229876706 -34.90255361194221 34.149999999999999 47.534981229876706 #
 integer_attrib-name_attrib-gen-attrib \$-1 -1 \$-1 \$521 lose lose ignore keep @15 VF_ID_NUM_LOCAL 2 #
 vertex \$883 -1 -1 \$-1 \$871 \$884 #
 vertex \$885 -1 -1 \$-1 \$868 \$886 #
 straight-curve \$-1 -1 -1 \$-1 -41.950638402985547 34.149999999999999 47.534981229876706 1 0 0 I I #
 string_attrib-name_attrib-gen-attrib \$-1 -1 \$-1 \$523 custom custom ignore copy @9 _VF_DATA_ @86
 12:ENTITYTYPE=29:VERSION=38:Size=0.517:MaterialLabel=Air11:Potential=213:ElementType=7 #
 cface \$887 -1 \$888 \$360 \$665 0 #
 face \$889 -1 -1 \$-1 \$524 \$890 \$212 \$-1 \$891 forward single T -9.0833465800063493 2.129999999999999 0 -2.799999999999994
 2.149999999999999 53.733624414536493 F #
 integer_attrib-name_attrib-gen-attrib \$-1 -1 \$892 \$-1 \$524 lose lose ignore keep @15 VF_ID_NUM_LOCAL 8 #
 face \$893 -1 -1 \$-1 \$894 \$895 \$212 \$-1 \$896 reversed single T -8.59999999999996 0 0 8.599999999999996 2.150000000000004
 0 F #
 loop \$-1 -1 -1 \$-1 \$677 \$524 T -14.574787690284523 2.129999999999994 0 -2.799999999999994 2.130000000000003
 53.733624414536493 unknown #
 plane-surface \$-1 -1 -1 \$-1 -5.699999999999999 2.129999999999999 -5 0 -1 0 0 -1 forward_v I I I I #
 cface_ptr-ct-attrib \$-1 -1 \$897 \$525 \$304 \$-1 \$898 #
 real_attrib-name_attrib-gen-attrib \$-1 -1 \$899 \$526 \$362 lose lose lose keep @11 VF_FACEAREA 315.47387798633758 #
 string_attrib-name_attrib-gen-attrib \$-1 -1 \$900 \$527 \$434 custom custom ignore copy @9 _VF_DATA_ @68
 12:ENTITYTYPE=49:VERSION=225:Information=External face11:FaceSense=0 #
 integer_attrib-name_attrib-gen-attrib \$-1 -1 \$901 \$-1 \$528 lose lose ignore keep @15 VF_ID_NUM_LOCAL 4 #
 face \$902 -1 -1 \$-1 \$656 \$903 \$212 \$-1 \$904 forward single T 1.687868417735416 0 0 8.599999999999996 2.120000000000001
 56.319564344979476 F #
 loop \$-1 -1 -1 \$-1 \$905 \$528 T -3.599559625954754 2.119999999999997 0 8.599999999999996 2.120000000000001
 56.319564344979476 unknown #
 plane-surface \$-1 -1 -1 \$-1 0 2.120000000000001 -5 0 -1 0 0 -1 forward_v I I I I #
 coedge \$-1 -1 -1 \$-1 \$906 \$907 \$908 \$909 forward \$529 \$-1 #
 coedge \$-1 -1 -1 \$-1 \$910 \$531 \$907 \$911 reversed \$435 \$-1 #
 coedge \$-1 -1 -1 \$-1 \$531 \$910 \$912 \$913 forward \$435 \$-1 #
 coedge \$-1 -1 -1 \$-1 \$676 \$908 \$531 \$672 reversed \$363 \$-1 #
 edge \$914 -1 -1 \$-1 \$915 1.0816256220050717 \$916 6.7212354443747877 \$531 \$917 forward @7 unknown T -9.0833465800063209
 2.149999999999995 53.733624414536486 -3.5995596259547247 2.149999999999999 55.050165181524932 #
 coedge \$-1 -1 -1 \$-1 \$918 \$532 \$919 \$920 reversed \$363 \$-1 #
 coedge \$-1 -1 -1 \$-1 \$921 \$922 \$532 \$675 forward \$923 \$-1 #
 edge \$924 -1 -1 \$-1 \$925 -12.207525275937126 \$683 4.5172373549028881 \$674 \$926 forward @7 unknown T -14.574787690284523
 -8.8817841970012523e-016 52.415246047219362 1.6878684177354177 0 56.319564344979469 #
 coedge \$-1 -1 -1 \$-1 \$533 \$671 \$927 \$928 reversed \$363 \$-1 #
 coedge \$-1 -1 -1 \$-1 \$929 \$930 \$533 \$678 forward \$659 \$-1 #

```

edge $931 -1 -1 $-1 $684 -1.7459830817695126 $932 3.9014983911583316 $677 $933 forward @7 unknown T -14.574787690284523
2.1299999999999994 52.41524604721937 -9.0833465800063209 2.1300000000000003 53.733624414536493 #
coedge $-1 -1 -1 $-1 $934 $534 $930 $935 forward $681 $-1 #
coedge $-1 -1 -1 $-1 $534 $934 $921 $936 reversed $681 $-1 #
loop $-1 -1 -1 $-1 $534 $894 T -14.574787690284523 0 0 -8.5999999999999943 2.1300000000000003 52.415246047219377
unknown #
integer_attrib-name_attrib-gen-attrib $-1 -1 $-1 $535 lose lose ignore keep @15 VF_ID_NUM_LOCAL 1 #
vertex $937 -1 -1 $-1 $936 $938 #
vertex $939 -1 -1 $-1 $935 $940 #
straight-curve $-1 -1 -1 $-1 -14.574787690284523 1.0649999999999995 52.41524604721937 0 1 0 II #
string_attrib-name_attrib-gen-attrib $-1 -1 $-1 $537 custom custom ignore copy @9 _VF_DATA_ @68
12:ENTITYTYPE=29:VERSION=36:Size=617:MaterialLabel=Air11:Potential=5 #
cface $941 -1 $942 $366 $943 0 #
integer_attrib-name_attrib-gen-attrib $-1 -1 $944 $-1 $538 lose lose ignore keep @15 VF_ID_NUM_LOCAL 15 #
face $945 -1 -1 $-1 $946 $711 $215 $-1 $947 reversed single T -48.902553611942238 0 47.534981229876706 -34.90255361194221
34.150000000000034 47.534981229876706 F #
loop $-1 -1 -1 $-1 $704 $538 T -34.90255361194221 19.150000000000006 47.534981229876706 21.827642113708805
34.149999999999999 61.154696222063265 unknown #
plane-surface $-1 -1 -1 $-1 -71.049026749806728 30 38.856980813815447 -0.23344536385590536 0 0.97236992039767656
0.97236992039767656 0 0.23344536385590536 forward_v IIII #
string_attrib-name_attrib-gen-attrib $-1 -1 $948 $539 $306 custom custom ignore copy @9 _VF_DATA_ @68
12:ENTITYTYPE=49:VERSION=225:Information=External face11:FaceSense=1 #
real_attrib-name_attrib-gen-attrib $-1 -1 $949 $540 $368 lose lose lose keep @11 VF_FACEAREA 1129.8499999999995 #
integer_attrib-name_attrib-gen-attrib $-1 -1 $950 $541 $442 lose lose ignore keep @15 VF_ID_NUM_LOCAL 10 #
rgb_color-st-attrib $-1 -1 $951 $-1 $542 0.60000002384185791 0.60000002384185791 0.60000002384185791 #
loop $-1 -1 -1 $-1 $952 $542 T 12.523104589954876 0 61.15469622206308 21.862837159370077 19.150000000000002
100.0574821461542 unknown #
plane-surface $-1 -1 -1 $-1 17.308734549000931 9.575000000000011 80.123898778001859 -0.97236992039767667 0 -
0.23344536385590539 -0.2334453638559052 0 0.97236992039767589 forward_v IIII #
coedge $-1 -1 -1 $-1 $707 $953 $709 $954 reversed $543 $-1 #
coedge $-1 -1 -1 $-1 $955 $545 $956 $957 reversed $443 $-1 #
coedge $-1 -1 -1 $-1 $545 $955 $706 $958 reversed $443 $-1 #
coedge $-1 -1 -1 $-1 $959 $960 $545 $702 forward $696 $-1 #
edge $961 -1 -1 $-1 $962 -9.575000000000011 $963 9.575000000000011 $701 $964 forward @7 unknown T 12.523104589954876
0 100.0574821461542 12.523104589954876 19.150000000000002 100.0574821461542 #
coedge $-1 -1 -1 $-1 $965 $546 $966 $967 reversed $369 $-1 #
coedge $-1 -1 -1 $-1 $968 $969 $546 $705 forward $690 $-1 #
edge $970 -1 -1 $-1 $971 -62.490777396251836 $713 -4.1485821723912801 $704 $972 forward @7 unknown T -34.90255361194221
19.150000000000006 47.534981229876706 21.827642113708784 19.150000000000006 61.154696222063265 #
coedge $-1 -1 -1 $-1 $547 $965 $700 $958 forward $369 $-1 #
coedge $-1 -1 -1 $-1 $973 $698 $547 $708 reversed $543 $-1 #
edge $974 -1 -1 $-1 $975 -20.500000000000014 $714 19.350291165867809 $547 $976 forward @7 unknown T -44.846720713508006
19.150000000000002 47.534981229876706 -35.543854992528225 19.150000000000002 86.284205678655809 #
coedge $-1 -1 -1 $-1 $977 $548 $698 $954 forward $711 $-1 #
coedge $-1 -1 -1 $-1 $548 $978 $968 $979 forward $711 $-1 #
loop $-1 -1 -1 $-1 $548 $689 T -48.902553611942238 0 47.534981229876706 -34.90255361194221 34.150000000000034
47.534981229876706 unknown #
integer_attrib-name_attrib-gen-attrib $-1 -1 $-1 $549 lose lose ignore keep @15 VF_ID_NUM_LOCAL 4 #
vertex $980 -1 -1 $-1 $549 $981 #
vertex $982 -1 -1 $-1 $549 $983 #
straight-curve $-1 -1 -1 $-1 -35.1387274543508 19.150000000000006 47.534981229876706 -1 0 0 II #
string_attrib-name_attrib-gen-attrib $-1 -1 $-1 $551 custom custom ignore copy @9 _VF_DATA_ @68
12:ENTITYTYPE=29:VERSION=36:Size=317:MaterialLabel=Air11:Potential=2 #
cface $984 -1 $985 $372 $556 0 #
rgb_color-st-attrib $-1 -1 $986 $-1 $552 0.60000002384185791 0.60000002384185791 0.60000002384185791 #
loop $-1 -1 -1 $-1 $987 $552 T 12.523104589954876 0 61.15469622206308 21.862837159370077 19.150000000000002
100.0574821461542 unknown #
plane-surface $-1 -1 -1 $-1 17.308734549000931 9.575000000000011 80.123898778001859 -0.97236992039767667 0 -
0.23344536385590539 -0.2334453638559052 0 0.97236992039767589 forward_v IIII #
string_attrib-name_attrib-gen-attrib $-1 -1 $988 $553 $308 custom custom ignore copy @9 _VF_DATA_ @68
12:ENTITYTYPE=49:VERSION=225:Information=External face11:FaceSense=1 #
rgb_color-st-attrib $-1 -1 $989 $554 $374 0.60000002384185791 0.60000002384185791 0.60000002384185791 #
rgb_color-st-attrib $-1 -1 $990 $555 $450 0.60000002384185791 0.60000002384185791 0.60000002384185791 #
integer_attrib-name_attrib-gen-attrib $-1 -1 $991 $-1 $556 lose lose ignore keep @15 VF_ID_NUM_LOCAL 5 #
face $992 -1 -1 $-1 $993 $994 $218 $-1 $995 reversed single T -44.846720713508006 19.150000000000002 47.534981229876706
21.862837159370077 19.150000000000006 100.0574821461542 F #
loop $-1 -1 -1 $-1 $996 $556 T -34.90255361194221 -1.7763568394002505e-015 47.534981229876706 21.827642113708784
19.150000000000006 61.154696222063265 unknown #
plane-surface $-1 -1 -1 $-1 -71.049026749806728 30 38.856980813815447 -0.23344536385590536 0 0.97236992039767656
0.97236992039767656 0 0.23344536385590536 forward_v IIII #
coedge $-1 -1 -1 $-1 $997 $998 $561 $736 forward $557 $-1 #
coedge $-1 -1 -1 $-1 $999 $559 $987 $1000 reversed $451 $-1 #

```



```

coedge $-1 -1 -1 $-1 $559 $999 $1001 $1002 reversed $451 $-1 #
coedge $-1 -1 -1 $-1 $1003 $1004 $559 $732 forward $994 $-1 #
edge $1005 -1 -1 $-1 $1006 -5.3190156823081516 $1007 -5.2838206366468228 $731 $1008 forward @7 unknown T
21.827642113708748 19.150000000000002 61.15469622206308 21.862837159370077 19.150000000000006 61.154696222063265 #
coedge $-1 -1 -1 $-1 $561 $560 $1009 $1010 reversed $375 $-1 #
coedge $-1 -1 -1 $-1 $1011 $1003 $560 $735 forward $994 $-1 #
edge $1012 -1 -1 $-1 $1013 -0.23617384240858996 $741 0.40512753817742464 $734 $1014 forward @7 unknown T -
35.543854992528225 19.150000000000002 47.534981229876706 -34.90255361194221 19.150000000000006 47.534981229876706 #
edge $1015 -1 -1 $-1 $742 -0.40512753817742464 $1016 0.23617384240863259 $728 $1017 forward @7 unknown T -
35.543854992528225 0 47.534981229876706 -34.902553611942167 0 47.534981229876706 #
coedge $-1 -1 -1 $-1 $1018 $562 $998 $1019 reversed $739 $-1 #
coedge $-1 -1 -1 $-1 $562 $1018 $1011 $1020 forward $739 $-1 #
loop $-1 -1 -1 $-1 $562 $1021 T -44.846720713508006 0 47.534981229876706 -35.543854992528225 19.150000000000002
86.284205678655809 unknown #
integer_attrib-name_attrib-gen-attr $-1 -1 $-1 $563 lose lose ignore keep @15 VF_ID_NUM_LOCAL 5 #
vertex $1022 -1 -1 $-1 $735 $1023 #
vertex $1024 -1 -1 $-1 $736 $1025 #
straight-curve $-1 -1 -1 $-1 -35.543854992528225 19.787500000000001 47.534981229876706 0 -1 0 II #
string_attrib-name_attrib-gen-attr $-1 -1 $1026 $564 $40 keep keep_kee ignore copy @14 VF_COLOUR_DATA @49
8:NAME=1869:VERSION=212:List=Packing10:Label=0.96 #
string_attrib-name_attrib-gen-attr $-1 -1 $-1 $566 $457 custom custom ignore copy @9 _VF_DATA_ @86
12:ENTITYTYPE=29:VERSION=38:Size=0.517:MaterialLabel=Air11:Potential=213:ElementType=7 #
integer_attrib-name_attrib-gen-attr $-1 -1 $1027 $-1 $567 lose lose ignore keep @15 VF_ID_NUM_LOCAL 9 #
cell3d-cell $1028 -1 $1029 $127 $-1 1 $1030 #
cshell $-1 -1 $-1 $1031 $567 #
cface $1032 -1 $1033 $568 $1034 0 #
string_attrib-name_attrib-gen-attr $-1 -1 $-1 $569 custom custom ignore copy @9 _VF_DATA_ @86
12:ENTITYTYPE=29:VERSION=38:Size=0.517:MaterialLabel=Air11:Potential=213:ElementType=7 #
cface $1035 -1 $1036 $458 $1037 0 #
face $1038 -1 -1 $-1 $1039 $1040 $221 $-1 $577 forward double in T 1.687868417735416 0.3999999999999999 10
8.599999999999999 0.6000000000000000 56.319564344979476 F #
string_attrib-name_attrib-gen-attr $-1 -1 $-1 $571 custom custom ignore copy @9 _VF_DATA_ @86
12:ENTITYTYPE=29:VERSION=38:Size=0.517:MaterialLabel=Air11:Potential=213:ElementType=7 #
cface $1041 -1 $1042 $380 $1043 0 #
face $1044 -1 -1 $-1 $1045 $1046 $221 $-1 $762 reversed double in T -14.574787690284538 -1.7763568394002505e-015
52.415246047219355 1.687868417735416 0.20000000000000001 56.319564344979469 F #
fmesh-eye-attr $-1 -1 $1047 $572 $311 #
integer_attrib-name_attrib-gen-attr $-1 -1 $1048 $573 $382 lose lose ignore keep @15 VF_ID_NUM_LOCAL 24 #
fmesh-eye-attr $-1 -1 $1049 $574 $462 #
fctd_mark-eye-attr $-1 -1 $1050 $-1 $575 #
face $1051 -1 -1 $-1 $1052 $1053 $221 $-1 $1054 forward double in T -14.574787690284523 0.1999999999999999 0 -
8.599999999999994 0.4000000000000000 52.415246047219377 F #
loop $1055 -1 -1 $-1 $582 $575 T -14.574787690284527 0.1999999999999999 52.415246047219355 1.687868417735416
0.4000000000000000 56.319564344979469 unknown #
plane-surface $-1 -1 -1 $-1 -71.049026749806728 30 38.856980813815447 -0.23344536385590536 0 0.97236992039767656
0.97236992039767656 0 0.23344536385590536 forward_v IIII #
integer_attrib-name_attrib-gen-attr $-1 -1 $-1 $576 lose lose ignore keep @15 VF_ID_NUM_LOCAL 75 #
coedge $-1 -1 -1 $-1 $1056 $1057 $1058 $771 forward $576 $-1 #
coedge $-1 -1 -1 $-1 $1059 $579 $1060 $1061 reversed $463 $-1 #
coedge $-1 -1 -1 $-1 $579 $1059 $1062 $1063 reversed $463 $-1 #
coedge $-1 -1 -1 $-1 $581 $580 $1064 $768 forward $383 $-1 #
edge $1065 -1 -1 $-1 $1066 -8.599999999999996 $1067 8.599999999999996 $1064 $1068 forward @7 unknown T -
8.599999999999996 0.20000000000000001 0 8.599999999999996 0.2000000000000018 0 #
coedge $-1 -1 -1 $-1 $1069 $1070 $1071 $770 forward $1072 $-1 #
edge $1073 -1 -1 $-1 $776 -0.2269992043072836 $1066 0 $769 $1074 forward @7 unknown T -14.574787690284523
0.20000000000000001 0 -8.599999999999994 0.20000000000000001 52.415246047219377 #
edge $1075 -1 -1 $-1 $1067 0 $777 0.24423969373118543 $764 $1076 forward @7 unknown T 1.687868417735416
0.20000000000000001 0 8.599999999999996 0.2000000000000018 56.319564344979476 #
coedge $-1 -1 -1 $-1 $1077 $582 $1078 $1079 reversed $761 $-1 #
coedge $-1 -1 -1 $-1 $582 $1077 $1080 $1081 reversed $761 $-1 #
coedge $-1 -1 -1 $-1 $1082 $1083 $466 $583 forward $1046 $-1 #
integer_attrib-name_attrib-gen-attr $-1 -1 $1084 $-1 $583 copy keep_all ignore copy @7 VF_PAIR 43 #
vertex $1085 -1 -1 $-1 $1086 $1087 #
vertex $1088 -1 -1 $-1 $1081 $1089 #
straight-curve $-1 -1 -1 $-1 -42.438146628710079 0.1999999999999999 45.725845409478296 0.97236992039767645 0
0.23344536385590534 II #
string_attrib-name_attrib-gen-attr $-1 -1 $1090 $584 $41 keep keep_kee ignore copy @10 VF_PR_VERT @8 1,94,4,0 #
string_attrib-name_attrib-gen-attr $-1 -1 $1091 $585 $45 keep keep_kee ignore copy @10 VF_PR_VERT @9 5,66,64,2 #
string_attrib-name_attrib-gen-attr $-1 -1 $1092 $586 $49 keep keep_kee ignore copy @10 VF_PR_VERT @9 9,66,70,4 #
string_attrib-name_attrib-gen-attr $-1 -1 $1093 $587 $53 keep keep_kee ignore copy @10 VF_PR_VERT @10 13,66,74,6 #
string_attrib-name_attrib-gen-attr $-1 -1 $1094 $588 $57 keep keep_kee ignore copy @10 VF_PR_VERT @10 17,66,78,8 #
string_attrib-name_attrib-gen-attr $-1 -1 $1095 $589 $61 keep keep_kee ignore copy @10 VF_PR_VERT @11 21,66,82,10 #

```

```

string_attrib-name_attrib-gen-attrb $-1 -1 $1096 $590 $65 keep keep_kept ignore copy @10 VF_PR_VERT @11 25,66,86,12 #
string_attrib-name_attrib-gen-attrb $-1 -1 $1097 $591 $69 keep keep_kept ignore copy @10 VF_PR_VERT @11 29,66,90,14 #
string_attrib-name_attrib-gen-attrb $-1 -1 $1098 $592 $73 keep keep_kept ignore copy @10 VF_PR_VERT @11 33,65,96,16 #
string_attrib-name_attrib-gen-attrb $-1 -1 $1099 $593 $77 keep keep_kept ignore copy @10 VF_PR_VERT @12 37,66,100,18 #
string_attrib-name_attrib-gen-attrb $-1 -1 $1100 $594 $0 keep keep_kept ignore copy @14 VF_COLOUR_DATA @66
8:NAME=2329:VERSION=29:List=CLCS31:Label=Local Coordinate System18 #
string_attrib-name_attrib-gen-attrb $-1 -1 $-1 $-1 $596 custom custom ignore copy @9 _VF_DATA_ @68
12:ENTITYTYPE=29:VERSION=36:Size=117:MaterialLabel=Air11:Potential=2 #
cface $1101 -1 $1102 $346 $822 0 #
string_attrib-name_attrib-gen-attrb $-1 -1 $-1 $-1 $598 custom custom ignore copy @9 _VF_DATA_ @68
12:ENTITYTYPE=29:VERSION=36:Size=117:MaterialLabel=Air11:Potential=2 #
cface $1103 -1 $1104 $411 $1105 0 #
face $1106 -1 -1 $-1 $1105 $1107 $299 $-1 $505 reversed single T 1.687868417735416 -1.7763568394002505e-015 0 30 0
61.154696222063265 F #
integer_attrib-name_attrib-gen-attrb $-1 -1 $1108 $-1 $599 lose lose ignore keep @15 VF_ID_NUM_LOCAL 13 #
loop $-1 -1 -1 $-1 $-1 $806 $599 T 1.687868417735416 -1.7763568394002505e-015 56.31956434497944 21.82764211370878
19.150000000000134 61.154696222063265 unknown #
rgb_color-st-attrb $-1 -1 $1109 $600 $348 0.60000002384185791 0.60000002384185791 0.60000002384185791 #
string_attrib-name_attrib-gen-attrb $-1 -1 $1110 $601 $413 custom custom ignore copy @9 _VF_DATA_ @87
12:ENTITYTYPE=49:VERSION=225:Information=External face16:FaceDirection=-111:FaceSense=0 #
string_attrib-name_attrib-gen-attrb $-1 -1 $1111 $602 $496 custom custom ignore copy @9 _VF_DATA_ @89
12:ENTITYTYPE=49:VERSION=225:Information=External face18:BoundaryLabel=tang11:FaceSense=0 #
integer_attrib-name_attrib-gen-attrb $-1 -1 $1112 $-1 $603 lose lose ignore keep @15 VF_ID_NUM_LOCAL 3 #
loop $-1 -1 -1 $-1 $-1 $1113 $603 T 1.687868417735416 0 0 8.599999999999999 2.1500000000001194 56.319564344979455
unknown #
cone-surface $-1 -1 -1 $-1 -224.30000000000001 4 0 0 -1 0 232.90000000000001 0 0 1 110 1 232.90000000000001 forward IIII #
coedge $-1 -1 -1 $-1 $1114 $1115 $1116 $1117 reversed $604 $-1 #
coedge $-1 -1 -1 $-1 $1118 $606 $1119 $1120 reversed $497 $-1 #
coedge $-1 -1 -1 $-1 $606 $1118 $607 $809 forward $497 $-1 #
coedge $-1 -1 -1 $-1 $609 $1121 $606 $807 reversed $796 $-1 #
edge $1122 -1 -1 $-1 $815 31.343314909546763 $1123 48.175806334853718 $606 $1124 forward @7 unknown T
5.4602337663884803 19.150000000000006 57.225229136680909 21.82764211370878 19.150000000000006 61.154696222063265 #
coedge $-1 -1 -1 $-1 $608 $607 $1114 $1125 forward $414 $-1 #
edge $1126 -1 -1 $-1 $1127 0 $815 0.24824928922906941 $607 $1128 forward @7 unknown T 5.4602337663884271
19.150000000000006 0 12.599999999999999 19.150000000000006 57.225229136680909 #
coedge $-1 -1 -1 $-1 $1116 $1113 $608 $811 reversed $801 $-1 #
edge $1129 -1 -1 $-1 $1130 0 $814 0.24423969373118531 $608 $1131 forward @7 unknown T 1.687868417735416
2.149999999999915 0 8.599999999999999 2.1500000000001194 56.319564344979455 #
coedge $-1 -1 -1 $-1 $1132 $609 $1113 $1133 reversed $796 $-1 #
integer_attrib-name_attrib-gen-attrb $-1 -1 $-1 $-1 $610 lose lose ignore keep @15 VF_ID_NUM_LOCAL 26 #
vertex $1134 -1 -1 $-1 $1133 $1135 #
vertex $1136 -1 -1 $-1 $610 $1137 #
ellipse-curve $-1 -1 -1 $-1 -232.89999999999998 -34.399999999999849 0 -0.23344536385590536 0 0.97236992039767656
945.93845603790157 4239.7673870500294 227.09973069174026 0.052188592540996323 II #
rgb_color-st-attrb $-1 -1 $-1 $611 $300 0.60000002384185791 0.60000002384185791 0.60000002384185791 #
cface_ptr-ct-attrb $-1 -1 $1138 $612 $350 $-1 $596 #
real_attrib-name_attrib-gen-attrb $-1 -1 $1139 $613 $418 lose lose lose keep @11 VF_FACEAREA 1069.5120699140293 #
string_attrib-name_attrib-gen-attrb $-1 -1 $1140 $614 $503 custom custom ignore copy @9 _VF_DATA_ @68
12:ENTITYTYPE=49:VERSION=225:Information=External face11:FaceSense=0 #
integer_attrib-name_attrib-gen-attrb $-1 -1 $1141 $-1 $615 lose lose ignore keep @15 VF_ID_NUM_LOCAL 9 #
face $1142 -1 -1 $-1 $1143 $834 $206 $-1 $1144 reversed single T -34.90255361194221 0 0 -29.99999999999972
19.150000000000006 47.534981229876706 F #
loop $-1 -1 -1 $-1 $-1 $838 $615 T -14.574787690284523 0 0 -8.599999999999943 2.150000000000119 52.415246047219362
unknown #
cone-surface $-1 -1 -1 $-1 -241.5 0 0 0 1 0 232.90000000000001 0 0 1 110 -1 232.90000000000001 forward IIII #
coedge $-1 -1 -1 $-1 $1145 $618 $833 $1146 forward $504 $-1 #
coedge $-1 -1 -1 $-1 $618 $1145 $1147 $1148 forward $504 $-1 #
edge $1149 -1 -1 $-1 $1150 -28.655101678824131 $836 -7.7497183517215573 $618 $1151 forward @7 unknown T -
34.902553611942167 -1.7763568394002505e-015 47.534981229876706 -14.574787690284523 0 52.415246047219355 #
coedge $-1 -1 -1 $-1 $620 $619 $1152 $1153 forward $419 $-1 #
coedge $-1 -1 -1 $-1 $625 $1154 $619 $830 forward $616 $-1 #
edge $1155 -1 -1 $-1 $1156 0 $629 0.22298960880939944 $619 $1157 forward @7 unknown T -18.366448438384964
19.150000000000006 0 -12.599999999999999 19.150000000000006 51.504948839962623 #
coedge $-1 -1 -1 $-1 $1158 $622 $620 $832 reversed $834 $-1 #
edge $1159 -1 -1 $-1 $1160 0 $628 0.20554466681645578 $831 $1161 forward @7 unknown T -34.90255361194221
19.150000000000006 0 -29.99999999999972 19.150000000000006 47.534981229876706 #
coedge $-1 -1 -1 $-1 $622 $1158 $825 $1146 reversed $834 $-1 #
loop $-1 -1 -1 $-1 $-1 $622 $822 T -34.90255361194221 0 0 -29.99999999999972 19.150000000000006 47.534981229876706
unknown #
integer_attrib-name_attrib-gen-attrb $-1 -1 $-1 $-1 $623 lose lose ignore keep @15 VF_ID_NUM_LOCAL 4 #
vertex $1162 -1 -1 $-1 $1146 $1163 #
straight-curve $-1 -1 -1 $-1 -34.90255361194221 9.5750000000000028 47.534981229876706 0 1 0 II #

```

```

coedge $-1 -1 -1 $-1 $1147 $1164 $624 $839 forward $823 $-1 #
edge $1165 -1 -1 $-1 $842 -1.0749999999999034 $1150 1.0750000000000064 $838 $1166 forward @7 unknown T -
14.574787690284523 0 52.415246047219355 -14.574787690284523 2.1499999999999098 52.415246047219355 #
coedge $-1 -1 -1 $-1 $1154 $625 $1164 $1167 forward $616 $-1 #
integer_attrib-name_attrib-gen-attrib $-1 -1 $-1 $-1 $626 lose lose ignore keep @15 VF_ID_NUM_LOCAL 10 #
vertex $1168 -1 -1 $-1 $1167 $1169 #
ellipse-curve $-1 -1 -1 $-1 -232.90000000000001 -34.39999999999999 0 0.23344536385590536 0 -0.97236992039767656
945.93845603790157 -4239.7673870500294 227.09973069174026 0.052188592540996323 II #
integer_attrib-name_attrib-gen-attrib $-1 -1 $-1 $-1 $628 lose lose ignore keep @15 VF_ID_NUM_LOCAL 9 #
point $-1 -1 -1 $-1 -34.90255361194221 19.150000000000006 47.534981229876706 #
integer_attrib-name_attrib-gen-attrib $-1 -1 $-1 $-1 $629 lose lose ignore keep @15 VF_ID_NUM_LOCAL 12 #
point $-1 -1 -1 $-1 -18.366448438384964 19.150000000000006 51.504948839962623 #
string_attrib-name_attrib-gen-attrib $-1 -1 $-1 $-1 $632 custom custom ignore copy @9 _VF_DATA_ @89
12:ENTITYTYPE=29:VERSION=36:Size=319:MaterialLabel=ferro11:Potential=516:VolumeLabel=pack #
cface $1170 -1 $1171 $354 $1172 0 #
face $1173 -1 -1 $-1 $1174 $1175 $209 $-1 $1176 forward single T -48.902553611942238 0 0 -43.999999999999972
29.1500000000000041 47.534981229876763 F #
integer_attrib-name_attrib-gen-attrib $-1 -1 $1177 $-1 $633 lose lose ignore keep @15 VF_ID_NUM_LOCAL 11 #
loop $-1 -1 -1 $-1 $1178 $633 T -48.90255361194221 0 0 -29.999999999999972 0 47.534981229876706 unknown #
plane-surface $-1 -1 -1 $-1 -50 0 -50 0 1 0 0 0 1 reverse_v IIII #
cface_ptr-ct-attrib $-1 -1 $-1 $634 $302 $-1 $1179 #
cface_ptr-ct-attrib $-1 -1 $1180 $635 $356 $-1 $1181 #
real_attrib-name_attrib-gen-attrib $-1 -1 $1182 $636 $426 lose lose lose keep @11 VF_FACEAREA 916.73640806473168 #
real_attrib-name_attrib-gen-attrib $-1 -1 $1183 $637 $515 lose lose lose keep @11 VF_FACEAREA 1225.8511274389227 #
integer_attrib-name_attrib-gen-attrib $-1 -1 $1184 $-1 $638 lose lose ignore keep @15 VF_ID_NUM_LOCAL 4 #
face $1185 -1 -1 $-1 $1172 $1186 $209 $-1 $1187 forward single T -34.90255361194221 19.150000000000006 0 -
12.599999999999994 19.150000000000006 51.50494883996263 F #
loop $-1 -1 -1 $-1 $1188 $638 T -18.366448438385049 2.14999999999995154 0 -8.5999999999999943 19.1500000000000205
52.415246047219384 unknown #
cone-surface $-1 -1 -1 $-1 -245.5 19.150000000000006 0 0.22903933372554727 -0.97341716833357594 0 0 232.90000000000001
0.97341716833357605 II 0 -1 232.90000000000001 forward IIII #
coedge $-1 -1 -1 $-1 $1189 $648 $1190 $1191 reversed $639 $-1 #
coedge $-1 -1 -1 $-1 $1192 $641 $1193 $1194 reversed $516 $-1 #
coedge $-1 -1 -1 $-1 $641 $1192 $1195 $1196 forward $516 $-1 #
edge $1197 -1 -1 $-1 $881 -9.5750000000000028 $1198 9.5750000000000028 $641 $1199 forward @7 unknown T -
34.90255361194221 0 47.534981229876706 -34.902553611942167 19.150000000000006 47.534981229876706 #
coedge $-1 -1 -1 $-1 $1200 $642 $1201 $1202 forward $427 $-1 #
coedge $-1 -1 -1 $-1 $648 $1203 $642 $868 reversed $639 $-1 #
edge $1204 -1 -1 $-1 $652 19.320728947052711 $1205 77.662924170913215 $642 $1206 forward @7 unknown T -
34.90255361194221 34.149999999999999 47.534981229876706 21.827642113708748 34.149999999999999 61.154696222063087 #
coedge $-1 -1 -1 $-1 $643 $1200 $1207 $1208 forward $427 $-1 #
coedge $-1 -1 -1 $-1 $1209 $645 $643 $871 forward $876 $-1 #
edge $1210 -1 -1 $-1 $651 1.3652516599784406 $1211 1.5707963267948966 $870 $1212 forward @7 unknown T -
43.902553611942267 34.149999999999999 1.4260540990261583e-014 -39.000000000000028 34.149999999999999
47.534981229876763 #
coedge $-1 -1 -1 $-1 $647 $644 $1178 $1213 reversed $357 $-1 #
coedge $-1 -1 -1 $-1 $1214 $1215 $644 $874 forward $1175 $-1 #
edge $1216 -1 -1 $-1 $1217 -14.575000000000019 $878 14.575000000000022 $873 $1218 forward @7 unknown T -
48.902553611942238 0 47.534981229876706 -48.90255361194221 29.150000000000041 47.534981229876706 #
coedge $-1 -1 -1 $-1 $645 $1209 $1214 $1219 forward $876 $-1 #
loop $-1 -1 -1 $-1 $645 $1174 T -48.902553611942238 29.150000000000041 0 -39.000000000000014 34.150000000000034
47.534981229876763 unknown #
integer_attrib-name_attrib-gen-attrib $-1 -1 $-1 $-1 $646 lose lose ignore keep @15 VF_ID_NUM_LOCAL 3 #
vertex $1220 -1 -1 $-1 $874 $1221 #
straight-curve $-1 -1 -1 $-1 -157.90127680597112 -79.84872319402885 47.534981229876706 0.70710678118654757
0.70710678118654757 0 III #
integer_attrib-name_attrib-gen-attrib $-1 -1 $-1 $-1 $649 lose lose ignore keep @15 VF_ID_NUM_LOCAL 17 #
vertex $1222 -1 -1 $-1 $865 $1223 #
straight-curve $-1 -1 -1 $-1 -34.90255361194221 30 47.534981229876706 0 -1 0 II #
integer_attrib-name_attrib-gen-attrib $-1 -1 $-1 $-1 $651 lose lose ignore keep @15 VF_ID_NUM_LOCAL 4 #
point $-1 -1 -1 $-1 -43.902553611942267 34.149999999999999 47.534981229876706 #
integer_attrib-name_attrib-gen-attrib $-1 -1 $-1 $-1 $652 lose lose ignore keep @15 VF_ID_NUM_LOCAL 1 #
point $-1 -1 -1 $-1 -34.90255361194221 34.149999999999999 47.534981229876706 #
string_attrib-name_attrib-gen-attrib $-1 -1 $-1 $-1 $655 custom custom ignore copy @9 _VF_DATA_ @86
12:ENTITYTYPE=29:VERSION=38:Size=0.517:MaterialLabel=Air11:Potential=213:ElementType=7 #
cface $1224 -1 $1225 $360 $1226 0 #
integer_attrib-name_attrib-gen-attrib $-1 -1 $1227 $-1 $656 lose lose ignore keep @15 VF_ID_NUM_LOCAL 7 #
loop $-1 -1 -1 $-1 $927 $656 T -9.0833465800063493 2.129999999999999 0 -2.799999999999994 2.149999999999999
53.733624414536493 unknown #
cone-surface $-1 -1 -1 $-1 -235.70000000000002 0 0 0 1 0 232.90000000000001 0 0 1 II 0 -1 232.90000000000001 forward IIII #
real_attrib-name_attrib-gen-attrib $-1 -1 $1228 $657 $524 lose lose lose keep @11 VF_FACEAREA 307.83261254032186 #

```

```

string_attrib-name_attrib-gen-attr $-1 -1 $1229 $-1 $658 custom custom ignore copy @9_VF_DATA_ @105
12:ENTITYTYPE=49:VERSION=225:Information=External face13:ElementType=718:BoundaryLabel=tang11:FaceSense=0 #
face $1230 -1 -1 $-1 $1226 $681 $212 $-1 $1231 forward single T -14.574787690284523 0 0 -8.599999999999943
2.1300000000000003 52.415246047219377 F #
loop $-1 -1 -1 $-1 $1232 $658 T -8.599999999999996 0 0 8.599999999999996 2.1500000000000004 0 unknown #
plane-surface $-1 -1 -1 $-1 0 2.5 0 0 0 1 1 0 0 forward_v I I I I #
rgb_color-st-attr $-1 -1 $-1 $661 $304 0.60000002384185791 0.60000002384185791 0.60000002384185791 #
cface $1233 -1 $1234 $360 $304 0 #
cface_ptr-ct-attr $-1 -1 $1235 $662 $362 $-1 $1236 #
real_attrib-name_attrib-gen-attr $-1 -1 $1237 $663 $434 lose lose lose keep @11 VF_FACEAREA 1.667283204707406 #
string_attrib-name_attrib-gen-attr $-1 -1 $1238 $664 $528 custom custom ignore copy @9_VF_DATA_ @68
12:ENTITYTYPE=49:VERSION=225:Information=External face11:FaceSense=1 #
integer_attrib-name_attrib-gen-attr $-1 -1 $1239 $-1 $665 lose lose ignore keep @15 VF_ID_NUM_LOCAL 5 #
loop $-1 -1 -1 $-1 $919 $665 T 1.687868417735416 0 0 8.599999999999996 2.1200000000000001 56.319564344979476
unknown #
cone-surface $-1 -1 -1 $-1 -224.30000000000001 4 0 0 -1 0 232.90000000000001 0 0 1 I I 0 1 232.90000000000001 forward I I I I #
coedge $-1 -1 -1 $-1 $1240 $1241 $918 $1242 forward $666 $-1 #
coedge $-1 -1 -1 $-1 $1243 $668 $1241 $1244 forward $529 $-1 #
coedge $-1 -1 -1 $-1 $668 $1243 $669 $911 forward $529 $-1 #
coedge $-1 -1 -1 $-1 $671 $918 $668 $909 reversed $363 $-1 #
edge $1245 -1 -1 $-1 $916 -0.015000000000000124 $1246 0.015000000000000124 $668 $1247 forward @7 unknown T -
3.5995596259547256 2.1199999999999997 55.050165181524932 -3.5995596259547256 2.1499999999999999 55.050165181524932 #
coedge $-1 -1 -1 $-1 $670 $669 $1248 $1249 forward $435 $-1 #
edge $1250 -1 -1 $-1 $1251 0 $916 0.23862647841812534 $907 $1252 forward @7 unknown T -3.599559625954754
2.1499999999999995 0 3 2.1499999999999999 55.050165181524932 #
coedge $-1 -1 -1 $-1 $1253 $927 $670 $913 reversed $890 $-1 #
edge $1254 -1 -1 $-1 $1255 0 $915 0.23281288879208556 $670 $1256 forward @7 unknown T -9.0833465800063493
2.1499999999999995 0 -2.7999999999999998 2.1499999999999999 53.733624414536493 #
integer_attrib-name_attrib-gen-attr $-1 -1 $-1 $672 lose lose ignore keep @15 VF_ID_NUM_LOCAL 9 #
vertex $1257 -1 -1 $-1 $928 $1258 #
vertex $1259 -1 -1 $-1 $909 $1260 #
straight-curve $-1 -1 -1 $-1 -10.135086799975479 2.1499999999999995 53.481123927651645 0.97236992039767578 0
0.23344536385590517 I I #
coedge $-1 -1 -1 $-1 $908 $673 $905 $1242 reversed $363 $-1 #
coedge $-1 -1 -1 $-1 $1261 $1262 $673 $920 forward $903 $-1 #
edge $1263 -1 -1 $-1 $1264 -1.0599999999999992 $925 1.0600000000000005 $919 $1265 forward @7 unknown T
1.687868417735416 0 56.319564344979469 1.687868417735416 2.1199999999999997 56.319564344979469 #
coedge $-1 -1 -1 $-1 $1266 $674 $680 $936 forward $923 $-1 #
coedge $-1 -1 -1 $-1 $674 $1266 $1261 $1267 forward $923 $-1 #
loop $-1 -1 -1 $-1 $674 $1226 T -14.574787690284523 -8.8817841970012523e-016 0 8.599999999999996 0
56.319564344979476 unknown #
integer_attrib-name_attrib-gen-attr $-1 -1 $-1 $675 lose lose ignore keep @15 VF_ID_NUM_LOCAL 3 #
vertex $1268 -1 -1 $-1 $920 $1269 #
straight-curve $-1 -1 -1 $-1 -10.18236196308019 -8.8817841970012523e-016 53.469774165158157 -0.97236992039767578 0 -
0.23344536385590517 I I #
coedge $-1 -1 -1 $-1 $912 $1270 $676 $928 forward $890 $-1 #
edge $1271 -1 -1 $-1 $932 -0.00999999999999988987 $915 0.010000000000000675 $927 $1272 forward @7 unknown T -
9.0833465800063209 2.1300000000000003 53.733624414536493 -9.0833465800063209 2.1499999999999999 53.733624414536493 #
coedge $-1 -1 -1 $-1 $1273 $677 $1270 $1274 reversed $659 $-1 #
coedge $-1 -1 -1 $-1 $677 $1273 $679 $935 reversed $659 $-1 #
integer_attrib-name_attrib-gen-attr $-1 -1 $-1 $678 lose lose ignore keep @15 VF_ID_NUM_LOCAL 13 #
vertex $1275 -1 -1 $-1 $678 $1276 #
straight-curve $-1 -1 -1 $-1 -12.877046260048612 2.1299999999999994 52.822837703029307 0.97236992039767578 0
0.23344536385590517 I I #
coedge $-1 -1 -1 $-1 $680 $679 $1277 $1278 forward $681 $-1 #
edge $1279 -1 -1 $-1 $684 -0.2269992043072836 $1280 0 $679 $1281 forward @7 unknown T -14.574787690284523
2.1299999999999999 0 -8.5999999999999943 2.1300000000000003 52.415246047219377 #
edge $1282 -1 -1 $-1 $683 -0.2269992043072836 $1283 0 $921 $1284 forward @7 unknown T -14.574787690284523 0 0 -
8.5999999999999943 0 52.415246047219377 #
integer_attrib-name_attrib-gen-attr $-1 -1 $-1 $683 lose lose ignore keep @15 VF_ID_NUM_LOCAL 4 #
point $-1 -1 -1 $-1 -14.574787690284523 0 52.41524604721937 #
integer_attrib-name_attrib-gen-attr $-1 -1 $-1 $684 lose lose ignore keep @15 VF_ID_NUM_LOCAL 1 #
point $-1 -1 -1 $-1 -14.574787690284523 2.1300000000000003 52.41524604721937 #
string_attrib-name_attrib-gen-attr $-1 -1 $-1 $687 custom custom ignore copy @9_VF_DATA_ @68
12:ENTITYTYPE=29:VERSION=36:Size=617:MaterialLabel=Air11:Potential=5 #
cface $1285 -1 $1286 $366 $1287 0 #
face $1288 -1 -1 $-1 $1289 $1290 $215 $-1 $1291 reversed single T -48.902553611942238 29.150000000000002 0 -
38.99999999999972 34.150000000000034 47.534981229876763 F #
string_attrib-name_attrib-gen-attr $-1 -1 $1292 $688 $538 custom custom ignore copy @9_VF_DATA_ @68
12:ENTITYTYPE=49:VERSION=225:Information=External face11:FaceSense=1 #
integer_attrib-name_attrib-gen-attr $-1 -1 $1293 $-1 $689 lose lose ignore keep @15 VF_ID_NUM_LOCAL 16 #
face $1294 -1 -1 $-1 $1295 $1296 $215 $-1 $1297 reversed single T -80 0 0 80 80 0 F #

```

```

plane-surface $-1 -1 -1 $-1 -58.901276805971094 30 47.534981229876706 0 0 1 1 0 0 forward_v I I I I #
cface_ptr-ct-attrib $-1 -1 $-1 $692 $306 $-1 $537 #
string_attrib-name_attrib-gen-attrib $-1 -1 $1298 $693 $368 custom custom ignore copy @9_VF_DATA_ @68
12:ENTITYTYPE=49:VERSION=225:Information=External face11:FaceSense=0 #
real_attrib-name_attrib-gen-attrib $-1 -1 $1299 $694 $442 lose lose lose keep @11 VF_FACEAREA 763.13307582636844 #
integer_attrib-name_attrib-gen-attrib $-1 -1 $1300 $695 $542 lose lose ignore keep @15 VF_ID_NUM_LOCAL 12 #
coedge $-1 -1 -1 $-1 $960 $959 $1301 $1302 reversed $696 $-1 #
coedge $-1 -1 -1 $-1 $698 $973 $1303 $1304 reversed $543 $-1 #
edge $1305 -1 -1 $-1 $714 0.63749999999999929 $1306 19.787500000000001 $709 $1307 forward @7 unknown T -
35.543854992528246 0 47.534981229876706 -35.543854992528225 19.150000000000002 47.534981229876706 #
coedge $-1 -1 -1 $-1 $700 $699 $973 $1308 reversed $443 $-1 #
coedge $-1 -1 -1 $-1 $1309 $1303 $699 $957 forward $1310 $-1 #
edge $1311 -1 -1 $-1 $1312 -32.075901761410002 $962 26.924098238589952 $956 $1313 forward @7 unknown T -
44.846720713507999 0 86.284205678655781 12.523104589954881 0 100.0574821461542 #
edge $1314 -1 -1 $-1 $963 -29.5 $975 29.5 $706 $1315 forward @7 unknown T -44.846720713508006 19.150000000000002
86.284205678655795 12.52310458995488 19.150000000000002 100.05748214615421 #
coedge $-1 -1 -1 $-1 $952 $701 $965 $1316 forward $696 $-1 #
coedge $-1 -1 -1 $-1 $701 $952 $1309 $1317 reversed $696 $-1 #
integer_attrib-name_attrib-gen-attrib $-1 -1 $-1 $-1 $702 lose lose ignore keep @15 VF_ID_NUM_LOCAL 38 #
vertex $1318 -1 -1 $-1 $957 $1319 #
vertex $1320 -1 -1 $-1 $702 $1321 #
straight-curve $-1 -1 -1 $-1 12.523104589954876 9.5750000000000011 100.0574821461542 0 1 0 1 I #
coedge $-1 -1 -1 $-1 $706 $703 $959 $1316 reversed $369 $-1 #
coedge $-1 -1 -1 $-1 $1322 $1301 $703 $967 forward $1323 $-1 #
edge $1324 -1 -1 $-1 $1325 -5.3190156823081516 $971 -5.2838206366468228 $966 $1326 forward @7 unknown T
21.827642113708748 19.150000000000002 61.154696222063087 21.862837159370077 19.150000000000006 61.154696222063265 #
coedge $-1 -1 -1 $-1 $1327 $704 $710 $979 reversed $690 $-1 #
coedge $-1 -1 -1 $-1 $704 $1327 $1322 $1328 reversed $690 $-1 #
integer_attrib-name_attrib-gen-attrib $-1 -1 $-1 $-1 $705 lose lose ignore keep @15 VF_ID_NUM_LOCAL 18 #
vertex $1329 -1 -1 $-1 $1328 $1330 #
straight-curve $-1 -1 -1 $-1 -38.93651012867354 19.150000000000006 46.566513955156701 -0.97236992039767578 0 -
0.23344536385590517 I I #
coedge $-1 -1 -1 $-1 $953 $707 $955 $1308 forward $543 $-1 #
integer_attrib-name_attrib-gen-attrib $-1 -1 $-1 $-1 $708 lose lose ignore keep @15 VF_ID_NUM_LOCAL 37 #
vertex $1331 -1 -1 $-1 $958 $1332 #
straight-curve $-1 -1 -1 $-1 -40.061090754461944 19.150000000000002 66.350622310503439 0.2334453638559052 0 -
0.97236992039767589 I I #
coedge $-1 -1 -1 $-1 $1333 $709 $1334 $1335 reversed $711 $-1 #
coedge $-1 -1 -1 $-1 $710 $1336 $1337 $1338 forward $711 $-1 #
edge $1339 -1 -1 $-1 $1340 -24.574999999999996 $713 -9.5750000000000028 $710 $1341 forward @7 unknown T -
34.90255361194221 19.150000000000006 47.534981229876706 -34.90255361194221 34.149999999999999 47.534981229876706 #
integer_attrib-name_attrib-gen-attrib $-1 -1 $-1 $-1 $713 lose lose ignore keep @15 VF_ID_NUM_LOCAL 13 #
point $-1 -1 -1 $-1 -34.90255361194221 19.150000000000006 47.534981229876706 #
integer_attrib-name_attrib-gen-attrib $-1 -1 $-1 $-1 $714 lose lose ignore keep @15 VF_ID_NUM_LOCAL 8 #
point $-1 -1 -1 $-1 -35.543854992528225 19.150000000000002 47.534981229876706 #
string_attrib-name_attrib-gen-attrib $-1 -1 $-1 $-1 $717 custom custom ignore copy @9_VF_DATA_ @68
12:ENTITYTYPE=29:VERSION=36:Size=317:MaterialLabel=Air11:Potential=2 #
cface $1342 -1 $1343 $372 $725 0 #
integer_attrib-name_attrib-gen-attrib $-1 -1 $1344 $718 $552 lose lose ignore keep @15 VF_ID_NUM_LOCAL 8 #
coedge $-1 -1 -1 $-1 $1345 $1346 $729 $1000 forward $719 $-1 #
cface_ptr-ct-attrib $-1 -1 $-1 $721 $308 $-1 $1347 #
string_attrib-name_attrib-gen-attrib $-1 -1 $1348 $722 $374 custom custom ignore copy @9_VF_DATA_ @68
12:ENTITYTYPE=49:VERSION=225:Information=External face11:FaceSense=1 #
integer_attrib-name_attrib-gen-attrib $-1 -1 $1349 $723 $450 lose lose ignore keep @15 VF_ID_NUM_LOCAL 4 #
string_attrib-name_attrib-gen-attrib $-1 -1 $1350 $724 $556 custom custom ignore copy @9_VF_DATA_ @68
12:ENTITYTYPE=49:VERSION=225:Information=External face11:FaceSense=1 #
rgb_color-st-attrib $-1 -1 $1351 $-1 $725 0.60000002384185791 0.60000002384185791 0.60000002384185791 #
face $1352 -1 -1 $-1 $1021 $1353 $218 $-1 $1354 forward single T -44.846720713508006 0 86.284205678655795 12.52310458995488
19.150000000000002 100.05748214615421 F #
loop $-1 -1 -1 $-1 $-1 $734 $725 T -44.846720713508006 19.150000000000002 47.534981229876706 21.862837159370077
19.150000000000006 100.05748214615421 unknown #
plane-surface $-1 -1 -1 $-1 -11.376178102730506 19.150000000000002 73.237260544252649 0 -1 0 0.2334453638559052 0 -
0.97236992039767589 forward_v I I I I #
coedge $-1 -1 -1 $-1 $1001 $1009 $1003 $1355 reversed $726 $-1 #
coedge $-1 -1 -1 $-1 $1356 $728 $1357 $1358 forward $557 $-1 #
coedge $-1 -1 -1 $-1 $728 $1359 $737 $1019 forward $557 $-1 #
coedge $-1 -1 -1 $-1 $730 $729 $1356 $1360 reversed $451 $-1 #
edge $1361 -1 -1 $-1 $1362 -19.787500000000001 $1006 -0.63749999999999929 $987 $1363 forward @7 unknown T
21.862837159370077 0 61.154696222063087 21.862837159370077 19.150000000000002 61.154696222063087 #
coedge $-1 -1 -1 $-1 $1357 $996 $730 $1002 forward $726 $-1 #
edge $1364 -1 -1 $-1 $1007 -9.5750000000000028 $1365 9.5750000000000028 $1001 $1366 forward @7 unknown T
21.827642113708748 0 61.154696222063087 21.827642113708748 19.150000000000006 61.154696222063265 #

```

```

coedge $-1 -1 -1 $-1 $734 $731 $996 $1355 forward $994 $-1 #
coedge $-1 -1 -1 $-1 $731 $1367 $1345 $1368 forward $994 $-1 #
integer_attrb-name_attrb-gen-attrb $-1 -1 $-1 $732 lose lose ignore keep @15 VF_ID_NUM_LOCAL 9 #
vertex $1369 -1 -1 $-1 $1000 $1370 #
vertex $1371 -1 -1 $-1 $732 $1372 #
straight-curve $-1 -1 -1 $-1 16.543821477061925 19.150000000000002 61.15469622206308 -1 0 0 II #
coedge $-1 -1 -1 $-1 $996 $1357 $733 $1010 forward $726 $-1 #
edge $1373 -1 -1 $-1 $1016 -9.5750000000000028 $1013 9.5750000000000028 $1009 $1374 forward @7 unknown T -
34.90255361194221 0 47.534981229876706 -34.902553611942167 19.150000000000006 47.534981229876706 #
coedge $-1 -1 -1 $-1 $1367 $734 $738 $1020 reversed $994 $-1 #
integer_attrb-name_attrb-gen-attrb $-1 -1 $-1 $735 lose lose ignore keep @15 VF_ID_NUM_LOCAL 6 #
vertex $1375 -1 -1 $-1 $1355 $1376 #
straight-curve $-1 -1 -1 $-1 -35.1387274543508 19.150000000000002 47.534981229876706 -1 0 0 II #
integer_attrb-name_attrb-gen-attrb $-1 -1 $-1 $736 lose lose ignore keep @15 VF_ID_NUM_LOCAL 8 #
vertex $1377 -1 -1 $-1 $1358 $1378 #
straight-curve $-1 -1 -1 $-1 -35.1387274543508 0 47.534981229876706 1 0 0 II #
coedge $-1 -1 -1 $-1 $738 $737 $1379 $1380 reversed $739 $-1 #
edge $1381 -1 -1 $-1 $1382 -20.500000000000014 $742 19.350291165867809 $737 $1383 forward @7 unknown T -
44.846720713508006 0 47.534981229876706 -35.543854992528225 0 86.284205678655809 #
edge $1384 -1 -1 $-1 $1385 -20.500000000000014 $741 19.350291165867809 $1011 $1386 forward @7 unknown T -
44.846720713508006 19.150000000000002 47.534981229876706 -35.543854992528225 19.150000000000002 86.284205678655809 #
face $1387 -1 -1 $-1 $552 $739 $218 $-1 $1388 reversed single T -44.846720713508006 0 47.534981229876706 -35.543854992528225
19.150000000000002 86.284205678655809 F #
integer_attrb-name_attrb-gen-attrb $-1 -1 $-1 $741 lose lose ignore keep @15 VF_ID_NUM_LOCAL 6 #
point $-1 -1 -1 $-1 -35.543854992528225 19.150000000000002 47.534981229876706 #
integer_attrb-name_attrb-gen-attrb $-1 -1 $-1 $742 lose lose ignore keep @15 VF_ID_NUM_LOCAL 5 #
point $-1 -1 -1 $-1 -35.543854992528225 0 47.534981229876706 #
string_attrb-name_attrb-gen-attrb $-1 -1 $1389 $744 $40 keep keep_ kept ignore copy @14 VF_COLOUR_DATA @40
8:NAME=1989:VERSION=28:List=Psi7:Label=0 #
string_attrb-name_attrb-gen-attrb $-1 -1 $-1 $746 $567 custom custom ignore copy @9 _VF_DATA_ @86
12:ENTITYTYPE=29:VERSION=38:Size=0.517:MaterialLabel=Air11:Potential=213:ElementType=7 #
integer_attrb-name_attrb-gen-attrb $-1 -1 $1390 $-1 $747 lose lose ignore keep @15 VF_ID_NUM_LOCAL 10 #
cell3d-cell $1391 -1 $1392 $127 $-1 1 $1393 #
cshell $-1 -1 $-1 $1394 $747 #
cface $1395 -1 $1396 $748 $1397 0 #
string_attrb-name_attrb-gen-attrb $-1 -1 $-1 $749 custom custom ignore copy @9 _VF_DATA_ @86
12:ENTITYTYPE=29:VERSION=38:Size=0.517:MaterialLabel=Air11:Potential=213:ElementType=7 #
cface $1398 -1 $1399 $568 $382 0 #
face $1400 -1 -1 $-1 $1401 $1402 $221 $-1 $577 forward double in T 1.687868417735416 0.19999999999999996 0
8.5999999999999996 0.40000000000000002 56.319564344979476 F #
string_attrb-name_attrb-gen-attrb $-1 -1 $-1 $751 custom custom ignore copy @9 _VF_DATA_ @86
12:ENTITYTYPE=29:VERSION=38:Size=0.517:MaterialLabel=Air11:Potential=213:ElementType=7 #
cface $1403 -1 $1404 $458 $1405 1 #
face $1406 -1 -1 $-1 $1034 $1407 $221 $-1 $464 reversed single T -8.5999999999999996 0.39999999999999991 0
8.5999999999999996 0.60000000000000009 0 F #
fctd_mark-eye-attrb $-1 -1 $1408 $-1 $752 #
face $1409 -1 -1 $-1 $1410 $1411 $221 $-1 $762 reversed double in T -14.574787690284527 0.60000000000000009
52.415246047219355 1.687868417735416 0.80000000000000071 56.319564344979469 F #
loop $1412 -1 -1 $-1 $1413 $752 T 1.687868417735416 0.39999999999999991 0 8.5999999999999996 0.60000000000000009
56.319564344979476 unknown #
string_attrb-name_attrb-gen-attrb $-1 -1 $-1 $754 custom custom ignore copy @9 _VF_DATA_ @86
12:ENTITYTYPE=29:VERSION=38:Size=0.517:MaterialLabel=Air11:Potential=213:ElementType=7 #
cface $1414 -1 $1415 $380 $1045 0 #
face $1416 -1 -1 $-1 $1417 $1418 $221 $-1 $1419 reversed single T -14.574787690284538 -1.7763568394002505e-015 0
8.5999999999999996 0 56.319564344979476 F #
fctd_mark-eye-attrb $-1 -1 $1420 $-1 $755 #
face $1421 -1 -1 $-1 $1422 $1423 $221 $-1 $464 reversed single T -8.5999999999999996 0 8.5999999999999996
0.20000000000000018 0 F #
loop $1424 -1 -1 $-1 $774 $755 T -14.574787690284538 -1.7763568394002505e-015 52.415246047219355 1.687868417735416
0.20000000000000001 56.319564344979469 unknown #
string_attrb-name_attrb-gen-attrb $-1 -1 $1425 $756 $311 custom custom ignore copy @9 _VF_DATA_ @105
12:ENTITYTYPE=49:VERSION=225:Information=Internal face34:Information=paired face [layering]11:FaceSense=1 #
string_attrb-name_attrb-gen-attrb $-1 -1 $1426 $757 $382 custom custom ignore copy @9 _VF_DATA_ @105
12:ENTITYTYPE=49:VERSION=225:Information=External face13:ElementType=718:BoundaryLabel=tang11:FaceSense=0 #
integer_attrb-name_attrb-gen-attrb $-1 -1 $1427 $758 $462 lose lose ignore keep @15 VF_ID_NUM_LOCAL 25 #
fmesh-eye-attrb $-1 -1 $1428 $759 $575 #
fctd_mark-eye-attrb $-1 -1 $1429 $-1 $760 #
face $1430 -1 -1 $-1 $1037 $1431 $221 $-1 $1432 reversed double in T -14.574787690284527 0.39999999999999998 0
8.5999999999999996 0.40000000000000002 56.319564344979476 F #
loop $1433 -1 -1 $-1 $1071 $760 T -14.574787690284523 0.19999999999999996 0 -8.5999999999999994 0.40000000000000002
52.415246047219377 unknown #
cone-surface $-1 -1 -1 $-1 -241.5 0 0 0 232.90000000000001 0 0 1 I I 0 -1 232.90000000000001 forward I I I I #

```

```

integer_attrib-name_attrib-gen-attrib $-1 -1 $-1 $-1 $761 lose lose ignore keep @15 VF_ID_NUM_LOCAL 74 #
coedge $-1 -1 -1 $-1 $1434 $764 $1082 $1435 reversed $576 $-1 #
coedge $-1 -1 -1 $-1 $764 $1434 $1436 $1437 forward $576 $-1 #
coedge $-1 -1 -1 $-1 $1062 $1438 $581 $771 reversed $1402 $-1 #
coedge $-1 -1 -1 $-1 $766 $765 $1439 $1440 forward $463 $-1 #
coedge $-1 -1 -1 $-1 $1071 $1441 $1442 $1061 forward $1053 $-1 #
edge $1443 -1 -1 $-1 $1444 0.67500000000000238 $1066 0.87500000000000244 $765 $1445 forward @7 unknown T -
8.599999999999996 0.1999999999999996 0 -8.5999999999999943 0.4000000000000002 0 #
coedge $-1 -1 -1 $-1 $1446 $1058 $1447 $1063 forward $1402 $-1 #
edge $1448 -1 -1 $-1 $1067 -0.87500000000005618 $1449 -0.67500000000005611 $766 $1450 forward @7 unknown T
8.5999999999999943 0.1999999999999996 0 8.599999999999996 0.4000000000000002 0 #
coedge $-1 -1 -1 $-1 $1451 $1452 $579 $768 forward $1423 $-1 #
integer_attrib-name_attrib-gen-attrib $-1 -1 $1453 $-1 $768 copy keep_all ignore copy @7 VF_PAIR 41 #
vertex $1454 -1 -1 $-1 $1455 $1456 #
vertex $1457 -1 -1 $-1 $1063 $1458 #
straight-curve $-1 -1 -1 $-1 0 0.2000000000000018 0 1 0 0 1 1 #
coedge $-1 -1 -1 $-1 $1459 $769 $1460 $1455 forward $1072 $-1 #
coedge $-1 -1 -1 $-1 $769 $1459 $1083 $1086 reversed $1072 $-1 #
coedge $-1 -1 -1 $-1 $1461 $1060 $580 $770 reversed $1053 $-1 #
loop $1462 -1 -1 $-1 $-1 $769 $1463 T -14.574787690284523 0 0 -8.5999999999999943 0.2000000000000001 52.415246047219377
unknown #
integer_attrib-name_attrib-gen-attrib $-1 -1 $1464 $-1 $770 copy keep_all ignore copy @7 VF_PAIR 42 #
ellipse-curve $-1 -1 -1 $-1 -241.5 0.2000000000000001 0 0 1 0 232.90000000000001 0 0 1 1 1 #
integer_attrib-name_attrib-gen-attrib $-1 -1 $1465 $-1 $771 copy keep_all ignore copy @7 VF_PAIR 40 #
ellipse-curve $-1 -1 -1 $-1 -224.30000000000001 0.2000000000000018 0 0 -1 0 232.90000000000001 0 0 1 1 1 #
coedge $-1 -1 -1 $-1 $773 $772 $1466 $1467 forward $761 $-1 #
coedge $-1 -1 -1 $-1 $1468 $1469 $1461 $1079 forward $1470 $-1 #
edge $1471 -1 -1 $-1 $1472 0.66500000000000126 $776 0.86500000000000132 $1078 $1473 forward @7 unknown T -
14.574787690284523 0.1999999999999996 52.415246047219355 -14.574787690284523 0.4000000000000002 52.41524604721937
#
coedge $-1 -1 -1 $-1 $1474 $1475 $1438 $1081 forward $1476 $-1 #
edge $1477 -1 -1 $-1 $777 -0.85999999999999877 $1478 -0.6599999999999987 $1080 $1479 forward @7 unknown T
1.687868417735416 0.1999999999999996 56.319564344979455 1.687868417735416 0.4000000000000002 56.319564344979469 #
coedge $-1 -1 -1 $-1 $1480 $774 $1475 $1435 reversed $1046 $-1 #
coedge $-1 -1 -1 $-1 $774 $1480 $1468 $1086 reversed $1046 $-1 #
integer_attrib-name_attrib-gen-attrib $-1 -1 $1481 $775 $583 copy keep_all ignore copy @13 VF_PAIR_GROUP 0 #
integer_attrib-name_attrib-gen-attrib $-1 -1 $1482 $-1 $776 copy keep_all ignore copy @7 VF_PAIR 42 #
edge $1483 -1 -1 $-1 $776 0.86500000000000132 $1484 1.0650000000000013 $1468 $1473 forward @7 unknown T -
14.574787690284523 0 52.415246047219355 -14.574787690284523 0.2000000000000001 52.41524604721937 #
point $-1 -1 -1 $-1 -14.574787690284523 0.2000000000000001 52.41524604721937 #
integer_attrib-name_attrib-gen-attrib $-1 -1 $1485 $-1 $777 copy keep_all ignore copy @7 VF_PAIR 43 #
point $-1 -1 -1 $-1 1.687868417735416 0.2000000000000001 56.319564344979469 #
string_attrib-name_attrib-gen-attrib $-1 -1 $1486 $779 $41 keep keep_ignored ignore copy @10 VF_PR_VERT @9 2,93,14,0 #
string_attrib-name_attrib-gen-attrib $-1 -1 $1487 $780 $45 keep keep_ignored ignore copy @10 VF_PR_VERT @9 6,94,67,2 #
string_attrib-name_attrib-gen-attrib $-1 -1 $1488 $781 $49 keep keep_ignored ignore copy @10 VF_PR_VERT @10 10,94,71,4 #
string_attrib-name_attrib-gen-attrib $-1 -1 $1489 $782 $53 keep keep_ignored ignore copy @10 VF_PR_VERT @10 14,94,75,6 #
string_attrib-name_attrib-gen-attrib $-1 -1 $1490 $783 $57 keep keep_ignored ignore copy @10 VF_PR_VERT @10 18,94,79,8 #
string_attrib-name_attrib-gen-attrib $-1 -1 $1491 $784 $61 keep keep_ignored ignore copy @10 VF_PR_VERT @11 22,94,83,10 #
string_attrib-name_attrib-gen-attrib $-1 -1 $1492 $785 $65 keep keep_ignored ignore copy @10 VF_PR_VERT @11 26,94,87,12 #
string_attrib-name_attrib-gen-attrib $-1 -1 $1493 $786 $69 keep keep_ignored ignore copy @10 VF_PR_VERT @11 30,94,91,14 #
string_attrib-name_attrib-gen-attrib $-1 -1 $1494 $787 $73 keep keep_ignored ignore copy @10 VF_PR_VERT @11 34,94,97,16 #
string_attrib-name_attrib-gen-attrib $-1 -1 $1495 $788 $77 keep keep_ignored ignore copy @10 VF_PR_VERT @12 38,94,101,18 #
string_attrib-name_attrib-gen-attrib $-1 -1 $1496 $789 $0 keep keep_ignored ignore copy @14 VF_COLOUR_DATA @66
8:NAME=2309:VERSION=29:List=CLCS31:Label=Local Coordinate System17 #
string_attrib-name_attrib-gen-attrib $-1 -1 $-1 $791 custom custom ignore copy @9 _VF_DATA_ @68
12:ENTITYTYPE=29:VERSION=36:Size=117:MaterialLabel=Air11:Potential=2 #
cface $1497 -1 $1498 $346 $418 0 #
string_attrib-name_attrib-gen-attrib $-1 -1 $-1 $793 custom custom ignore copy @9 _VF_DATA_ @68
12:ENTITYTYPE=29:VERSION=36:Size=117:MaterialLabel=Air11:Potential=2 #
cface $1499 -1 $1500 $411 $413 0 #
face $1501 -1 -1 $-1 $599 $1502 $299 $-1 $1503 reversed single T 21.827642113708748 0 0 30 19.150000000000006
61.154696222063265 F #
integer_attrib-name_attrib-gen-attrib $-1 -1 $1504 $-1 $794 lose lose ignore keep @15 VF_ID_NUM_LOCAL 5 #
loop $-1 -1 -1 $-1 $1505 $794 T 1.687868417735416 -1.7763568394002505e-015 0 30 0 61.154696222063265 unknown #
string_attrib-name_attrib-gen-attrib $-1 -1 $1506 $795 $599 custom custom ignore copy @9 _VF_DATA_ @68
12:ENTITYTYPE=49:VERSION=225:Information=External face11:FaceSense=1 #
cface_ptr-ct-attrib $-1 -1 $-1 $797 $348 $-1 $1500 #
cface_ptr-ct-attrib $-1 -1 $1507 $798 $413 $-1 $1104 #
rgb_color-st-attrib $-1 -1 $1508 $799 $496 0.60000002384185791 0.60000002384185791 0.60000002384185791 #
real_attrib-name_attrib-gen-attrib $-1 -1 $1509 $800 $603 lose lose lose keep @11 VF_FACEAREA 122.29936304048456 #
coedge $-1 -1 -1 $-1 $810 $1510 $812 $1133 forward $801 $-1 #
coedge $-1 -1 -1 $-1 $1511 $803 $808 $1125 reversed $604 $-1 #

```

```

coedge $-1 -1 -1 $-1 $803 $1512 $1513 $1514 reversed $604 $-1 #
coedge $-1 -1 -1 $-1 $1510 $810 $803 $1117 forward $801 $-1 #
edge $1515 -1 -1 $-1 $1130 -0.15000000000011937 $1516 2 $803 $1517 forward @7 unknown T 8.599999999999943 0 0
8.599999999999996 2.1500000000001194 0 #
coedge $-1 -1 -1 $-1 $805 $804 $1511 $1518 forward $497 $-1 #
coedge $-1 -1 -1 $-1 $1519 $1520 $804 $1120 forward $1502 $-1 #
edge $1521 -1 -1 $-1 $1522 0 $1123 0.26569423122201385 $804 $1523 forward @7 unknown T 21.827642113708748
19.150000000000006 0 30 19.150000000000006 61.154696222063265 #
coedge $-1 -1 -1 $-1 $806 $1132 $1519 $1524 reversed $796 $-1 #
integer_attr-name_attr-gen-attr $-1 -1 $-1 $-1 $807 lose lose ignore keep @15 VF_ID_NUM_LOCAL 2 #
vertex $1525 -1 -1 $-1 $1524 $1526 #
straight-curve $-1 -1 -1 $-1 -25.017062857206813 19.150000000000006 49.90827758317154 0.97236992039767578 0
0.23344536385590517 I I #
edge $1527 -1 -1 $-1 $1127 -70.817783109015636 $1130 -53.353533912442764 $1114 $1528 forward @7 unknown T
8.599999999999996 2.1500000000001123 0 12.599999999999994 19.150000000000013 0 #
integer_attr-name_attr-gen-attr $-1 -1 $-1 $-1 $809 lose lose ignore keep @15 VF_ID_NUM_LOCAL 28 #
vertex $1529 -1 -1 $-1 $1518 $1530 #
ellipse-curve $-1 -1 -1 $-1 -220.30000000000001 19.150000000000006 0 0 -1 0 232.90000000000001 0 0 1 I I #
integer_attr-name_attr-gen-attr $-1 -1 $-1 $-1 $811 lose lose ignore keep @15 VF_ID_NUM_LOCAL 1 #
vertex $1531 -1 -1 $-1 $1117 $1532 #
ellipse-curve $-1 -1 -1 $-1 -224.30000000000001 2.149999999999915 0 4.2711886220014607e-016 -1 0 232.90000000000001 0 0 1 I
I #
coedge $-1 -1 -1 $-1 $1121 $812 $1505 $1533 reversed $796 $-1 #
edge $1534 -1 -1 $-1 $1535 -1.0750000000000597 $814 1.0750000000000277 $1113 $1536 forward @7 unknown T
1.687868417735416 0 56.319564344979455 1.687868417735416 2.1500000000000874 56.319564344979455 #
integer_attr-name_attr-gen-attr $-1 -1 $-1 $-1 $814 lose lose ignore keep @15 VF_ID_NUM_LOCAL 18 #
point $-1 -1 -1 $-1 1.687868417735416 2.1500000000000874 56.319564344979455 #
integer_attr-name_attr-gen-attr $-1 -1 $-1 $-1 $815 lose lose ignore keep @15 VF_ID_NUM_LOCAL 1 #
point $-1 -1 -1 $-1 5.4602337663884839 19.150000000000006 57.225229136680909 #
rgb_color-st-attr $-1 -1 $-1 $818 $350 0.60000002384185791 0.60000002384185791 0.60000002384185791 #
rgb_color-st-attr $-1 -1 $1537 $819 $418 0.60000002384185791 0.60000002384185791 0.60000002384185791 #
real_attr-name_attr-gen-attr $-1 -1 $1538 $820 $503 lose lose lose keep @11 VF_FACEAREA 914.7464743793945 #
real_attr-name_attr-gen-attr $-1 -1 $1539 $821 $615 lose lose lose keep @11 VF_FACEAREA 113.66644656880825 #
integer_attr-name_attr-gen-attr $-1 -1 $1540 $-1 $822 lose lose ignore keep @15 VF_ID_NUM_LOCAL 12 #
face $1541 -1 -1 $-1 $-1 $1542 $206 $-1 $605 reversed single T -29.99999999999972 0 0 -8.599999999999943
19.150000000000006 0 F #
cone-surface $-1 -1 -1 $-1 -262.8999999999998 0 0 0 1 0 232.90000000000001 0 0 1 I I 1 232.90000000000001 forward I I I I #
coedge $-1 -1 -1 $-1 $826 $825 $1543 $1544 forward $504 $-1 #
edge $1545 -1 -1 $-1 $836 -0.20554466681645578 $1546 0 $825 $1547 forward @7 unknown T -34.90255361194221 0 0 -
29.99999999999972 0 47.534981229876706 #
coedge $-1 -1 -1 $-1 $1548 $838 $826 $1148 reversed $823 $-1 #
edge $1549 -1 -1 $-1 $1550 0 $1150 0.22699920430728354 $826 $1551 forward @7 unknown T -14.574787690284523 0 0 -
8.599999999999943 0 52.415246047219362 #
integer_attr-name_attr-gen-attr $-1 -1 $-1 $-1 $827 lose lose ignore keep @15 VF_ID_NUM_LOCAL 8 #
vertex $1552 -1 -1 $-1 $839 $1553 #
straight-curve $-1 -1 -1 $-1 -42.438146628710072 -1.7763568394002505e-015 45.725845409478282 -0.97236992039767578 0 -
0.23344536385590517 I I #
coedge $-1 -1 -1 $-1 $1554 $1555 $828 $1153 reversed $1542 $-1 #
edge $1556 -1 -1 $-1 $1156 -5.225000000000005 $1160 12.174999999999972 $1152 $1557 forward @7 unknown T -
29.99999999999972 19.150000000000006 0 -12.599999999999994 19.150000000000006 0 #
coedge $-1 -1 -1 $-1 $829 $840 $1554 $1558 forward $616 $-1 #
integer_attr-name_attr-gen-attr $-1 -1 $-1 $-1 $830 lose lose ignore keep @15 VF_ID_NUM_LOCAL 13 #
vertex $1559 -1 -1 $-1 $1558 $1560 #
ellipse-curve $-1 -1 -1 $-1 -245.5 19.150000000000006 0 0 -1 0 232.90000000000001 0 0 1 I I #
coedge $-1 -1 -1 $-1 $833 $831 $1555 $1561 forward $834 $-1 #
integer_attr-name_attr-gen-attr $-1 -1 $-1 $-1 $832 lose lose ignore keep @15 VF_ID_NUM_LOCAL 15 #
vertex $1562 -1 -1 $-1 $1153 $1563 #
ellipse-curve $-1 -1 -1 $-1 -262.8999999999998 19.150000000000006 0 0 -1 0 232.90000000000001 0 0 1 I I #
integer_attr-name_attr-gen-attr $-1 -1 $-1 $-1 $836 lose lose ignore keep @15 VF_ID_NUM_LOCAL 6 #
point $-1 -1 -1 $-1 -34.902553611942167 0 47.534981229876706 #
coedge $-1 -1 -1 $-1 $838 $1548 $840 $1167 reversed $823 $-1 #
integer_attr-name_attr-gen-attr $-1 -1 $-1 $-1 $839 lose lose ignore keep @15 VF_ID_NUM_LOCAL 9 #
straight-curve $-1 -1 -1 $-1 -14.574787690284523 1.0750000000000064 52.415246047219355 0 -1 0 I I #
edge $1564 -1 -1 $-1 $842 -0.22699920430728354 $1565 0 $840 $1566 forward @7 unknown T -14.574787690284523
2.149999999999908 0 -8.599999999999943 2.150000000000119 52.415246047219362 #
integer_attr-name_attr-gen-attr $-1 -1 $-1 $-1 $842 lose lose ignore keep @15 VF_ID_NUM_LOCAL 15 #
point $-1 -1 -1 $-1 -14.574787690284523 2.149999999999908 52.415246047219355 #
string_attr-name_attr-gen-attr $-1 -1 $-1 $-1 $849 custom custom ignore copy @9 _VF_DATA_ @89
12:ENTITYTYPE=29:VERSION=36:Size=319:MaterialLabel=ferro11:Potential=516:VolumeLabel=pack #
cface $1567 -1 $1568 $354 $1569 0 #
face $1570 -1 -1 $-1 $1571 $1572 $209 $-1 $1573 forward single T 5.4602337663884271 19.150000000000006 0 30
19.150000000000006 61.154696222063102 F #

```



```

integer_attrib-name_attrib-gen-attrib $-1 -1 $1574 $-1 $850 lose lose ignore keep @15 VF_ID_NUM_LOCAL 16 #
face $1575 -1 -1 $-1 $1576 $876 $209 $-1 $1577 forward single T -48.902553611942238 29.150000000000041 0 -
39.000000000000014 34.150000000000034 47.534981229876763 F #
loop $-1 -1 -1 $-1 $873 $850 T -48.902553611942238 0 0 -43.99999999999972 29.150000000000041 47.534981229876763
unknown #
cone-surface $-1 -1 -1 $-1 -276.89999999999998 29.15000000000002 0 0 -1 0 232.90000000000001 0 0 1 1 I 0 -1 232.90000000000001
forward I I I I #
real_attrib-name_attrib-gen-attrib $-1 -1 $1578 $851 $633 lose lose lose keep @11 VF_FACEAREA 665.48973721827315 #
coedge $-1 -1 -1 $-1 $1579 $1193 $872 $1213 forward $852 $-1 #
cface $1580 -1 $1581 $354 $302 0 #
rgb_color-st-attrib $-1 -1 $-1 $855 $356 0.54901963472366333 0.90196079015731812 0.019607843831181526 #
cface $1582 -1 $1583 $354 $356 0 #
cface_ptr-ct-attrib $-1 -1 $1584 $856 $426 $-1 $423 #
string_attrib-name_attrib-gen-attrib $-1 -1 $1585 $857 $515 custom custom ignore copy @9 _VF_DATA_ @68
12:ENTITYTYPE=49:VERSION=225:Information=External face11:FaceSense=1 #
string_attrib-name_attrib-gen-attrib $-1 -1 $1586 $858 $638 custom custom ignore copy @9 _VF_DATA_ @68
12:ENTITYTYPE=49:VERSION=225:Information=External face11:FaceSense=0 #
integer_attrib-name_attrib-gen-attrib $-1 -1 $1587 $-1 $859 lose lose ignore keep @15 VF_ID_NUM_LOCAL 7 #
loop $-1 -1 -1 $-1 $1190 $859 T -34.90255361194221 19.150000000000006 0 -12.599999999999994 19.150000000000006
51.50494883996263 unknown #
plane-surface $-1 -1 -1 $-1 -35.649999999999999 19.150000000000006 0 0 -1 0 0 0 -1 forward_v I I I I #
coedge $-1 -1 -1 $-1 $1588 $1589 $1189 $1590 forward $860 $-1 #
coedge $-1 -1 -1 $-1 $1591 $862 $1188 $1590 reversed $639 $-1 #
coedge $-1 -1 -1 $-1 $1195 $1592 $862 $1191 forward $1186 $-1 #
edge $1593 -1 -1 $-1 $1594 -41.50458057770247 $881 -24.498598773170343 $1190 $1595 forward @7 unknown T -
34.90255361194221 19.150000000000006 47.534981229876706 -18.366448438384964 19.150000000000006 51.50494883996263 #
coedge $-1 -1 -1 $-1 $864 $863 $1596 $1597 forward $516 $-1 #
coedge $-1 -1 -1 $-1 $1178 $1598 $863 $1194 forward $852 $-1 #
edge $1599 -1 -1 $-1 $1600 0 $1198 0.20554466681645578 $1193 $1601 reversed @7 unknown T -34.90255361194221 0 0 -
29.999999999999972 0 47.534981229876706 #
coedge $-1 -1 -1 $-1 $1602 $1190 $864 $1196 reversed $1186 $-1 #
edge $1603 -1 -1 $-1 $1604 0 $881 0.20554466681645578 $864 $1605 reversed @7 unknown T -34.90255361194221
19.150000000000006 0 -29.999999999999972 19.150000000000006 47.534981229876706 #
integer_attrib-name_attrib-gen-attrib $-1 -1 $-1 $865 lose lose ignore keep @15 VF_ID_NUM_LOCAL 13 #
vertex $1606 -1 -1 $-1 $865 $1607 #
straight-curve $-1 -1 -1 $-1 -34.90255361194221 9.5750000000000028 47.534981229876706 0 -1 0 I I #
coedge $-1 -1 -1 $-1 $869 $866 $1608 $1609 forward $427 $-1 #
coedge $-1 -1 -1 $-1 $1610 $1611 $866 $1202 reversed $1612 $-1 #
edge $1613 -1 -1 $-1 $1205 12.09573158528157 $1614 21.095731585281598 $866 $1615 forward @7 unknown T
21.827642113708748 34.149999999999999 61.154696222063087 30.827642113708777 34.149999999999999 61.154696222063087 #
coedge $-1 -1 -1 $-1 $867 $1616 $1610 $1617 forward $639 $-1 #
integer_attrib-name_attrib-gen-attrib $-1 -1 $-1 $868 lose lose ignore keep @15 VF_ID_NUM_LOCAL 38 #
vertex $1618 -1 -1 $-1 $1202 $1619 #
straight-curve $-1 -1 -1 $-1 -53.689449280212941 34.149999999999999 43.024646630870663 0.97236992039767578 0
0.23344536385590517 I I #
coedge $-1 -1 -1 $-1 $1620 $1621 $869 $1208 reversed $1622 $-1 #
edge $1623 -1 -1 $-1 $1624 -51.499999999999972 $1211 26.500000000000028 $869 $1625 reversed @7 unknown T -
39.000000000000028 34.149999999999999 0 38.999999999999972 34.149999999999999 1.4260540990261583e-014 #
coedge $-1 -1 -1 $-1 $875 $870 $1621 $1626 forward $876 $-1 #
integer_attrib-name_attrib-gen-attrib $-1 -1 $-1 $871 lose lose ignore keep @15 VF_ID_NUM_LOCAL 41 #
vertex $1627 -1 -1 $-1 $1208 $1628 #
ellipse-curve $-1 -1 -1 $-1 -271.89999999999998 34.149999999999999 0 0 1 0 0 0 232.90000000000001 0.9999999999999978 I I #
edge $1629 -1 -1 $-1 $1198 -19.548084791043379 $1217 -5.548084791043368 $1178 $1630 forward @7 unknown T -
48.90255361194221 0 47.534981229876706 -34.902553611942167 0 47.534981229876706 #
coedge $-1 -1 -1 $-1 $1631 $873 $875 $1219 reversed $1175 $-1 #
coedge $-1 -1 -1 $-1 $873 $1631 $1579 $1632 reversed $1175 $-1 #
integer_attrib-name_attrib-gen-attrib $-1 -1 $-1 $874 lose lose ignore keep @15 VF_ID_NUM_LOCAL 4 #
vertex $1633 -1 -1 $-1 $1632 $1634 #
straight-curve $-1 -1 -1 $-1 -48.90255361194221 14.575000000000019 47.534981229876706 0 1 0 I I #
edge $1635 -1 -1 $-1 $1636 -1.5707963267948966 $878 -1.3652516599784406 $875 $1637 reversed @7 unknown T -
48.902553611942238 29.150000000000041 1.4260540990261583e-014 -44 29.150000000000041 47.534981229876763 #
integer_attrib-name_attrib-gen-attrib $-1 -1 $-1 $878 lose lose ignore keep @15 VF_ID_NUM_LOCAL 9 #
point $-1 -1 -1 $-1 -48.902553611942238 29.150000000000041 47.534981229876706 #
integer_attrib-name_attrib-gen-attrib $-1 -1 $-1 $881 lose lose ignore keep @15 VF_ID_NUM_LOCAL 17 #
point $-1 -1 -1 $-1 -34.90255361194221 19.150000000000006 47.534981229876706 #
string_attrib-name_attrib-gen-attrib $-1 -1 $-1 $888 custom custom ignore copy @9 _VF_DATA_ @86
12:ENTITYTYPE=29:VERSION=38:Size=0.517:MaterialLabel=Air11:Potential=213:ElementType=7 #
cface $1638 -1 $1236 $360 $894 0 #
face $1639 -1 -1 $-1 $923 $212 $-1 $1640 reversed single T -14.574787690284523 -8.8817841970012523e-016 0
8.599999999999996 0 56.319564344979476 F #
real_attrib-name_attrib-gen-attrib $-1 -1 $1641 $889 $656 lose lose lose keep @11 VF_FACEAREA 1.0844424359935112 #
rgb_color-st-attrib $-1 -1 $1642 $892 $524 0.60000002384185791 0.60000002384185791 0.60000002384185791 #

```

```

rgb_color-st-attrib $-1 -1 $1643 $893 $658 0.60000002384185791 0.60000002384185791 0.60000002384185791 #
integer_attrib-name_attrib-gen-attrib $-1 -1 $1644 $-1 $894 lose lose ignore keep @15 VF_ID_NUM_LOCAL 9 #
cone-surface $-1 -1 -1 $-1 -241.5 0 0 0 1 0 232.90000000000001 0 0 1 I I 0 -1 232.90000000000001 forward I I I I #
coedge $-1 -1 -1 $-1 $1645 $1646 $1647 $1648 reversed $895 $-1 #
string_attrib-name_attrib-gen-attrib $-1 -1 $-1 $-1 $898 custom custom ignore copy @9 _VF_DATA_ @86
12:ENTITYTYPE=29:VERSION=38:Size=0.517:MaterialLabel=Air11:Potential=213:ElementType=7 #
cface $1649 -1 $-1 $360 $434 0 #
rgb_color-st-attrib $-1 -1 $-1 $899 $362 0.60000002384185791 0.60000002384185791 0.60000002384185791 #
cface $1650 -1 $1651 $360 $362 0 #
cface_ptr-ct-attrib $-1 -1 $1652 $900 $434 $-1 $1234 #
real_attrib-name_attrib-gen-attrib $-1 -1 $1653 $901 $528 lose lose lose keep @11 VF_FACEAREA 311.83604212576586 #
string_attrib-name_attrib-gen-attrib $-1 -1 $1654 $902 $665 custom custom ignore copy @9 _VF_DATA_ @68
12:ENTITYTYPE=49:VERSION=225:Information=External face11:FaceSense=0 #
coedge $-1 -1 -1 $-1 $1647 $905 $1262 $1655 reversed $666 $-1 #
coedge $-1 -1 -1 $-1 $905 $1647 $906 $1244 reversed $666 $-1 #
edge $1656 -1 -1 $-1 $1246 6.7698539403946727 $1264 12.207525275937126 $905 $1657 forward @7 unknown T -
3.5995596259547256 2.1199999999999997 55.050165181524925 1.6878684177354177 2.1200000000000001 56.319564344979469 #
coedge $-1 -1 -1 $-1 $907 $906 $1646 $1658 forward $529 $-1 #
edge $1659 -1 -1 $-1 $1246 -0.23862647841812534 $1660 0 $1241 $1661 forward @7 unknown T -3.599559625954754
2.1199999999999997 0 3 2.1200000000000001 55.050165181524932 #
integer_attrib-name_attrib-gen-attrib $-1 -1 $-1 $-1 $909 lose lose ignore keep @15 VF_ID_NUM_LOCAL 8 #
vertex $1662 -1 -1 $-1 $1244 $1663 #
straight-curve $-1 -1 -1 $-1 -3.5995596259547256 2.1349999999999998 55.050165181524932 0 -1 0 I I #
coedge $-1 -1 -1 $-1 $1646 $1664 $910 $1249 reversed $895 $-1 #
edge $1665 -1 -1 $-1 $1251 -2.9500000000000002 $1255 2.8499999999999996 $1248 $1666 forward @7 unknown T -
2.7999999999999998 2.1499999999999999 0 3 2.1500000000000004 0 #
integer_attrib-name_attrib-gen-attrib $-1 -1 $-1 $-1 $911 lose lose ignore keep @15 VF_ID_NUM_LOCAL 14 #
vertex $1667 -1 -1 $-1 $1658 $1668 #
ellipse-curve $-1 -1 -1 $-1 -229.90000000000001 2.1499999999999995 0 0 -1 0 232.90000000000001 0 0 1 I I #
coedge $-1 -1 -1 $-1 $1270 $912 $1664 $1669 forward $890 $-1 #
integer_attrib-name_attrib-gen-attrib $-1 -1 $-1 $-1 $913 lose lose ignore keep @15 VF_ID_NUM_LOCAL 15 #
vertex $1670 -1 -1 $-1 $1669 $1671 #
ellipse-curve $-1 -1 -1 $-1 -235.70000000000002 2.1499999999999995 0 0 -1 0 232.90000000000001 0 0 1 I I #
integer_attrib-name_attrib-gen-attrib $-1 -1 $-1 $-1 $915 lose lose ignore keep @15 VF_ID_NUM_LOCAL 13 #
point $-1 -1 -1 $-1 -9.0833465800063209 2.1499999999999999 53.733624414536493 #
integer_attrib-name_attrib-gen-attrib $-1 -1 $-1 $-1 $916 lose lose ignore keep @15 VF_ID_NUM_LOCAL 12 #
point $-1 -1 -1 $-1 -3.5995596259547256 2.1499999999999999 55.050165181524932 #
coedge $-1 -1 -1 $-1 $1672 $919 $922 $1267 reversed $903 $-1 #
coedge $-1 -1 -1 $-1 $919 $1672 $1240 $1655 forward $903 $-1 #
integer_attrib-name_attrib-gen-attrib $-1 -1 $-1 $-1 $920 lose lose ignore keep @15 VF_ID_NUM_LOCAL 4 #
vertex $1673 -1 -1 $-1 $920 $1674 #
straight-curve $-1 -1 -1 $-1 1.687868417735416 1.0600000000000005 56.319564344979469 0 -1 0 I I #
coedge $-1 -1 -1 $-1 $922 $921 $1675 $1676 forward $923 $-1 #
edge $1677 -1 -1 $-1 $1678 0 $925 0.24423969373118543 $922 $1679 forward @7 unknown T 1.687868417735416 0 0
8.5999999999999996 0 56.319564344979476 #
integer_attrib-name_attrib-gen-attrib $-1 -1 $-1 $-1 $925 lose lose ignore keep @15 VF_ID_NUM_LOCAL 5 #
point $-1 -1 -1 $-1 1.687868417735416 0 56.319564344979469 #
coedge $-1 -1 -1 $-1 $927 $1253 $929 $1274 forward $890 $-1 #
integer_attrib-name_attrib-gen-attrib $-1 -1 $-1 $-1 $928 lose lose ignore keep @15 VF_ID_NUM_LOCAL 10 #
straight-curve $-1 -1 -1 $-1 -9.0833465800063209 2.1399999999999992 53.733624414536493 0 1 0 I I #
coedge $-1 -1 -1 $-1 $930 $929 $1680 $1681 forward $659 $-1 #
edge $1682 -1 -1 $-1 $1683 0 $932 0.23281288879208556 $929 $1684 forward @7 unknown T -9.0833465800063493
2.1299999999999999 0 -2.7999999999999994 2.1300000000000003 53.733624414536493 #
integer_attrib-name_attrib-gen-attrib $-1 -1 $-1 $-1 $932 lose lose ignore keep @15 VF_ID_NUM_LOCAL 15 #
point $-1 -1 -1 $-1 -9.0833465800063209 2.1300000000000003 53.733624414536493 #
coedge $-1 -1 -1 $-1 $1680 $1675 $934 $1278 reversed $895 $-1 #
edge $1685 -1 -1 $-1 $1280 -1.0549999999999975 $1283 1.0750000000000024 $1277 $1686 forward @7 unknown T -
8.5999999999999996 0 0 -8.5999999999999943 2.1299999999999999 0 #
integer_attrib-name_attrib-gen-attrib $-1 -1 $-1 $-1 $935 lose lose ignore keep @15 VF_ID_NUM_LOCAL 22 #
vertex $1687 -1 -1 $-1 $1278 $1688 #
ellipse-curve $-1 -1 -1 $-1 -241.5 2.1299999999999999 0 0 1 0 232.90000000000001 0 0 1 I I #
integer_attrib-name_attrib-gen-attrib $-1 -1 $-1 $-1 $936 lose lose ignore keep @15 VF_ID_NUM_LOCAL 24 #
vertex $1689 -1 -1 $-1 $1676 $1690 #
ellipse-curve $-1 -1 -1 $-1 -241.5 0 0 0 1 0 232.90000000000001 0 0 1 I I #
string_attrib-name_attrib-gen-attrib $-1 -1 $-1 $-1 $942 custom custom ignore copy @9 _VF_DATA_ @68
12:ENTITYTYPE=29:VERSION=36:Size=617:MaterialLabel=Air11:Potential=5 #
cface $1691 -1 $1692 $366 $1693 0 #
face $1694 -1 -1 $-1 $943 $1695 $215 $-1 $1696 reversed single T -43.902553611942267 34.14999999999999 0
38.999999999999972 34.149999999999999 61.154696222063087 F #
integer_attrib-name_attrib-gen-attrib $-1 -1 $1697 $-1 $943 lose lose ignore keep @15 VF_ID_NUM_LOCAL 4 #
face $1698 -1 -1 $-1 $1699 $1700 $215 $-1 $1701 reversed single T -48.902553611942238 0 0 -43.999999999999972
29.150000000000041 47.534981229876763 F #

```

```

loop $-1 -1 -1 $-1 $-1 $1702 $943 T -48.902553611942238 29.15000000000002 0 -38.99999999999972 34.150000000000034
47.534981229876763 unknown #
cone-surface $-1 -1 -1 $-1 -271.8999999999998 34.14999999999999 0 -0.70710678118654746 -0.70710678118654746 0 0 0
232.90000000000001 0.70710678118654746 I I 0 -1 232.90000000000001 forward I I I #
real_attrib-name_attrib-gen-attrib $-1 -1 $1703 $944 $538 lose lose lose keep @11 VF_FACEAREA 875.13292835790719 #
string_attrib-name_attrib-gen-attrib $-1 -1 $1704 $945 $689 custom custom ignore copy @9 _VF_DATA_ @68
12:ENTITYTYPE=49:VERSION=225:Information=External face11:FaceSense=1 #
real_attrib-name_attrib-gen-attrib $-1 -1 $1705 $-1 $946 lose lose lose keep @11 VF_FACEAREA 9819.7999999999993 #
face $1706 -1 -1 $-1 $1707 $1708 $215 $-1 $1709 forward single T -80 0 160 80 80 160 F #
loop $-1 -1 -1 $-1 $-1 $1710 $946 T -80 0 0 80 80 0 unknown #
plane-surface $-1 -1 -1 $-1 0 40 0 0 0 1 1 0 0 forward_v I I I #
cface_ptr-ct-attrib $-1 -1 $-1 $949 $368 $-1 $1692 #
string_attrib-name_attrib-gen-attrib $-1 -1 $1711 $950 $442 custom custom ignore copy @9 _VF_DATA_ @68
12:ENTITYTYPE=49:VERSION=225:Information=External face11:FaceSense=1 #
real_attrib-name_attrib-gen-attrib $-1 -1 $1712 $951 $542 lose lose lose keep @11 VF_FACEAREA 766.15733870260226 #
coedge $-1 -1 -1 $-1 $966 $1713 $952 $1302 forward $1323 $-1 #
edge $1714 -1 -1 $-1 $1715 -19.787500000000001 $1325 -0.637499999999929 $1301 $1716 forward @7 unknown T
21.862837159370077 0 61.154696222063087 21.862837159370091 19.150000000000002 61.154696222063087 #
coedge $-1 -1 -1 $-1 $956 $1334 $953 $1304 forward $1310 $-1 #
edge $1717 -1 -1 $-1 $1306 -11.925171934368983 $1312 27.925119231498815 $1303 $1718 forward @7 unknown T -
44.846720713507999 0 47.534981229876706 -35.543854992528203 0 86.284205678655823 #
integer_attrib-name_attrib-gen-attrib $-1 -1 $-1 $-1 $954 lose lose ignore keep @15 VF_ID_NUM_LOCAL 41 #
vertex $1719 -1 -1 $-1 $1304 $1720 #
straight-curve $-1 -1 -1 $-1 -35.543854992528246 19.787500000000001 47.534981229876706 0 -1 0 I I #
edge $1721 -1 -1 $-1 $975 -9.575000000000011 $1312 9.575000000000011 $973 $1722 forward @7 unknown T -
44.846720713507999 0 86.284205678655809 -44.846720713507999 19.150000000000002 86.284205678655809 #
coedge $-1 -1 -1 $-1 $1723 $956 $960 $1317 forward $1310 $-1 #
loop $-1 -1 -1 $-1 $-1 $1309 $1724 T -80 0 0 80 0 160 unknown #
integer_attrib-name_attrib-gen-attrib $-1 -1 $-1 $-1 $957 lose lose ignore keep @15 VF_ID_NUM_LOCAL 39 #
vertex $1725 -1 -1 $-1 $957 $1726 #
straight-curve $-1 -1 -1 $-1 -13.657078671082056 0 93.772176236354412 0.97236992039767667 0 0.23344536385590539 I I #
integer_attrib-name_attrib-gen-attrib $-1 -1 $-1 $-1 $958 lose lose ignore keep @15 VF_ID_NUM_LOCAL 26 #
straight-curve $-1 -1 -1 $-1 -16.161808061776561 19.150000000000002 93.170843912405005 -0.97236992039767589 0 -
0.2334453638559052 I I #
edge $1727 -1 -1 $-1 $963 -20.49999999999986 $1325 19.508216120240359 $959 $1728 forward @7 unknown T
12.523104589954876 19.150000000000002 61.15469622206308 21.862837159370077 19.150000000000002 100.0574821461542 #
edge $1729 -1 -1 $-1 $962 -27.925119231498797 $1715 12.083096888741517 $1309 $1730 forward @7 unknown T
12.523104589954858 0 61.15469622206308 21.862837159370077 0 100.0574821461542 #
integer_attrib-name_attrib-gen-attrib $-1 -1 $-1 $-1 $962 lose lose ignore keep @15 VF_ID_NUM_LOCAL 29 #
point $-1 -1 -1 $-1 12.523104589954876 0 100.0574821461542 #
integer_attrib-name_attrib-gen-attrib $-1 -1 $-1 $-1 $963 lose lose ignore keep @15 VF_ID_NUM_LOCAL 27 #
point $-1 -1 -1 $-1 12.523104589954876 19.150000000000002 100.0574821461542 #
coedge $-1 -1 -1 $-1 $1731 $966 $969 $1328 forward $1323 $-1 #
loop $-1 -1 -1 $-1 $-1 $966 $1699 T 21.827642113708748 0 61.154696222063087 35.827642113708805 34.14999999999999
61.154696222063265 unknown #
integer_attrib-name_attrib-gen-attrib $-1 -1 $-1 $-1 $967 lose lose ignore keep @15 VF_ID_NUM_LOCAL 20 #
vertex $1732 -1 -1 $-1 $967 $1733 #
straight-curve $-1 -1 -1 $-1 16.543821477061925 19.150000000000006 61.154696222063087 -1 0 0 I I #
coedge $-1 -1 -1 $-1 $969 $968 $1734 $1735 forward $690 $-1 #
edge $1736 -1 -1 $-1 $971 9.5750000000000028 $1737 24.574999999999996 $1322 $1738 forward @7 unknown T
21.827642113708748 19.150000000000006 61.154696222063087 21.827642113708805 34.14999999999999 61.154696222063265 #
integer_attrib-name_attrib-gen-attrib $-1 -1 $-1 $-1 $971 lose lose ignore keep @15 VF_ID_NUM_LOCAL 25 #
point $-1 -1 -1 $-1 21.827642113708748 19.150000000000006 61.154696222063265 #
integer_attrib-name_attrib-gen-attrib $-1 -1 $-1 $-1 $975 lose lose ignore keep @15 VF_ID_NUM_LOCAL 28 #
point $-1 -1 -1 $-1 -44.846720713507999 19.150000000000002 86.284205678655809 #
coedge $-1 -1 -1 $-1 $1336 $977 $1739 $1740 forward $711 $-1 #
coedge $-1 -1 -1 $-1 $1303 $1741 $977 $1335 forward $1310 $-1 #
edge $1742 -1 -1 $-1 $1743 -18.001915208956632 $1306 -4.6432165895426465 $1334 $1744 forward @7 unknown T -
48.90255361194221 0 47.534981229876706 -35.543854992528225 0 47.534981229876706 #
coedge $-1 -1 -1 $-1 $978 $1333 $1745 $1746 forward $711 $-1 #
coedge $-1 -1 -1 $-1 $1747 $1734 $978 $1338 reversed $1695 $-1 #
edge $1748 -1 -1 $-1 $1749 -1.95191520895672 $1340 7.0480847910433368 $1337 $1750 forward @7 unknown T -
43.902553611942267 34.14999999999999 47.534981229876706 -34.90255361194221 34.14999999999999 47.534981229876706 #
integer_attrib-name_attrib-gen-attrib $-1 -1 $-1 $-1 $979 lose lose ignore keep @15 VF_ID_NUM_LOCAL 45 #
vertex $1751 -1 -1 $-1 $1735 $1752 #
straight-curve $-1 -1 -1 $-1 -34.90255361194221 9.5750000000000028 47.534981229876706 0 -1 0 I I #
string_attrib-name_attrib-gen-attrib $-1 -1 $-1 $-1 $985 custom custom ignore copy @9 _VF_DATA_ @68
12:ENTITYTYPE=29:VERSION=36:Size=317:MaterialLabel=Air11:Potential=2 #
cface $1753 -1 $1754 $372 $993 0 #
real_attrib-name_attrib-gen-attrib $-1 -1 $1755 $986 $552 lose lose lose keep @11 VF_FACEAREA 766.15733870260226 #
coedge $-1 -1 -1 $-1 $1756 $987 $1004 $1368 reversed $719 $-1 #
coedge $-1 -1 -1 $-1 $987 $1756 $1757 $1758 forward $719 $-1 #

```

```

cface $1759 -1 $1760 $372 $308 0 #
cface_ptr-ct-attrib $-1 -1 $-1 $989 $374 $-1 $551 #
real_attrib-name_attrib-gen-attrib $-1 -1 $1761 $990 $450 lose lose lose keep @11 VF_FACEAREA 2359.9534627085045 #
real_attrib-name_attrib-gen-attrib $-1 -1 $1762 $991 $556 lose lose lose keep @11 VF_FACEAREA 1117.2530385369287 #
integer_attrib-name_attrib-gen-attrib $-1 -1 $1763 $992 $725 lose lose ignore keep @15 VF_ID_NUM_LOCAL 6 #
rgb_color-st-attrib $-1 -1 $1764 $-1 $993 0.60000002384185791 0.60000002384185791 0.60000002384185791 #
loop $-1 -1 -1 $-1 $1765 $993 T -44.846720713508006 0 86.284205678655795 12.52310458995488 19.150000000000002
100.05748214615421 unknown #
plane-surface $-1 -1 -1 $-1 -16.161808061776561 9.5750000000000011 93.170843912405005 -0.23344536385590539 0
0.97236992039767667 0.97236992039767589 0 0.2334453638559052 forward_v I I I I #
edge $1766 -1 -1 $-1 $1007 -62.490777396251836 $1013 -4.1485821723912784 $1003 $1767 forward @7 unknown T -
34.90255361194221 19.150000000000002 47.534981229876706 21.827642113708784 19.150000000000006 61.154696222063265 #
coedge $-1 -1 -1 $-1 $1757 $997 $999 $1360 forward $557 $-1 #
coedge $-1 -1 -1 $-1 $1009 $1001 $997 $1358 reversed $726 $-1 #
edge $1768 -1 -1 $-1 $1016 4.1485821723913201 $1365 62.490777396251794 $997 $1769 forward @7 unknown T -
34.902553611942174 -1.7763568394002505e-015 47.534981229876706 21.827642113708748 0 61.154696222063095 #
coedge $-1 -1 -1 $-1 $998 $1757 $1770 $1771 reversed $557 $-1 #
edge $1772 -1 -1 $-1 $1365 5.2838206366468228 $1362 5.3190156823081516 $1356 $1773 forward @7 unknown T
21.827642113708748 0 61.15469622206308 21.862837159370077 0 61.154696222063087 #
integer_attrib-name_attrib-gen-attrib $-1 -1 $-1 $1000 lose lose ignore keep @15 VF_ID_NUM_LOCAL 10 #
vertex $1774 -1 -1 $-1 $1360 $1775 #
straight-curve $-1 -1 -1 $-1 21.862837159370077 19.787500000000001 61.15469622206308 0 1 0 I I #
integer_attrib-name_attrib-gen-attrib $-1 -1 $-1 $1002 lose lose ignore keep @15 VF_ID_NUM_LOCAL 12 #
vertex $1776 -1 -1 $-1 $1360 $1777 #
straight-curve $-1 -1 -1 $-1 21.827642113708748 9.5750000000000028 61.154696222063265 0 -1 0 I I #
coedge $-1 -1 -1 $-1 $1004 $1011 $1778 $1779 reversed $994 $-1 #
edge $1780 -1 -1 $-1 $1781 -20.499999999999986 $1006 19.508216120240359 $1345 $1782 forward @7 unknown T
12.523104589954876 19.150000000000002 61.15469622206308 21.862837159370077 19.150000000000002 100.0574821461542 #
integer_attrib-name_attrib-gen-attrib $-1 -1 $-1 $1006 lose lose ignore keep @15 VF_ID_NUM_LOCAL 10 #
point $-1 -1 -1 $-1 21.862837159370077 19.150000000000002 61.154696222063087 #
integer_attrib-name_attrib-gen-attrib $-1 -1 $-1 $1007 lose lose ignore keep @15 VF_ID_NUM_LOCAL 9 #
point $-1 -1 -1 $-1 21.827642113708748 19.150000000000006 61.154696222063265 #
integer_attrib-name_attrib-gen-attrib $-1 -1 $-1 $1010 lose lose ignore keep @15 VF_ID_NUM_LOCAL 7 #
straight-curve $-1 -1 -1 $-1 -34.90255361194221 9.5750000000000028 47.534981229876706 0 1 0 I I #
integer_attrib-name_attrib-gen-attrib $-1 -1 $-1 $1013 lose lose ignore keep @15 VF_ID_NUM_LOCAL 7 #
point $-1 -1 -1 $-1 -34.90255361194221 19.150000000000006 47.534981229876706 #
integer_attrib-name_attrib-gen-attrib $-1 -1 $-1 $1016 lose lose ignore keep @15 VF_ID_NUM_LOCAL 8 #
point $-1 -1 -1 $-1 -34.902553611942167 0 47.534981229876706 #
coedge $-1 -1 -1 $-1 $1770 $1778 $1018 $1380 forward $1353 $-1 #
edge $1783 -1 -1 $-1 $1385 -9.5750000000000011 $1382 9.5750000000000011 $1018 $1784 forward @7 unknown T -
44.846720713507999 0 86.284205678655809 -44.846720713507999 19.150000000000002 86.284205678655809 #
integer_attrib-name_attrib-gen-attrib $-1 -1 $-1 $1019 lose lose ignore keep @15 VF_ID_NUM_LOCAL 15 #
vertex $1785 -1 -1 $-1 $1380 $1786 #
straight-curve $-1 -1 -1 $-1 -40.061090754461944 0 66.350622310503439 0.2334453638559052 0 -0.97236992039767589 I I #
integer_attrib-name_attrib-gen-attrib $-1 -1 $-1 $1020 lose lose ignore keep @15 VF_ID_NUM_LOCAL 17 #
vertex $1787 -1 -1 $-1 $1779 $1788 #
straight-curve $-1 -1 -1 $-1 -40.061090754461944 19.150000000000002 66.350622310503439 0.2334453638559052 0 -
0.97236992039767589 I I #
rgb_color-st-attrib $-1 -1 $1789 $-1 $1021 0.60000002384185791 0.60000002384185791 0.60000002384185791 #
plane-surface $-1 -1 -1 $-1 -40.061090754461944 9.5750000000000011 66.350622310503439 0.97236992039767667 0
0.23344536385590539 0.2334453638559052 0 -0.97236992039767589 forward_v I I I I #
string_attrib-name_attrib-gen-attrib $-1 -1 $1790 $1026 $40 keep keep_kept ignore copy @14 VF_COLOUR_DATA @40
8:NAME=1979:VERSION=28:List=Phi7:Label=0 #
string_attrib-name_attrib-gen-attrib $-1 -1 $1028 $747 custom custom ignore copy @9 _VF_DATA_ @86
12:ENTITYTYPE=29:VERSION=38:Size=0.517:MaterialLabel=Air11:Potential=213:ElementType=7 #
integer_attrib-name_attrib-gen-attrib $-1 -1 $1791 $-1 $1029 lose lose ignore keep @15 VF_ID_NUM_LOCAL 11 #
cell3d-cell $1792 -1 $1793 $127 $-1 1 $1794 #
cshell $-1 -1 $-1 $1795 $1029 #
cface $1796 -1 $1797 $1030 $1798 0 #
string_attrib-name_attrib-gen-attrib $-1 -1 $-1 $1031 custom custom ignore copy @9 _VF_DATA_ @86
12:ENTITYTYPE=29:VERSION=38:Size=0.517:MaterialLabel=Air11:Potential=213:ElementType=7 #
cface $1799 -1 $1800 $748 $1801 1 #
face $1802 -1 -1 $-1 $1803 $1804 $221 $-1 $1054 forward double in T -14.574787690284523 0.8000000000000004 0 -
8.599999999999994 3 52.415246047219377 F #
string_attrib-name_attrib-gen-attrib $-1 -1 $-1 $1033 custom custom ignore copy @9 _VF_DATA_ @86
12:ENTITYTYPE=29:VERSION=38:Size=0.517:MaterialLabel=Air11:Potential=213:ElementType=7 #
cface $1805 -1 $1806 $568 $1052 1 #
fctd_mark-eye-attrib $-1 -1 $1807 $-1 $1034 #
face $1808 -1 -1 $-1 $1809 $1810 $221 $-1 $762 reversed double in T -14.574787690284527 0.39999999999999858
52.415246047219355 1.687868417735416 0.60000000000000142 56.319564344979469 F #
loop $1811 -1 -1 $-1 $-1 $1058 $1034 T 1.687868417735416 0.1999999999999996 0 8.599999999999996 0.4000000000000002
56.319564344979476 unknown #

```

```

string_attrib-name_attrib-gen-attrib $-1 -1 $-1 $-1 $1036 custom custom ignore copy @9 _VF_DATA_ @86
12:ENTITYTYPE=29:VERSION=38:Size=0.517:MaterialLabel=Air11:Potential=213:ElementType=7 #
cface $1812 -1 $1813 $458 $1401 1 #
face $1814 -1 -1 $-1 $1815 $1816 $221 $-1 $1817 reversed double in T -14.574787690284527 0.6000000000000009 0
8.599999999999996 0.600000000000000142 56.319564344979476 F #
fctd_mark-eye-attrib $-1 -1 $1818 $-1 $1037 #
loop $1819 -1 -1 $-1 $-1 $1439 $1037 T -8.599999999999996 0.3999999999999991 0 8.599999999999996 0.6000000000000009
0 unknown #
fmesh-eye-attrib $-1 -1 $1820 $1038 $752 #
fctd_mark-eye-attrib $-1 -1 $1821 $-1 $1039 #
face $1822 -1 -1 $-1 $1823 $1824 $221 $-1 $1054 forward double in T -14.574787690284523 0.6000000000000009 0 -
8.5999999999999943 0.8000000000000004 52.415246047219377 F #
loop $1825 -1 -1 $-1 $-1 $1826 $1039 T -14.574787690284527 0.6000000000000009 52.415246047219355 1.687868417735416
0.80000000000000071 56.319564344979469 unknown #
integer_attrib-name_attrib-gen-attrib $-1 -1 $-1 $-1 $1040 lose lose ignore keep @15 VF_ID_NUM_LOCAL 43 #
coedge $-1 -1 -1 $-1 $1827 $1828 $1829 $1830 reversed $1040 $-1 #
string_attrib-name_attrib-gen-attrib $-1 -1 $-1 $-1 $1042 custom custom ignore copy @9 _VF_DATA_ @86
12:ENTITYTYPE=29:VERSION=38:Size=0.517:MaterialLabel=Air11:Potential=213:ElementType=7 #
cface $1831 -1 $1832 $380 $311 1 #
integer_attrib-name_attrib-gen-attrib $-1 -1 $1833 $-1 $1043 copy keep_all ignore copy @7 VF_PAIR 0 #
face $1834 -1 -1 $-1 $1835 $1836 $221 $-1 $762 reversed double in T -14.574787690284527 1.9999999999999998
52.415246047219355 1.687868417735416 2.1499999999999999 56.319564344979469 F #
loop $1837 -1 -1 $-1 $-1 $1838 $1043 T -14.574787690284538 -1.7763568394002505e-015 0 8.599999999999996 0
56.319564344979476 unknown #
plane-surface $-1 -1 -1 $-1 0 0 -5 0 1 0 0 1 forward_v IIII #
fmesh-eye-attrib $-1 -1 $1839 $1044 $755 #
fctd_mark-eye-attrib $-1 -1 $1840 $-1 $1045 #
face $1841 -1 -1 $-1 $1842 $1843 $221 $-1 $577 forward double in T 1.687868417735416 1.5999999999999996 0
8.599999999999996 1.7999999999999998 56.319564344979476 F #
loop $1844 -1 -1 $-1 $-1 $1064 $1045 T -8.599999999999996 0 8.599999999999996 0.20000000000000018 0 unknown #
integer_attrib-name_attrib-gen-attrib $-1 -1 $-1 $-1 $1046 lose lose ignore keep @15 VF_ID_NUM_LOCAL 18 #
integer_attrib-name_attrib-gen-attrib $-1 -1 $1845 $1047 $311 lose lose ignore keep @15 VF_ID_NUM_LOCAL 21 #
real_attrib-name_attrib-gen-attrib $-1 -1 $1846 $1048 $382 lose lose lose keep @11 VF_FACEAREA 3.4399999999999951 #
string_attrib-name_attrib-gen-attrib $-1 -1 $1847 $1049 $462 custom custom ignore copy @9 _VF_DATA_ @68
12:ENTITYTYPE=49:VERSION=225:Information=Internal face11:FaceSense=0 #
integer_attrib-name_attrib-gen-attrib $-1 -1 $1848 $1050 $575 lose lose ignore keep @15 VF_ID_NUM_LOCAL 26 #
fmesh-eye-attrib $-1 -1 $1849 $1051 $760 #
integer_attrib-name_attrib-gen-attrib $-1 -1 $1850 $-1 $1052 copy keep_all ignore copy @7 VF_PAIR 9 #
loop $1851 -1 -1 $-1 $-1 $1466 $1052 T -14.574787690284527 0.39999999999999858 0 8.599999999999996 0.4000000000000002
56.319564344979476 unknown #
plane-surface $-1 -1 -1 $-1 0 0.40000000000000002 -5 0 1 0 0 1 forward_v IIII #
integer_attrib-name_attrib-gen-attrib $-1 -1 $-1 $-1 $1053 lose lose ignore keep @15 VF_ID_NUM_LOCAL 73 #
coedge $-1 -1 -1 $-1 $1057 $1056 $1852 $1853 reversed $576 $-1 #
edge $1854 -1 -1 $-1 $1855 -1.0599999999999987 $777 -0.85999999999999877 $1475 $1479 forward @7 unknown T
1.687868417735416 0 56.319564344979455 1.687868417735416 0.20000000000000001 56.319564344979469 #
coedge $-1 -1 -1 $-1 $1447 $1856 $1451 $1437 forward $1857 $-1 #
edge $1858 -1 -1 $-1 $1859 -1.0750000000000561 $1067 -0.87500000000005618 $1451 $1450 forward @7 unknown T
8.5999999999999943 0 8.599999999999996 0.20000000000000001 0 #
coedge $-1 -1 -1 $-1 $1058 $1446 $773 $1081 reversed $1402 $-1 #
coedge $-1 -1 -1 $-1 $1860 $1861 $1862 $1440 reversed $1407 $-1 #
edge $1863 -1 -1 $-1 $1444 -8.599999999999996 $1449 8.599999999999996 $1059 $1864 forward @7 unknown T -
8.599999999999996 0.3999999999999991 0 8.599999999999996 0.4000000000000002 0 #
coedge $-1 -1 -1 $-1 $1060 $1461 $1865 $1866 forward $1053 $-1 #
coedge $-1 -1 -1 $-1 $1460 $1867 $765 $1061 forward $1868 $-1 #
pplist-eye-attrib $-1 -1 $1869 $-1 $1061 #
vertex $1870 -1 -1 $-1 $1061 $1871 #
straight-curve $-1 -1 -1 $-1 -8.5999999999999943 1.0750000000000024 0 0 -1 0 II #
coedge $-1 -1 -1 $-1 $1438 $1062 $1413 $1830 forward $1402 $-1 #
coedge $-1 -1 -1 $-1 $1872 $1436 $766 $1063 forward $1857 $-1 #
pplist-eye-attrib $-1 -1 $1873 $-1 $1063 #
vertex $1874 -1 -1 $-1 $1875 $1876 #
straight-curve $-1 -1 -1 $-1 8.5999999999999943 1.0750000000000561 0 0 1 0 II #
coedge $-1 -1 -1 $-1 $1877 $1064 $1057 $1437 reversed $1423 $-1 #
coedge $-1 -1 -1 $-1 $1064 $1877 $1069 $1455 reversed $1423 $-1 #
integer_attrib-name_attrib-gen-attrib $-1 -1 $1878 $1065 $768 copy keep_all ignore copy @13 VF_PAIR_GROUP 2 #
integer_attrib-name_attrib-gen-attrib $-1 -1 $1879 $-1 $1066 copy keep_all ignore copy @7 VF_PAIR 41 #
edge $1880 -1 -1 $-1 $1066 0.8750000000000244 $1881 1.075000000000024 $1452 $1445 forward @7 unknown T -
8.599999999999996 0 0 -8.5999999999999943 0.20000000000000001 0 #
point $-1 -1 -1 $-1 $-1 $1882 $-1 $1067 copy keep_all ignore copy @7 VF_PAIR 40 #
point $-1 -1 -1 $-1 8.599999999999996 0.20000000000000001 0 #
coedge $-1 -1 -1 $-1 $1070 $1069 $1883 $1884 reversed $1072 $-1 #

```

```

coedge $-1 -1 -1 $-1 $1885 $1442 $1452 $1455 forward $1868 $-1 #
coedge $-1 -1 -1 $-1 $1441 $1071 $772 $1079 reversed $1053 $-1 #
integer_attr-name_attr-gen-attr $-1 -1 $-1 $1072 lose lose ignore keep @15 VF_ID_NUM_LOCAL 19 #
face $1886 -1 -1 $-1 $755 $1072 $221 $-1 $1054 forward double in T -14.574787690284523 0 0 -8.5999999999999943
0.20000000000000001 52.415246047219377 F #
integer_attr-name_attr-gen-attr $-1 -1 $1887 $1073 $770 copy keep_all ignore copy @13 VF_PAIR_GROUP 1 #
integer_attr-name_attr-gen-attr $-1 -1 $1888 $1075 $771 copy keep_all ignore copy @13 VF_PAIR_GROUP 3 #
coedge $-1 -1 -1 $-1 $1889 $1829 $1890 $1467 reversed $1431 $-1 #
edge $1891 -1 -1 $-1 $1472 28.655101678824138 $1478 45.37986430966415 $1077 $1892 forward @7 unknown T -
14.574787690284527 0.3999999999999998 52.415246047219362 1.687868417735416 0.40000000000000002 56.319564344979469
#
coedge $-1 -1 -1 $-1 $1893 $1078 $1070 $1086 forward $1470 $-1 #
coedge $-1 -1 -1 $-1 $1078 $1894 $1895 $1896 forward $1470 $-1 #
loop $1897 -1 -1 $-1 $1898 $1899 T -34.902553611942217 -1.7763568394002505e-015 47.534981229876706 -
14.574787690284438 19.1500000000000205 52.415246047219384 unknown #
plist-eye-attr $-1 -1 $1900 $-1 $1079 #
vertex $1901 -1 -1 $-1 $1079 $1902 #
straight-curve $-1 -1 -1 $-1 -14.574787690284523 1.0650000000000013 52.415246047219355 0 -1 0 II #
coedge $-1 -1 -1 $-1 $1903 $1080 $1828 $1904 forward $1476 $-1 #
coedge $-1 -1 -1 $-1 $1080 $1905 $1056 $1435 forward $1476 $-1 #
loop $1906 -1 -1 $-1 $1907 $1908 T 1.6878684177353804 -1.7763568394002505e-015 56.319564344979447 21.827642113708748
19.150000000000134 61.154696222063265 unknown #
plist-eye-attr $-1 -1 $1909 $-1 $1081 #
vertex $1910 -1 -1 $-1 $1904 $1911 #
straight-curve $-1 -1 -1 $-1 1.687868417735416 1.0599999999999987 56.319564344979455 0 1 0 II #
coedge $-1 -1 -1 $-1 $1083 $1082 $1912 $1913 reversed $1046 $-1 #
plist-eye-attr $-1 -1 $1914 $1084 $583 #
integer_attr-name_attr-gen-attr $-1 -1 $1915 $1085 $776 copy keep_all ignore copy @13 VF_PAIR_GROUP 1 #
plist-eye-attr $-1 -1 $1916 $-1 $1086 #
vertex $1917 -1 -1 $-1 $1913 $1918 #
integer_attr-name_attr-gen-attr $-1 -1 $1919 $1088 $777 copy keep_all ignore copy @13 VF_PAIR_GROUP 0 #
string_attr-name_attr-gen-attr $-1 -1 $1920 $1090 $41 keep keep_kept ignore copy @10 VF_PR_VERT @9 3,66,16,0 #
string_attr-name_attr-gen-attr $-1 -1 $1921 $1091 $45 keep keep_kept ignore copy @10 VF_PR_VERT @9 7,65,68,2 #
string_attr-name_attr-gen-attr $-1 -1 $1922 $1092 $49 keep keep_kept ignore copy @10 VF_PR_VERT @10 11,65,72,4 #
string_attr-name_attr-gen-attr $-1 -1 $1923 $1093 $53 keep keep_kept ignore copy @10 VF_PR_VERT @10 15,65,76,6 #
string_attr-name_attr-gen-attr $-1 -1 $1924 $1094 $57 keep keep_kept ignore copy @10 VF_PR_VERT @10 19,65,80,8 #
string_attr-name_attr-gen-attr $-1 -1 $1925 $1095 $61 keep keep_kept ignore copy @10 VF_PR_VERT @11 23,65,84,10 #
string_attr-name_attr-gen-attr $-1 -1 $1926 $1096 $65 keep keep_kept ignore copy @10 VF_PR_VERT @11 27,65,88,12 #
string_attr-name_attr-gen-attr $-1 -1 $1927 $1097 $69 keep keep_kept ignore copy @10 VF_PR_VERT @11 31,65,92,14 #
string_attr-name_attr-gen-attr $-1 -1 $1928 $1098 $73 keep keep_kept ignore copy @10 VF_PR_VERT @11 35,93,98,16 #
string_attr-name_attr-gen-attr $-1 -1 $1929 $1099 $77 keep keep_kept ignore copy @10 VF_PR_VERT @12 39,65,102,18 #
string_attr-name_attr-gen-attr $-1 -1 $1930 $1100 $0 keep keep_kept ignore copy @14 VF_COLOUR_DATA @66
8:NAME=2269:VERSION=29:List=CLCS31:Label=Local Coordinate System16 #
string_attr-name_attr-gen-attr $-1 -1 $-1 $1102 custom custom ignore copy @9 _VF_DATA_ @68
12:ENTITYTYPE=29:VERSION=36:Size=117:MaterialLabel=Air11:Potential=2 #
cface $1931 -1 $1932 $346 $615 0 #
string_attr-name_attr-gen-attr $-1 -1 $-1 $1104 custom custom ignore copy @9 _VF_DATA_ @68
12:ENTITYTYPE=29:VERSION=36:Size=117:MaterialLabel=Air11:Potential=2 #
cface $1933 -1 $1934 $411 $348 0 #
integer_attr-name_attr-gen-attr $-1 -1 $1935 $-1 $1105 lose lose ignore keep @15 VF_ID_NUM_LOCAL 11 #
loop $-1 -1 -1 $-1 $1519 $1105 T 21.827642113708748 0 0 30 19.150000000000006 61.154696222063265 unknown #
cone-surface $-1 -1 -1 $-1 -202.90000000000001 19.150000000000006 0 0 -1 0 232.90000000000001 0 0 1 110 -1
232.90000000000001 forward III #
string_attr-name_attr-gen-attr $-1 -1 $1936 $1106 $794 custom custom ignore copy @9 _VF_DATA_ @89
12:ENTITYTYPE=49:VERSION=225:Information=External face18:BoundaryLabel=norm11:FaceSense=1 #
coedge $-1 -1 -1 $-1 $1937 $1938 $1132 $1533 forward $1107 $-1 #
real_attr-name_attr-gen-attr $-1 -1 $1939 $1108 $599 lose lose lose keep @11 VF_FACEAREA 363.65419707382023 #
rgb_color-st-attr $-1 -1 $-1 $1110 $413 0.60000002384185791 0.60000002384185791 0.60000002384185791 #
integer_attr-name_attr-gen-attr $-1 -1 $1940 $1111 $496 lose lose ignore keep @15 VF_ID_NUM_LOCAL 6 #
rgb_color-st-attr $-1 -1 $1941 $1112 $603 0.60000002384185791 0.60000002384185791 0.60000002384185791 #
coedge $-1 -1 -1 $-1 $1113 $1116 $1937 $1942 reversed $801 $-1 #
coedge $-1 -1 -1 $-1 $1512 $1114 $1118 $1518 reversed $604 $-1 #
coedge $-1 -1 -1 $-1 $1115 $1511 $1520 $1943 reversed $604 $-1 #
coedge $-1 -1 -1 $-1 $1938 $1937 $1115 $1514 forward $1107 $-1 #
edge $1944 -1 -1 $-1 $1516 8.599999999999996 $1945 30 $1513 $1946 forward @7 unknown T 8.599999999999996 0 0 30 0 0 #
integer_attr-name_attr-gen-attr $-1 -1 $-1 $1117 lose lose ignore keep @15 VF_ID_NUM_LOCAL 20 #
vertex $1947 -1 -1 $-1 $1514 $1948 #
straight-curve $-1 -1 -1 $-1 8.599999999999994 2 0 0 -1 0 II #
edge $1949 -1 -1 $-1 $1522 -12.175000000000001 $1127 5.225000000000005 $1511 $1950 forward @7 unknown T
12.599999999999994 19.150000000000006 0 30 19.150000000000006 0 #
coedge $-1 -1 -1 $-1 $1951 $1119 $1121 $1524 forward $1502 $-1 #
coedge $-1 -1 -1 $-1 $1119 $1951 $1512 $1943 forward $1502 $-1 #

```

```

integer_attr-name_attr-gen-attr $-1 -1 $-1 $-1 $1120 lose lose ignore keep @15 VF_ID_NUM_LOCAL 6 #
vertex $1952 -1 -1 $-1 $1943 $1953 #
ellipse-curve $-1 -1 -1 $-1 -202.90000000000001 19.150000000000006 0 0 -1 0 232.90000000000001 0 0 1 I I #
edge $1954 -1 -1 $-1 $1123 -9.575000000000028 $1955 9.575000000000028 $1519 $1956 forward @7 unknown T
21.827642113708748 0 61.154696222063087 21.827642113708748 19.150000000000006 61.154696222063265 #
integer_attr-name_attr-gen-attr $-1 -1 $-1 $-1 $1123 lose lose ignore keep @15 VF_ID_NUM_LOCAL 2 #
point $-1 -1 -1 $-1 21.827642113708748 19.150000000000006 61.154696222063265 #
integer_attr-name_attr-gen-attr $-1 -1 $-1 $-1 $1125 lose lose ignore keep @15 VF_ID_NUM_LOCAL 25 #
straight-curve $-1 -1 -1 $-1 -3.6200578592092825 -49.785245901639335 0 -0.22903933372554727 -0.97341716833357594 0 I I #
integer_attr-name_attr-gen-attr $-1 -1 $-1 $-1 $1127 lose lose ignore keep @15 VF_ID_NUM_LOCAL 10 #
point $-1 -1 -1 $-1 12.599999999999994 19.150000000000006 0 #
integer_attr-name_attr-gen-attr $-1 -1 $-1 $-1 $1130 lose lose ignore keep @15 VF_ID_NUM_LOCAL 16 #
point $-1 -1 -1 $-1 8.599999999999996 2.1500000000001194 0 #
edge $1957 -1 -1 $-1 $1955 -66.091913575582026 $1535 -45.379864309664143 $1505 $1958 forward @7 unknown T
1.687868417735416 -1.7763568394002505e-015 56.31956434497944 21.827642113708748 0 61.154696222063087 #
integer_attr-name_attr-gen-attr $-1 -1 $-1 $-1 $1133 lose lose ignore keep @15 VF_ID_NUM_LOCAL 11 #
vertex $1959 -1 -1 $-1 $1942 $1960 #
straight-curve $-1 -1 -1 $-1 1.687868417735416 1.0750000000000597 56.319564344979455 0 1 0 I I #
cface_ptr-ct-attr $-1 -1 $-1 $1139 $418 $-1 $1102 #
rgb_color-st-attr $-1 -1 $1961 $1140 $503 0.60000002384185791 0.60000002384185791 0.60000002384185791 #
rgb_color-st-attr $-1 -1 $1962 $1141 $615 0.60000002384185791 0.60000002384185791 0.60000002384185791 #
real_attr-name_attr-gen-attr $-1 -1 $1963 $1142 $822 lose lose lose keep @11 VF_FACEAREA 916.73640806473168 #
real_attr-name_attr-gen-attr $-1 -1 $1964 $-1 $1143 lose lose lose keep @11 VF_FACEAREA 375.80999999999949 #
loop $-1 -1 -1 $-1 $1965 $1143 T -29.99999999999972 0 0 -8.599999999999943 19.150000000000006 0 unknown #
coedge $-1 -1 -1 $-1 $1555 $1965 $1145 $1544 reversed $1542 $-1 #
edge $1966 -1 -1 $-1 $1546 -29.99999999999972 $1550 -8.599999999999996 $1145 $1967 forward @7 unknown T -
29.99999999999972 0 0 -8.599999999999996 0 #
integer_attr-name_attr-gen-attr $-1 -1 $-1 $-1 $1146 lose lose ignore keep @15 VF_ID_NUM_LOCAL 17 #
vertex $1968 -1 -1 $-1 $1544 $1969 #
ellipse-curve $-1 -1 -1 $-1 -262.8999999999998 0 0 0 1 0 232.90000000000001 0 0 1 I I #
coedge $-1 -1 -1 $-1 $1164 $1147 $1965 $1970 forward $823 $-1 #
integer_attr-name_attr-gen-attr $-1 -1 $-1 $-1 $1148 lose lose ignore keep @15 VF_ID_NUM_LOCAL 19 #
vertex $1971 -1 -1 $-1 $1970 $1972 #
ellipse-curve $-1 -1 -1 $-1 -241.5 0 0 0 -1 0 232.90000000000001 0 0 1 I I #
integer_attr-name_attr-gen-attr $-1 -1 $-1 $-1 $1150 lose lose ignore keep @15 VF_ID_NUM_LOCAL 13 #
point $-1 -1 -1 $-1 -14.574787690284523 0 52.415246047219355 #
coedge $-1 -1 -1 $-1 $1965 $1152 $1154 $1558 reversed $1542 $-1 #
coedge $-1 -1 -1 $-1 $1152 $1543 $1158 $1561 reversed $1542 $-1 #
integer_attr-name_attr-gen-attr $-1 -1 $-1 $-1 $1153 lose lose ignore keep @15 VF_ID_NUM_LOCAL 27 #
straight-curve $-1 -1 -1 $-1 -17.824999999999999 19.150000000000006 0 -1 0 0 I I #
edge $1973 -1 -1 $-1 $1565 -70.807510021253009 $1156 -53.343260824679966 $1554 $1974 forward @7 unknown T -
12.600000000000016 2.149999999999346 0 -8.600000000000014 19.150000000000006 0 #
integer_attr-name_attr-gen-attr $-1 -1 $-1 $-1 $1156 lose lose ignore keep @15 VF_ID_NUM_LOCAL 5 #
point $-1 -1 -1 $-1 -12.599999999999994 19.150000000000006 0 #
edge $1975 -1 -1 $-1 $1160 -9.575000000000028 $1546 9.575000000000028 $1555 $1976 forward @7 unknown T -
29.99999999999972 0 0 -29.99999999999972 19.150000000000006 0 #
integer_attr-name_attr-gen-attr $-1 -1 $-1 $-1 $1160 lose lose ignore keep @15 VF_ID_NUM_LOCAL 20 #
point $-1 -1 -1 $-1 -29.99999999999972 19.150000000000006 0 #
integer_attr-name_attr-gen-attr $-1 -1 $-1 $-1 $1167 lose lose ignore keep @15 VF_ID_NUM_LOCAL 21 #
vertex $1977 -1 -1 $-1 $1558 $1978 #
ellipse-curve $-1 -1 -1 $-1 -241.5 2.1500000000000119 0 4.5381379108765527e-016 1 0 232.90000000000001 0 0 1 I I #
string_attr-name_attr-gen-attr $-1 -1 $-1 $-1 $1171 custom custom ignore copy @9_VF_DATA_@89
12:ENTITYTYPE=29:VERSION=36:Size=319:MaterialLabel=ferro11:Potential=516:VolumeLabel=pack #
cface $1979 -1 $1980 $354 $1981 0 #
face $1982 -1 -1 $-1 $1983 $1984 $209 $-1 $1985 forward single T 1.687868417735416 2.149999999999591 0 12.599999999999994
19.150000000000134 57.225229136680923 F #
integer_attr-name_attr-gen-attr $-1 -1 $1986 $-1 $1172 lose lose ignore keep @15 VF_ID_NUM_LOCAL 12 #
face $1987 -1 -1 $-1 $1988 $1612 $209 $-1 $1989 forward single T 21.827642113708748 0 61.154696222063087
35.827642113708805 34.149999999999999 61.154696222063095 F #
loop $-1 -1 -1 $-1 $-1 $1990 $1172 T 5.4602337663884271 19.150000000000006 0 30 19.150000000000006 61.154696222063102
unknown #
plane-surface $-1 -1 -1 $-1 35.649999999999999 19.150000000000006 0 0 -1 0 0 0 -1 forward_v I I I I #
real_attr-name_attr-gen-attr $-1 -1 $1991 $1173 $850 lose lose lose keep @11 VF_FACEAREA 1395.4499370802596 #
integer_attr-name_attr-gen-attr $-1 -1 $1992 $-1 $1174 lose lose ignore keep @15 VF_ID_NUM_LOCAL 17 #
face $1993 -1 -1 $-1 $1981 $1994 $209 $-1 $1995 reversed single T 21.827642113708748 0 0 44 0 61.154696222063087 F #
cone-surface $-1 -1 -1 $-1 -271.89999999999998 34.149999999999999 0 -0.70710678118654746 -0.70710678118654746 0 0 0
232.90000000000001 0.70710678118654746 I I 0 -1 232.90000000000001 forward I I I I #
string_attr-name_attr-gen-attr $-1 -1 $1996 $1177 $633 custom custom ignore copy @9_VF_DATA_@89
12:ENTITYTYPE=49:VERSION=225:Information=External face18:BoundaryLabel=norm11:FaceSense=1 #
coedge $-1 -1 -1 $-1 $1598 $1178 $1215 $1632 forward $852 $-1 #
string_attr-name_attr-gen-attr $-1 -1 $-1 $-1 $1179 custom custom ignore copy @9_VF_DATA_@89
12:ENTITYTYPE=29:VERSION=36:Size=319:MaterialLabel=ferro11:Potential=516:VolumeLabel=pack #

```

```

cface $1997 -1 $1998 $354 $1988 0 #
string_attrib-name_attrib-gen-attrb $-1 -1 $-1 $-1 $1181 custom custom ignore copy @9_VF_DATA_@89
12:ENTITYTYPE=29:VERSION=36:Size=319:MaterialLabel=ferro11:Potential=516:VolumeLabel=pack #
cface $1999 -1 $-1 $354 $1571 0 #
rgb_color-st-attrb $-1 -1 $-1 $1182 $426 0.54901963472366333 0.90196079015731812 0.019607843831181526 #
rgb_color-st-attrb $-1 -1 $2000 $1183 $515 0.54901963472366333 0.90196079015731812 0.019607843831181526 #
real_attrib-name_attrib-gen-attrb $-1 -1 $2001 $1184 $638 lose lose lose keep @11 VF_FACEAREA 914.74647437939279 #
string_attrib-name_attrib-gen-attrb $-1 -1 $2002 $1185 $859 custom custom ignore copy @9_VF_DATA_@87
12:ENTITYTYPE=49:VERSION=225:Information=External face16:FaceDirection=-111:FaceSense=0 #
coedge $-1 -1 -1 $-1 $2003 $1188 $1592 $2004 reversed $860 $-1 #
coedge $-1 -1 -1 $-1 $1188 $2003 $2005 $2006 reversed $860 $-1 #
edge $2007 -1 -1 $-1 $2008 1.5674424361400141 $1594 1.5714520316378984 $1188 $2009 forward @7 unknown T -
18.366448438385049 2.14999999999995154 51.504948839962601 -14.574787690284438 19.150000000000205 52.415246047219384 #
coedge $-1 -1 -1 $-1 $2010 $1189 $2011 $2012 reversed $639 $-1 #
coedge $-1 -1 -1 $-1 $1190 $1602 $1588 $2004 forward $1186 $-1 #
integer_attrib-name_attrib-gen-attrb $-1 -1 $-1 $-1 $1191 lose lose ignore keep @15 VF_ID_NUM_LOCAL 19 #
vertex $2013 -1 -1 $-1 $1191 $2014 #
straight-curve $-1 -1 -1 $-1 -58.724254150864475 19.150000000000006 41.815896925314121 -0.97236992039767578 0 -
0.23344536385590517 11 #
coedge $-1 -1 -1 $-1 $2015 $2016 $1192 $1597 reversed $1622 $-1 #
edge $2017 -1 -1 $-1 $1600 0 $1604 19.150000000000006 $1192 $2018 reversed @7 unknown T -29.99999999999972 0 0 -
29.99999999999972 19.150000000000006 0 #
coedge $-1 -1 -1 $-1 $1193 $1579 $2015 $2019 forward $852 $-1 #
integer_attrib-name_attrib-gen-attrb $-1 -1 $-1 $-1 $1194 lose lose ignore keep @15 VF_ID_NUM_LOCAL 42 #
vertex $2020 -1 -1 $-1 $1194 $2021 #
ellipse-curve $-1 -1 -1 $-1 -262.8999999999998 0 0 0 1 0 232.9000000000001 0 0 1 11 #
coedge $-1 -1 -1 $-1 $1592 $1195 $2016 $2022 forward $1186 $-1 #
integer_attrib-name_attrib-gen-attrb $-1 -1 $-1 $-1 $1196 lose lose ignore keep @15 VF_ID_NUM_LOCAL 50 #
vertex $2023 -1 -1 $-1 $1196 $2024 #
ellipse-curve $-1 -1 -1 $-1 -262.8999999999998 19.150000000000006 0 0 1 0 232.9000000000001 0 0 1 11 #
integer_attrib-name_attrib-gen-attrb $-1 -1 $-1 $-1 $1198 lose lose ignore keep @15 VF_ID_NUM_LOCAL 16 #
point $-1 -1 -1 $-1 -34.902553611942167 0 47.534981229876706 #
coedge $-1 -1 -1 $-1 $2025 $2026 $1200 $1609 reversed $2027 $-1 #
edge $2028 -1 -1 $-1 $1614 1.3051020955728836 $1624 1.5707963267948966 $1200 $2029 forward @7 unknown T
30.827642113708777 34.149999999999999 1.4260540990261583e-014 38.99999999999972 34.149999999999999
61.154696222063087 #
coedge $-1 -1 -1 $-1 $2030 $1201 $1203 $1617 reversed $1612 $-1 #
coedge $-1 -1 -1 $-1 $1201 $2031 $2025 $2032 reversed $1612 $-1 #
loop $-1 -1 -1 $-1 $1201 $1571 T 21.827642113708748 0 61.154696222063087 35.827642113708805 34.149999999999999
61.154696222063095 unknown #
integer_attrib-name_attrib-gen-attrb $-1 -1 $-1 $-1 $1202 lose lose ignore keep @15 VF_ID_NUM_LOCAL 1 #
vertex $2033 -1 -1 $-1 $1609 $2034 #
straight-curve $-1 -1 -1 $-1 9.7319105284271785 34.149999999999999 61.154696222063087 1 0 0 11 #
coedge $-1 -1 -1 $-1 $1203 $2035 $1990 $2036 reversed $639 $-1 #
edge $2037 -1 -1 $-1 $2038 -10.849999999999994 $1205 4.149999999999986 $1610 $2039 forward @7 unknown T
21.827642113708748 19.150000000000006 61.154696222063087 21.827642113708805 34.149999999999999 61.154696222063087 #
integer_attrib-name_attrib-gen-attrb $-1 -1 $-1 $-1 $1205 lose lose ignore keep @15 VF_ID_NUM_LOCAL 22 #
point $-1 -1 -1 $-1 21.827642113708748 34.149999999999999 61.154696222063087 #
coedge $-1 -1 -1 $-1 $2040 $1207 $2026 $2041 reversed $1622 $-1 #
coedge $-1 -1 -1 $-1 $1207 $2042 $1209 $1626 reversed $1622 $-1 #
loop $-1 -1 -1 $-1 $2043 $2044 T -44 0 0 44 34.150000000000002 1.4260540990261583e-014 unknown #
integer_attrib-name_attrib-gen-attrb $-1 -1 $-1 $-1 $1208 lose lose ignore keep @15 VF_ID_NUM_LOCAL 12 #
vertex $2045 -1 -1 $-1 $2041 $2046 #
straight-curve $-1 -1 -1 $-1 -12.5 34.149999999999999 0 1 0 0 11 #
edge $2047 -1 -1 $-1 $1211 -164.68516933834687 $1636 -157.61410152648145 $1209 $2048 reversed @7 unknown T -44
29.150000000000041 0 -39.000000000000014 34.150000000000002 1.4260540990261583e-014 #
integer_attrib-name_attrib-gen-attrb $-1 -1 $-1 $-1 $1211 lose lose ignore keep @15 VF_ID_NUM_LOCAL 8 #
point $-1 -1 -1 $-1 -39.000000000000028 34.149999999999999 1.4260540990261583e-014 #
integer_attrib-name_attrib-gen-attrb $-1 -1 $-1 $-1 $1213 lose lose ignore keep @15 VF_ID_NUM_LOCAL 8 #
straight-curve $-1 -1 -1 $-1 -54.450638402985547 0 47.534981229876706 -1 0 0 11 #
coedge $-1 -1 -1 $-1 $1215 $1214 $2042 $2049 forward $1175 $-1 #
edge $2050 -1 -1 $-1 $1217 -0.20554466681645578 $2051 0 $1579 $2052 reversed @7 unknown T -48.90255361194221 0 0 -
43.99999999999972 0 47.534981229876706 #
integer_attrib-name_attrib-gen-attrb $-1 -1 $-1 $-1 $1217 lose lose ignore keep @15 VF_ID_NUM_LOCAL 10 #
point $-1 -1 -1 $-1 -48.90255361194221 0 47.534981229876706 #
integer_attrib-name_attrib-gen-attrb $-1 -1 $-1 $-1 $1219 lose lose ignore keep @15 VF_ID_NUM_LOCAL 51 #
vertex $2053 -1 -1 $-1 $1219 $2054 #
ellipse-curve $-1 -1 -1 $-1 -276.8999999999998 29.1499999999999 0 -1.8305094094291976e-016 1 0 0 0 232.9000000000001
0.999999999999989 11 #
string_attrib-name_attrib-gen-attrb $-1 -1 $-1 $-1 $1225 custom custom ignore copy @9_VF_DATA_@86
12:ENTITYTYPE=29:VERSION=38:Size=0.517:MaterialLabel=Air 11:Potential=213:ElementType=7 #
integer_attrib-name_attrib-gen-attrb $-1 -1 $2055 $-1 $1226 lose lose ignore keep @15 VF_ID_NUM_LOCAL 10 #

```



```

plane-surface $-1 -1 -1 $-1 0 0 -5 0 1 0 0 0 1 forward_v I I I I #
rgb_color-st-attrib $-1 -1 $2056 $1227 $656 0.60000002384185791 0.60000002384185791 0.60000002384185791 #
string_attrib-name_attrib-gen-attrib $-1 -1 $2057 $1228 $524 custom custom ignore copy @9 _VF_DATA_ @68
12:ENTITYTYPE=49:VERSION=225:Information=External face11:FaceSense=1 #
real_attrib-name_attrib-gen-attrib $-1 -1 $2058 $1229 $658 lose lose lose keep @11 VF_FACEAREA 36.695999999999991 #
real_attrib-name_attrib-gen-attrib $-1 -1 $2059 $1230 $894 lose lose lose keep @11 VF_FACEAREA 112.60908427514433 #
coedge $-1 -1 -1 $-1 $1675 $1232 $1672 $2060 reversed $895 $-1 #
coedge $-1 -1 -1 $-1 $1232 $1248 $1243 $1658 reversed $895 $-1 #
coedge $-1 -1 -1 $-1 $1241 $1240 $1232 $1648 forward $666 $-1 #
edge $2061 -1 -1 $-1 $2062 -8.5999999999999996 $1660 -3 $1232 $2063 forward @7 unknown T 3 2.1200000000000001 0
8.5999999999999996 2.1200000000000001 0 #
string_attrib-name_attrib-gen-attrib $-1 -1 $-1 $-1 $1234 custom custom ignore copy @9 _VF_DATA_ @86
12:ENTITYTYPE=29:VERSION=38:Size=0.517:MaterialLabel=Air11:Potential=213:ElementType=7 #
string_attrib-name_attrib-gen-attrib $-1 -1 $-1 $-1 $1236 custom custom ignore copy @9 _VF_DATA_ @86
12:ENTITYTYPE=29:VERSION=38:Size=0.517:MaterialLabel=Air11:Potential=213:ElementType=7 #
cface $2064 -1 $2065 $360 $658 0 #
rgb_color-st-attrib $-1 -1 $-1 $1237 $434 0.60000002384185791 0.60000002384185791 0.60000002384185791 #
cface_ptr-ct-attrib $-1 -1 $2066 $1238 $528 $-1 $2065 #
real_attrib-name_attrib-gen-attrib $-1 -1 $2067 $1239 $665 lose lose lose keep @11 VF_FACEAREA 120.59286030038534 #
edge $2068 -1 -1 $-1 $2062 0 $1264 0.24423969373118543 $1262 $2069 forward @7 unknown T 1.687868417735416
2.1199999999999997 0 8.5999999999999996 2.1200000000000001 56.319564344979476 #
integer_attrib-name_attrib-gen-attrib $-1 -1 $-1 $-1 $1242 lose lose ignore keep @15 VF_ID_NUM_LOCAL 6 #
straight-curve $-1 -1 -1 $-1 -10.18236196308019 2.1200000000000001 53.469774165158157 0.97236992039767578 0
0.23344536385590517 11 #
edge $2070 -1 -1 $-1 $1660 -0.01499999999999968 $1251 0.015000000000000124 $1646 $2071 forward @7 unknown T 3
2.1200000000000001 0 3 2.1499999999999999 0 #
integer_attrib-name_attrib-gen-attrib $-1 -1 $-1 $-1 $1244 lose lose ignore keep @15 VF_ID_NUM_LOCAL 16 #
vertex $2072 -1 -1 $-1 $1658 $2073 #
ellipse-curve $-1 -1 -1 $-1 -229.90000000000001 2.1200000000000001 0 0 1 0 232.90000000000001 0 0 1 11 #
integer_attrib-name_attrib-gen-attrib $-1 -1 $-1 $-1 $1246 lose lose ignore keep @15 VF_ID_NUM_LOCAL 10 #
point $-1 -1 -1 $-1 -3.5995596259547256 2.1199999999999997 55.050165181524932 #
coedge $-1 -1 -1 $-1 $1248 $1680 $1253 $1669 reversed $895 $-1 #
integer_attrib-name_attrib-gen-attrib $-1 -1 $-1 $-1 $1249 lose lose ignore keep @15 VF_ID_NUM_LOCAL 20 #
straight-curve $-1 -1 -1 $-1 0.05000000000000044 2.1500000000000004 0 -1 0 0 11 #
integer_attrib-name_attrib-gen-attrib $-1 -1 $-1 $-1 $1251 lose lose ignore keep @15 VF_ID_NUM_LOCAL 3 #
point $-1 -1 -1 $-1 3 2.1499999999999999 0 #
edge $2074 -1 -1 $-1 $1255 -0.010000000000000231 $1683 0.0099999999999997868 $1664 $2075 forward @7 unknown T -
2.80000000000000114 2.1299999999999999 0 -2.7999999999999994 2.1499999999999999 0 #
integer_attrib-name_attrib-gen-attrib $-1 -1 $-1 $-1 $1255 lose lose ignore keep @15 VF_ID_NUM_LOCAL 16 #
point $-1 -1 -1 $-1 -2.7999999999999998 2.1499999999999999 0 #
coedge $-1 -1 -1 $-1 $1262 $1261 $1645 $2060 forward $903 $-1 #
integer_attrib-name_attrib-gen-attrib $-1 -1 $-1 $-1 $1264 lose lose ignore keep @15 VF_ID_NUM_LOCAL 7 #
point $-1 -1 -1 $-1 1.687868417735416 2.1199999999999997 56.319564344979469 #
coedge $-1 -1 -1 $-1 $1277 $1645 $1266 $1676 reversed $895 $-1 #
edge $2076 -1 -1 $-1 $1283 -8.5999999999999943 $1678 8.5999999999999943 $1266 $2077 forward @7 unknown T -
8.5999999999999996 0 8.5999999999999996 0 0 #
integer_attrib-name_attrib-gen-attrib $-1 -1 $-1 $-1 $1267 lose lose ignore keep @15 VF_ID_NUM_LOCAL 19 #
vertex $2078 -1 -1 $-1 $2060 $2079 #
ellipse-curve $-1 -1 -1 $-1 -224.30000000000001 0 0 0 -1 0 232.90000000000001 0 0 1 11 #
coedge $-1 -1 -1 $-1 $1664 $1277 $1273 $1681 reversed $895 $-1 #
edge $2080 -1 -1 $-1 $1683 -0.05000000000000266 $1280 5.75 $1680 $2081 forward @7 unknown T -8.5999999999999996
2.1299999999999999 0 -2.7999999999999994 2.1299999999999999 0 #
integer_attrib-name_attrib-gen-attrib $-1 -1 $-1 $-1 $1274 lose lose ignore keep @15 VF_ID_NUM_LOCAL 21 #
vertex $2082 -1 -1 $-1 $1669 $2083 #
ellipse-curve $-1 -1 -1 $-1 -235.70000000000002 2.1299999999999999 0 0 -1 0 232.90000000000001 0 0 1 11 #
integer_attrib-name_attrib-gen-attrib $-1 -1 $-1 $-1 $1278 lose lose ignore keep @15 VF_ID_NUM_LOCAL 12 #
straight-curve $-1 -1 -1 $-1 -8.5999999999999943 1.0750000000000024 0 0 -1 0 11 #
integer_attrib-name_attrib-gen-attrib $-1 -1 $-1 $-1 $1280 lose lose ignore keep @15 VF_ID_NUM_LOCAL 8 #
point $-1 -1 -1 $-1 -8.599999999999996 2.1299999999999999 0 #
integer_attrib-name_attrib-gen-attrib $-1 -1 $-1 $-1 $1283 lose lose ignore keep @15 VF_ID_NUM_LOCAL 11 #
point $-1 -1 -1 $-1 -8.599999999999996 0 0 #
string_attrib-name_attrib-gen-attrib $-1 -1 $-1 $-1 $1286 custom custom ignore copy @9 _VF_DATA_ @68
12:ENTITYTYPE=29:VERSION=36:Size=617:MaterialLabel=Air11:Potential=5 #
cface $2084 -1 $2085 $366 $368 0 #
face $2086 -1 -1 $-1 $1287 $2087 $215 $-1 $2088 reversed single T 30.827642113708777 29.149999999999963 0 44
34.149999999999999 61.154696222063095 F #
integer_attrib-name_attrib-gen-attrib $-1 -1 $2089 $-1 $1287 lose lose ignore keep @15 VF_ID_NUM_LOCAL 3 #
loop $-1 -1 -1 $-1 $2090 $1287 T -43.902553611942267 34.149999999999999 0 38.999999999999972 34.149999999999999
61.154696222063087 unknown #
plane-surface $-1 -1 -1 $-1 -25 34.149999999999999 0 0 1 0 0 0 1 forward_v I I I I #
string_attrib-name_attrib-gen-attrib $-1 -1 $2091 $1288 $943 custom custom ignore copy @9 _VF_DATA_ @87
12:ENTITYTYPE=49:VERSION=225:Information=External face16:FaceDirection=-111:FaceSense=1 #

```

```

integer_attr-name_attr-gen-attr $-1 -1 $2092 $-1 $1289 lose lose ignore keep @15 VF_ID_NUM_LOCAL 7 #
face $2093 -1 -1 $-1 $2094 $1323 $215 $-1 $2095 reversed single T 21.827642113708748 0 61.154696222063087
35.827642113708805 34.14999999999999 61.154696222063265 F #
loop $-1 -1 -1 $-1 $2096 $1289 T -48.902553611942238 0 0 -43.99999999999972 29.150000000000041 47.534981229876763
unknown #
cone-surface $-1 -1 -1 $-1 -276.89999999999998 29.15000000000002 0 0 -1 0 232.9000000000001 0 0 1 1 I 0 -1 232.9000000000001
forward I I I I #
coedge $-1 -1 -1 $-1 $1745 $2097 $1747 $2098 reversed $1290 $-1 #
cface_ptr-ct-attr $-1 -1 $2099 $1292 $538 $-1 $439 #
real_attr-name_attr-gen-attr $-1 -1 $2100 $1293 $689 lose lose lose keep @11 VF_FACEAREA 453.31907856177878 #
rgb_color-st-attr $-1 -1 $2101 $1294 $946 0.60000002384185791 0.60000002384185791 0.60000002384185791 #
real_attr-name_attr-gen-attr $-1 -1 $2102 $-1 $1295 lose lose lose keep @11 VF_FACEAREA 12800 #
face $2103 -1 -1 $-1 $2104 $2105 $215 $-1 $2106 reversed single T -80 0 0 -80 80 160 F #
loop $-1 -1 -1 $-1 $2107 $1295 T -80 0 160 80 80 160 unknown #
plane-surface $-1 -1 -1 $-1 0 40 160 0 0 1 1 0 0 forward_v I I I I #
coedge $-1 -1 -1 $-1 $2108 $2109 $2110 $2111 forward $1296 $-1 #
cface_ptr-ct-attr $-1 -1 $-1 $1299 $442 $-1 $2085 #
string_attr-name_attr-gen-attr $-1 -1 $2112 $1300 $542 custom custom ignore copy @9 _VF_DATA_ @68
12:ENTITYTYPE=49:VERSION=225:Information=External face11:FaceSense=1 #
coedge $-1 -1 -1 $-1 $1301 $2113 $1723 $2114 reversed $1323 $-1 #
integer_attr-name_attr-gen-attr $-1 -1 $-1 $-1 $1302 lose lose ignore keep @15 VF_ID_NUM_LOCAL 43 #
vertex $2115 -1 -1 $-1 $2114 $2116 #
straight-curve $-1 -1 -1 $-1 21.862837159370091 19.787500000000001 61.154696222063087 0 1 0 I I #
integer_attr-name_attr-gen-attr $-1 -1 $-1 $-1 $1304 lose lose ignore keep @15 VF_ID_NUM_LOCAL 42 #
straight-curve $-1 -1 -1 $-1 -38.327731093791201 0 59.130659714427686 -0.23344536385590539 0 0.97236992039767667 I I #
integer_attr-name_attr-gen-attr $-1 -1 $-1 $-1 $1306 lose lose ignore keep @15 VF_ID_NUM_LOCAL 31 #
point $-1 -1 -1 $-1 -35.543854992528225 0 47.534981229876706 #
integer_attr-name_attr-gen-attr $-1 -1 $-1 $-1 $1308 lose lose ignore keep @15 VF_ID_NUM_LOCAL 40 #
straight-curve $-1 -1 -1 $-1 -44.846720713507999 9.575000000000011 86.284205678655809 0 -1 0 I I #
coedge $-1 -1 -1 $-1 $2117 $1309 $1713 $2114 forward $1310 $-1 #
face $2118 -1 -1 $-1 $1693 $1310 $215 $-1 $2119 reversed single T -80 0 0 80 0 160 F #
integer_attr-name_attr-gen-attr $-1 -1 $-1 $-1 $1312 lose lose ignore keep @15 VF_ID_NUM_LOCAL 30 #
point $-1 -1 -1 $-1 -44.846720713507999 0 86.284205678655809 #
integer_attr-name_attr-gen-attr $-1 -1 $-1 $-1 $1316 lose lose ignore keep @15 VF_ID_NUM_LOCAL 22 #
straight-curve $-1 -1 -1 $-1 17.308734549000931 19.150000000000002 80.123898778001859 0.2334453638559052 0 -
0.97236992039767589 I I #
integer_attr-name_attr-gen-attr $-1 -1 $-1 $-1 $1317 lose lose ignore keep @15 VF_ID_NUM_LOCAL 44 #
straight-curve $-1 -1 -1 $-1 19.042094209671635 0 72.903936181926085 0.23344536385590539 0 -0.97236992039767667 I I #
coedge $-1 -1 -1 $-1 $2120 $1322 $2121 $2122 forward $1323 $-1 #
integer_attr-name_attr-gen-attr $-1 -1 $-1 $-1 $1325 lose lose ignore keep @15 VF_ID_NUM_LOCAL 26 #
point $-1 -1 -1 $-1 21.862837159370077 19.150000000000002 61.154696222063087 #
coedge $-1 -1 -1 $-1 $1337 $2121 $1327 $1735 reversed $1695 $-1 #
edge $2123 -1 -1 $-1 $1340 19.320728947052711 $1737 77.662924170913215 $1734 $2124 forward @7 unknown T -
34.90255361194221 34.14999999999999 47.534981229876706 21.827642113708748 34.14999999999999 61.154696222063087 #
integer_attr-name_attr-gen-attr $-1 -1 $-1 $-1 $1328 lose lose ignore keep @15 VF_ID_NUM_LOCAL 46 #
vertex $2125 -1 -1 $-1 $2122 $2126 #
straight-curve $-1 -1 -1 $-1 21.827642113708805 9.575000000000028 61.154696222063087 0 1 0 I I #
coedge $-1 -1 -1 $-1 $2127 $2096 $1333 $1740 reversed $1700 $-1 #
edge $2128 -1 -1 $-1 $1743 -14.575000000000019 $2129 14.575000000000022 $1739 $2130 forward @7 unknown T -
48.902553611942238 0 47.534981229876706 -48.90255361194221 29.150000000000041 47.534981229876706 #
coedge $-1 -1 -1 $-1 $1334 $2131 $2127 $2132 forward $1310 $-1 #
integer_attr-name_attr-gen-attr $-1 -1 $-1 $-1 $1335 lose lose ignore keep @15 VF_ID_NUM_LOCAL 47 #
vertex $2133 -1 -1 $-1 $1335 $2134 #
straight-curve $-1 -1 -1 $-1 -30.900638402985578 0 47.534981229876706 1 0 0 I I #
coedge $-1 -1 -1 $-1 $2135 $1702 $1336 $1746 reversed $1290 $-1 #
edge $2136 -1 -1 $-1 $2129 154.1474726223465 $1749 161.21854043421195 $1745 $2137 forward @7 unknown T -
48.902553611942238 29.150000000000041 47.534981229876706 -43.902553611942238 34.150000000000034 47.534981229876706 #
coedge $-1 -1 -1 $-1 $2138 $1337 $1702 $2098 forward $1695 $-1 #
integer_attr-name_attr-gen-attr $-1 -1 $-1 $-1 $1338 lose lose ignore keep @15 VF_ID_NUM_LOCAL 11 #
vertex $2139 -1 -1 $-1 $2098 $2140 #
straight-curve $-1 -1 -1 $-1 -41.950638402985547 34.14999999999999 47.534981229876706 1 0 0 I I #
integer_attr-name_attr-gen-attr $-1 -1 $-1 $-1 $1340 lose lose ignore keep @15 VF_ID_NUM_LOCAL 10 #
point $-1 -1 -1 $-1 -34.90255361194221 34.14999999999999 47.534981229876706 #
string_attr-name_attr-gen-attr $-1 -1 $-1 $-1 $1343 custom custom ignore copy @9 _VF_DATA_ @68
12:ENTITYTYPE=29:VERSION=36:Size=317:MaterialLabel=Air11:Potential=2 #
cface $2141 -1 $1347 $372 $450 0 #
string_attr-name_attr-gen-attr $-1 -1 $2142 $1344 $552 custom custom ignore copy @9 _VF_DATA_ @68
12:ENTITYTYPE=49:VERSION=225:Information=External face11:FaceSense=1 #
coedge $-1 -1 -1 $-1 $1346 $1345 $1765 $2143 reversed $719 $-1 #
coedge $-1 -1 -1 $-1 $1359 $1356 $1346 $1758 reversed $557 $-1 #
edge $2144 -1 -1 $-1 $2145 -20.499999999999986 $1362 19.508216120240359 $1346 $2146 forward @7 unknown T
12.523104589954876 0 61.15469622206308 21.862837159370077 0 100.0574821461542 #

```

```

string_attrib-name_attrib-gen-attr $-1 -1 $-1 $-1 $1347 custom custom ignore copy @9_VF_DATA_ @68
12:ENTITYTYPE=29:VERSION=36:Size=317:MaterialLabel=Air11:Potential=2 #
cface $2147 -1 $-1 $372 $1021 0 #
cface_ptr-ct-attr $-1 -1 $-1 $1349 $450 $-1 $1754 #
cface_ptr-ct-attr $-1 -1 $2148 $1350 $556 $-1 $717 #
real_attrib-name_attrib-gen-attr $-1 -1 $2149 $1351 $725 lose lose lose keep @11 VF_FACEAREA 2359.953462708504 #
integer_attrib-name_attrib-gen-attr $-1 -1 $2150 $1352 $993 lose lose ignore keep @15 VF_ID_NUM_LOCAL 1 #
coedge $-1 -1 -1 $-1 $1778 $1770 $1756 $2143 forward $1353 $-1 #
integer_attrib-name_attrib-gen-attr $-1 -1 $-1 $-1 $1355 lose lose ignore keep @15 VF_ID_NUM_LOCAL 16 #
straight-curve $-1 -1 -1 $-1 -38.93651012867354 19.150000000000002 46.566513955156708 -0.97236992039767578 0 -
0.23344536385590517 11 #
integer_attrib-name_attrib-gen-attr $-1 -1 $-1 $-1 $1358 lose lose ignore keep @15 VF_ID_NUM_LOCAL 13 #
straight-curve $-1 -1 -1 $-1 -38.93651012867354 -1.7763568394002505e-015 46.566513955156708 0.97236992039767578 0
0.23344536385590517 11 #
coedge $-1 -1 -1 $-1 $1765 $1379 $1359 $1771 forward $1353 $-1 #
edge $2151 -1 -1 $-1 $1382 -29.5 $2145 29.5 $1359 $2152 forward @7 unknown T -44.846720713508006 0 86.284205678655795
12.52310458995488 0 100.05748214615421 #
integer_attrib-name_attrib-gen-attr $-1 -1 $-1 $-1 $1360 lose lose ignore keep @15 VF_ID_NUM_LOCAL 11 #
straight-curve $-1 -1 -1 $-1 16.543821477061925 0 61.15469622206308 1 0 0 11 #
integer_attrib-name_attrib-gen-attr $-1 -1 $-1 $-1 $1362 lose lose ignore keep @15 VF_ID_NUM_LOCAL 11 #
point $-1 -1 -1 $-1 21.862837159370077 0 61.154696222063087 #
integer_attrib-name_attrib-gen-attr $-1 -1 $-1 $-1 $1365 lose lose ignore keep @15 VF_ID_NUM_LOCAL 12 #
point $-1 -1 -1 $-1 21.827642113708748 0 61.154696222063087 #
coedge $-1 -1 -1 $-1 $1379 $1765 $1367 $1779 forward $1353 $-1 #
edge $2153 -1 -1 $-1 $1781 -29.5 $1385 29.5 $1367 $2154 forward @7 unknown T -44.846720713508006 19.150000000000002
86.284205678655795 12.52310458995488 19.150000000000002 100.05748214615421 #
integer_attrib-name_attrib-gen-attr $-1 -1 $-1 $-1 $1368 lose lose ignore keep @15 VF_ID_NUM_LOCAL 18 #
vertex $2155 -1 -1 $-1 $2143 $2156 #
straight-curve $-1 -1 -1 $-1 17.308734549000931 19.150000000000002 80.123898778001859 0.2334453638559052 0 -
0.97236992039767589 11 #
integer_attrib-name_attrib-gen-attr $-1 -1 $-1 $-1 $1380 lose lose ignore keep @15 VF_ID_NUM_LOCAL 3 #
straight-curve $-1 -1 -1 $-1 -44.846720713507999 9.575000000000001 86.284205678655809 0 -1 0 11 #
integer_attrib-name_attrib-gen-attr $-1 -1 $-1 $-1 $1382 lose lose ignore keep @15 VF_ID_NUM_LOCAL 4 #
point $-1 -1 -1 $-1 -44.846720713507999 0 86.284205678655809 #
integer_attrib-name_attrib-gen-attr $-1 -1 $-1 $-1 $1385 lose lose ignore keep @15 VF_ID_NUM_LOCAL 3 #
point $-1 -1 -1 $-1 -44.846720713507999 19.150000000000002 86.284205678655809 #
integer_attrib-name_attrib-gen-attr $-1 -1 $2157 $1387 $1021 lose lose ignore keep @15 VF_ID_NUM_LOCAL 7 #
string_attrib-name_attrib-gen-attr $-1 -1 $2158 $1389 $40 keep keep_ignored copy @14 VF_COLOUR_DATA @43
8:NAME=1969:VERSION=210:List=Theta7:Label=0 #
string_attrib-name_attrib-gen-attr $-1 -1 $-1 $1391 $1029 custom custom ignore copy @9_VF_DATA_ @86
12:ENTITYTYPE=29:VERSION=38:Size=0.517:MaterialLabel=Air11:Potential=213:ElementType=7 #
integer_attrib-name_attrib-gen-attr $-1 -1 $2159 $-1 $1392 lose lose ignore keep @15 VF_ID_NUM_LOCAL 12 #
cell3d-cell $2160 -1 $2161 $127 $-1 1 $2162 #
cshell $-1 -1 $-1 $2163 $1392 #
cface $2164 -1 $2165 $1393 $2166 0 #
string_attrib-name_attrib-gen-attr $-1 -1 $-1 $-1 $1394 custom custom ignore copy @9_VF_DATA_ @86
12:ENTITYTYPE=29:VERSION=38:Size=0.517:MaterialLabel=Air11:Potential=213:ElementType=7 #
cface $2167 -1 $2168 $1030 $1815 0 #
face $2169 -1 -1 $-1 $1801 $2170 $221 $-1 $577 forward double in T 1.687868417735416 0.6000000000000009 0
8.599999999999996 0.8000000000000004 56.319564344979476 F #
string_attrib-name_attrib-gen-attr $-1 -1 $-1 $-1 $1396 custom custom ignore copy @9_VF_DATA_ @86
12:ENTITYTYPE=29:VERSION=38:Size=0.517:MaterialLabel=Air11:Potential=213:ElementType=7 #
cface $2171 -1 $2172 $748 $1803 1 #
face $2173 -1 -1 $-1 $1397 $2174 $221 $-1 $762 reversed double in T -14.574787690284527 0.8000000000000004
52.415246047219355 1.687868417735416 1 56.319564344979469 F #
fctd_mark-eye-attr $-1 -1 $2175 $-1 $1397 #
face $2176 -1 -1 $-1 $2177 $2178 $221 $-1 $2179 reversed double in T -14.574787690284527 1 0 8.599999999999996 1
56.319564344979476 F #
loop $2180 -1 -1 $-1 $-1 $2181 $1397 T -14.574787690284523 0.8000000000000004 0 -8.599999999999994 1
52.415246047219377 unknown #
string_attrib-name_attrib-gen-attr $-1 -1 $-1 $-1 $1399 custom custom ignore copy @9_VF_DATA_ @86
12:ENTITYTYPE=29:VERSION=38:Size=0.517:MaterialLabel=Air11:Potential=213:ElementType=7 #
cface $2182 -1 $2183 $568 $575 1 #
fmesh-eye-attr $-1 -1 $2184 $1400 $1034 #
fctd_mark-eye-attr $-1 -1 $2185 $-1 $1401 #
face $2186 -1 -1 $-1 $1405 $2187 $221 $-1 $1054 forward double in T -14.574787690284523 0.4000000000000002 0 -
8.599999999999994 0.6000000000000009 52.415246047219377 F #
loop $2188 -1 -1 $-1 $-1 $1890 $1401 T -14.574787690284527 0.3999999999999858 52.415246047219355 1.687868417735416
0.60000000000000142 56.319564344979469 unknown #
integer_attrib-name_attrib-gen-attr $-1 -1 $-1 $-1 $1402 lose lose ignore keep @15 VF_ID_NUM_LOCAL 48 #
string_attrib-name_attrib-gen-attr $-1 -1 $-1 $-1 $1404 custom custom ignore copy @9_VF_DATA_ @86
12:ENTITYTYPE=29:VERSION=38:Size=0.517:MaterialLabel=Air11:Potential=213:ElementType=7 #

```

cface \$2189 -1 \$2190 \$458 \$1052 0 #
 integer_attr-name_attr-gen-attr \$-1 -1 \$2191 \$-1 \$1405 copy keep_all ignore copy @7 VF_PAIR 8 #
 face \$2192 -1 -1 \$-1 \$752 \$2193 \$221 \$-1 \$464 reversed single T -8.599999999999996 0.6000000000000000 0
 8.599999999999999 0.8000000000000000 0 F #
 loop \$2194 -1 -1 \$-1 \$-1 \$2195 \$1405 T -14.574787690284527 0.6000000000000000 0 8.599999999999996 0.60000000000000142
 56.319564344979476 unknown #
 plane-surface \$-1 -1 \$-1 0 0.6000000000000000 -5 0 1 0 0 1 forward_v IIII #
 fmesh-eye-attr \$-1 -1 \$2196 \$1406 \$1037 #
 integer_attr-name_attr-gen-attr \$-1 -1 \$-1 \$-1 \$1407 lose lose ignore keep @15 VF_ID_NUM_LOCAL 49 #
 integer_attr-name_attr-gen-attr \$-1 -1 \$2197 \$1408 \$752 lose lose ignore keep @15 VF_ID_NUM_LOCAL 57 #
 fmesh-eye-attr \$-1 -1 \$2198 \$1409 \$1039 #
 fctd_mark-eye-attr \$-1 -1 \$2199 \$-1 \$1410 #
 face \$2200 -1 -1 \$-1 \$2201 \$2202 \$221 \$-1 \$2203 reversed double in T -14.574787690284527 0.7999999999999982 0
 8.599999999999996 0.8000000000000000 0 56.319564344979476 F #
 loop \$2204 -1 -1 \$-1 \$-1 \$2205 \$1410 T -14.574787690284523 0.6000000000000000 0 -8.599999999999943 0.8000000000000004
 52.415246047219377 unknown #
 integer_attr-name_attr-gen-attr \$-1 -1 \$-1 \$-1 \$1411 lose lose ignore keep @15 VF_ID_NUM_LOCAL 42 #
 coedge \$-1 -1 -1 \$-1 \$2206 \$2207 \$2208 \$2209 reversed \$1411 \$-1 #
 coedge \$-1 -1 -1 \$-1 \$2210 \$1413 \$1872 \$1875 forward \$1040 \$-1 #
 coedge \$-1 -1 -1 \$-1 \$1413 \$2210 \$2211 \$1904 reversed \$1040 \$-1 #
 coedge \$-1 -1 -1 \$-1 \$1466 \$1862 \$1446 \$1830 forward \$1431 \$-1 #
 edge \$2212 -1 -1 \$-1 \$1449 0 \$1478 0.24423969373118543 \$1446 \$2213 forward @7 unknown T 1.687868417735416
 0.3999999999999991 0 8.599999999999996 0.4000000000000000 0 56.319564344979476 #
 string_attr-name_attr-gen-attr \$-1 -1 \$-1 \$-1 \$1415 custom custom ignore copy @9 _VF_DATA_ @86
 12:ENTITYTYPE=29:VERSION=38:Size=0.517:MaterialLabel=Air11:Potential=213:ElementType=7 #
 cface \$2214 -1 \$-1 \$380 \$1463 0 #
 integer_attr-name_attr-gen-attr \$-1 -1 \$2215 \$1416 \$1043 copy keep_all ignore copy @13 VF_PAIR_GROUP 0 #
 fctd_mark-eye-attr \$-1 -1 \$2216 \$-1 \$1417 #
 face \$2217 -1 -1 \$-1 \$2218 \$2219 \$221 \$-1 \$2220 reversed double in T -34.902553611942224 19.150000000000002
 47.534981229876699 21.827642113708805 34.149999999999999 61.154696222063265 F #
 loop \$2221 -1 -1 \$-1 \$-1 \$2222 \$1417 T -14.574787690284527 1.999999999999998 52.415246047219355 1.687868417735416
 2.149999999999999 56.319564344979469 unknown #
 integer_attr-name_attr-gen-attr \$-1 -1 \$-1 \$-1 \$1418 lose lose ignore keep @15 VF_ID_NUM_LOCAL 2 #
 coedge \$-1 -1 -1 \$-1 \$1883 \$1852 \$1480 \$1913 reversed \$1418 \$-1 #
 integer_attr-name_attr-gen-attr \$-1 -1 \$2223 \$1420 \$755 lose lose ignore keep @15 VF_ID_NUM_LOCAL 82 #
 fmesh-eye-attr \$-1 -1 \$2224 \$1421 \$1045 #
 fctd_mark-eye-attr \$-1 -1 \$2225 \$-1 \$1422 #
 face \$2226 -1 -1 \$-1 \$2227 \$2228 \$221 \$-1 \$2229 reversed double in T -14.574787690284527 1.799999999999998 0
 8.599999999999996 1.8000000000000000 0 56.319564344979476 F #
 loop \$2230 -1 -1 \$-1 \$-1 \$2231 \$1422 T 1.687868417735416 1.599999999999996 0 8.599999999999996 1.799999999999998
 56.319564344979476 unknown #
 integer_attr-name_attr-gen-attr \$-1 -1 \$-1 \$-1 \$1423 lose lose ignore keep @15 VF_ID_NUM_LOCAL 17 #
 real_attr-name_attr-gen-attr \$-1 -1 \$2232 \$1425 \$311 lose lose keep @11 VF_FACEAREA 935.14253265242542 #
 cface_ptr-ct-attr \$-1 -1 \$2233 \$1426 \$382 \$-1 \$1033 #
 real_attr-name_attr-gen-attr \$-1 -1 \$2234 \$1427 \$462 lose lose lose keep @11 VF_FACEAREA 11.376684933998627 #
 string_attr-name_attr-gen-attr \$-1 -1 \$2235 \$1428 \$575 custom custom ignore copy @9 _VF_DATA_ @68
 12:ENTITYTYPE=49:VERSION=225:Information=Internal face11:FaceSense=1 #
 integer_attr-name_attr-gen-attr \$-1 -1 \$2236 \$1429 \$760 lose lose ignore keep @15 VF_ID_NUM_LOCAL 27 #
 integer_attr-name_attr-gen-attr \$-1 -1 \$2237 \$1430 \$1052 copy keep_all ignore copy @13 VF_PAIR_GROUP 0 #
 integer_attr-name_attr-gen-attr \$-1 -1 \$-1 \$-1 \$1431 lose lose ignore keep @15 VF_ID_NUM_LOCAL 50 #
 coedge \$-1 -1 -1 \$-1 \$1838 \$2238 \$2239 \$1853 forward \$1418 \$-1 #
 edge \$2240 -1 -1 \$-1 \$1859 0 \$1855 0.24423969373118543 \$1852 \$2241 forward @7 unknown T 1.687868417735416 0 0
 8.599999999999996 0 56.319564344979476 #
 plist-eye-attr \$-1 -1 \$2242 \$-1 \$1435 #
 vertex \$2243 -1 -1 \$-1 \$2244 \$2245 #
 coedge \$-1 -1 -1 \$-1 \$1436 \$2246 \$2247 \$2248 reversed \$1857 \$-1 #
 loop \$2249 -1 -1 \$-1 \$-1 \$2250 \$2251 T 8.599999999999925 0 0 30 19.150000000000013 1.4260540990261583e-014 unknown #
 plist-eye-attr \$-1 -1 \$2252 \$-1 \$1437 #
 vertex \$2253 -1 -1 \$-1 \$1437 \$2254 #
 coedge \$-1 -1 -1 \$-1 \$2255 \$1439 \$2256 \$2257 reversed \$1407 \$-1 #
 coedge \$-1 -1 -1 \$-1 \$1439 \$2255 \$1827 \$1875 reversed \$1407 \$-1 #
 coedge \$-1 -1 -1 \$-1 \$1829 \$1889 \$1059 \$1440 forward \$1431 \$-1 #
 integer_attr-name_attr-gen-attr \$-1 -1 \$2258 \$-1 \$1440 copy keep_all ignore copy @7 VF_PAIR 39 #
 straight-curve \$-1 -1 -1 \$-1 0 0.3999999999999991 0 1 0 0 II #
 coedge \$-1 -1 -1 \$-1 \$1895 \$2256 \$1889 \$1866 reversed \$2187 \$-1 #
 edge \$2259 -1 -1 \$-1 \$1472 -0.226992043072836 \$1444 0 \$1441 \$2260 forward @7 unknown T -14.574787690284523
 0.4000000000000000 0 -8.599999999999943 0.4000000000000000 0 52.415246047219377 #
 coedge \$-1 -1 -1 \$-1 \$1442 \$2261 \$1860 \$2257 forward \$1868 \$-1 #
 loop \$2262 -1 -1 \$-1 \$-1 \$2263 \$2264 T -29.99999999999972 0 0 -8.599999999999943 19.150000000000006
 1.4260540990261583e-014 unknown #
 integer_attr-name_attr-gen-attr \$-1 -1 \$-1 \$1443 \$1061 lose lose ignore keep @15 VF_ID_NUM_LOCAL 53 #
 integer_attr-name_attr-gen-attr \$-1 -1 \$2265 \$-1 \$1444 copy keep_all ignore copy @7 VF_PAIR 39 #

```

point $-1 -1 -1 $-1 -8.5999999999999996 0.40000000000000002 0 #
coedge $-1 -1 -1 $-1 $2266 $1447 $1861 $1875 forward $1857 $-1 #
integer_attr-name_attr-gen-attr $-1 -1 -1 $1448 $1063 lose lose ignore keep @15 VF_ID_NUM_LOCAL 65 #
integer_attr-name_attr-gen-attr $-1 -1 $2267 $-1 $1449 copy keep_all ignore copy @7 VF_PAIR 38 #
edge $2268 -1 -1 $-1 $1449 -0.67500000000005611 $2269 -0.47500000000005604 $1861 $1450 forward @7 unknown T
8.59999999999999943 0.40000000000000002 0 8.5999999999999996 0.60000000000000009 0 #
point $-1 -1 -1 $-1 8.5999999999999996 0.40000000000000002 0 #
coedge $-1 -1 -1 $-1 $1452 $1451 $2238 $2270 reversed $1423 $-1 #
ptlist-eye-attr $-1 -1 $2271 $1453 $768 #
integer_attr-name_attr-gen-attr $-1 -1 $2272 $1454 $1066 copy keep_all ignore copy @13 VF_PAIR_GROUP 2 #
ptlist-eye-attr $-1 -1 $2273 $-1 $1455 #
vertex $2274 -1 -1 $-1 $2270 $2275 #
integer_attr-name_attr-gen-attr $-1 -1 $2276 $1457 $1067 copy keep_all ignore copy @13 VF_PAIR_GROUP 3 #
coedge $-1 -1 -1 $-1 $2238 $1838 $2277 $1884 forward $1418 $-1 #
edge $2278 -1 -1 $-1 $1484 -0.2269992043072836 $1881 0 $1883 $2279 forward @7 unknown T -14.574787690284523 0 0 -
8.59999999999999943 0 52.415246047219377 #
coedge $-1 -1 -1 $-1 $2280 $1460 $2281 $2282 reversed $1868 $-1 #
fctd_mark-eye-attr $-1 -1 $2283 $-1 $1463 #
ptlist-eye-attr $-1 -1 $2284 $1464 $770 #
ptlist-eye-attr $-1 -1 $2285 $1465 $771 #
coedge $-1 -1 -1 $-1 $1862 $1466 $1441 $1866 forward $1431 $-1 #
coedge $-1 -1 -1 $-1 $2286 $2211 $1077 $1467 reversed $1810 $-1 #
integer_attr-name_attr-gen-attr $-1 -1 $2287 $-1 $1467 copy keep_all ignore copy @7 VF_PAIR 38 #
straight-curve $-1 -1 -1 $-1 -42.438146628710079 0.39999999999999858 45.725845409478296 0.97236992039767645 0
0.23344536385590534 I I #
coedge $-1 -1 -1 $-1 $2288 $1468 $2289 $2290 reversed $1470 $-1 #
coedge $-1 -1 -1 $-1 $1469 $2291 $2292 $2293 forward $1470 $-1 #
coedge $-1 -1 -1 $-1 $2294 $1865 $2286 $1896 reversed $2187 $-1 #
edge $2295 -1 -1 $-1 $2296 0.46500000000000119 $1472 0.66500000000000126 $1469 $1473 forward @7 unknown T -
14.574787690284523 0.40000000000000002 52.415246047219355 -14.574787690284523 0.60000000000000009 52.41524604721937
#
integer_attr-name_attr-gen-attr $-1 -1 $-1 $1470 lose lose ignore keep @15 VF_ID_NUM_LOCAL 55 #
coedge $-1 -1 -1 $-1 $2297 $2298 $2299 $2300 forward $1470 $-1 #
face $2301 -1 -1 $-1 $2302 $1470 $221 $-1 $762 reversed double in T -34.902553611942217 -1.7763568394002505e-015
47.534981229876706 -14.574787690284438 19.1500000000000205 52.415246047219384 F #
integer_attr-name_attr-gen-attr $-1 -1 $-1 $1471 $1079 lose lose ignore keep @15 VF_ID_NUM_LOCAL 107 #
integer_attr-name_attr-gen-attr $-1 -1 $2303 $-1 $1472 copy keep_all ignore copy @7 VF_PAIR 37 #
point $-1 -1 -1 $-1 -14.574787690284523 0.40000000000000002 52.41524604721937 #
coedge $-1 -1 -1 $-1 $2304 $1474 $2305 $2306 forward $1476 $-1 #
edge $2307 -1 -1 $-1 $1478 -0.6599999999999987 $2308 -0.45999999999999863 $1474 $1479 forward @7 unknown T
1.687868417735416 0.40000000000000002 56.319564344979455 1.687868417735416 0.60000000000000009 56.319564344979469 #
coedge $-1 -1 -1 $-1 $1475 $2309 $2310 $2244 reversed $1476 $-1 #
integer_attr-name_attr-gen-attr $-1 -1 $-1 $1476 lose lose ignore keep @15 VF_ID_NUM_LOCAL 84 #
coedge $-1 -1 -1 $-1 $2311 $2312 $2313 $2314 forward $1476 $-1 #
face $2315 -1 -1 $-1 $2316 $1476 $221 $-1 $762 reversed double in T 1.6878684177353804 -1.7763568394002505e-015
56.319564344979447 21.827642113708748 19.150000000000134 61.154696222063265 F #
integer_attr-name_attr-gen-attr $-1 -1 $-1 $1477 $1081 lose lose ignore keep @15 VF_ID_NUM_LOCAL 109 #
integer_attr-name_attr-gen-attr $-1 -1 $2317 $-1 $1478 copy keep_all ignore copy @7 VF_PAIR 36 #
point $-1 -1 -1 $-1 1.687868417735416 0.40000000000000002 56.319564344979469 #
coedge $-1 -1 -1 $-1 $2310 $2289 $1838 $1913 forward $2318 $-1 #
edge $2319 -1 -1 $-1 $1484 25.053965499493902 $1855 41.77872813033391 $1912 $2320 forward @7 unknown T -
14.574787690284538 -1.7763568394002505e-015 52.415246047219355 1.687868417735416 0 56.319564344979469 #
string_attr-name_attr-gen-attr $-1 -1 $2321 $1481 $583 custom custom ignore copy @9 _VF_DATA_ @63
12:ENTITYTYPE=89:VERSION=234:Information=paired edge [layering] #
string_attr-name_attr-gen-attr $-1 -1 $2322 $1482 $776 custom custom ignore copy @9 _VF_DATA_ @66
13:ENTITYTYPE=169:VERSION=236:Information=paired vertex [layering] #
integer_attr-name_attr-gen-attr $-1 -1 $-1 $1483 $1086 lose lose ignore keep @15 VF_ID_NUM_LOCAL 162 #
integer_attr-name_attr-gen-attr $-1 -1 $2323 $-1 $1484 copy keep_all ignore copy @7 VF_PAIR 2 #
point $-1 -1 -1 $-1 -14.574787690284523 0 52.41524604721937 #
string_attr-name_attr-gen-attr $-1 -1 $2324 $1485 $777 custom custom ignore copy @9 _VF_DATA_ @66
13:ENTITYTYPE=169:VERSION=236:Information=paired vertex [layering] #
integer_attr-name_attr-gen-attr $-1 -1 $2325 $1486 $41 copy keep_all ignore copy @13 VF_TR_FORWARD 0 #
integer_attr-name_attr-gen-attr $-1 -1 $2326 $1487 $45 copy keep_all ignore copy @13 VF_TR_FORWARD 0 #
integer_attr-name_attr-gen-attr $-1 -1 $2327 $1488 $49 copy keep_all ignore copy @13 VF_TR_FORWARD 0 #
integer_attr-name_attr-gen-attr $-1 -1 $2328 $1489 $53 copy keep_all ignore copy @13 VF_TR_FORWARD 0 #
integer_attr-name_attr-gen-attr $-1 -1 $2329 $1490 $57 copy keep_all ignore copy @13 VF_TR_FORWARD 0 #
integer_attr-name_attr-gen-attr $-1 -1 $2330 $1491 $61 copy keep_all ignore copy @13 VF_TR_FORWARD 0 #
integer_attr-name_attr-gen-attr $-1 -1 $2331 $1492 $65 copy keep_all ignore copy @13 VF_TR_FORWARD 0 #
integer_attr-name_attr-gen-attr $-1 -1 $2332 $1493 $69 copy keep_all ignore copy @13 VF_TR_FORWARD 0 #
integer_attr-name_attr-gen-attr $-1 -1 $2333 $1494 $73 copy keep_all ignore copy @13 VF_TR_FORWARD 0 #
integer_attr-name_attr-gen-attr $-1 -1 $2334 $1495 $77 copy keep_all ignore copy @13 VF_TR_FORWARD 0 #

```

```

string_attrib-name_attrib-gen-attrb $-1 -1 $2335 $1496 $0 keep keep_kept ignore copy @14 VF_COLOUR_DATA @66
8:NAME=2249:VERSION=29>List=CLCS31:Label=Local Coordinate System15 #
string_attrib-name_attrib-gen-attrb $-1 -1 $-1 $-1 $1498 custom custom ignore copy @9 _VF_DATA_ @68
12:ENTITYTYPE=29:VERSION=36:Size=117:MaterialLabel=Air11:Potential=2 #
cface $2336 -1 $-1 $346 $1143 0 #
string_attrib-name_attrib-gen-attrb $-1 -1 $-1 $-1 $1500 custom custom ignore copy @9 _VF_DATA_ @68
12:ENTITYTYPE=29:VERSION=36:Size=117:MaterialLabel=Air11:Potential=2 #
cface $2337 -1 $2338 $411 $603 0 #
string_attrib-name_attrib-gen-attrb $-1 -1 $2339 $1501 $1105 custom custom ignore copy @9 _VF_DATA_ @68
12:ENTITYTYPE=49:VERSION=225:Information=External face11:FaceSense=0 #
real_attrib-name_attrib-gen-attrb $-1 -1 $2340 $1504 $794 lose lose lose keep @11 VF_FACEAREA 1257.019226116465 #
coedge $-1 -1 -1 $-1 $1513 $1505 $1510 $1942 forward $1107 $-1 #
coedge $-1 -1 -1 $-1 $1505 $1513 $1951 $2341 forward $1107 $-1 #
rgb_color-st-attrb $-1 -1 $2342 $1506 $599 0.60000002384185791 0.60000002384185791 0.60000002384185791 #
cface_ptr-ct-attrb $-1 -1 $-1 $1508 $496 $-1 $2338 #
string_attrib-name_attrib-gen-attrb $-1 -1 $2343 $1509 $603 custom custom ignore copy @9 _VF_DATA_ @68
12:ENTITYTYPE=49:VERSION=225:Information=External face11:FaceSense=0 #
edge $2344 -1 -1 $-1 $1535 -0.24423969373118531 $1516 0 $1937 $2345 forward @7 unknown T 1.687868417735416 0
8.5999999999999996 0 56.319564344979455 #
edge $2346 -1 -1 $-1 $1945 -9.5750000000000028 $1522 9.5750000000000028 $1512 $2347 forward @7 unknown T 30 0 0 30
19.1500000000000006 0 #
integer_attrib-name_attrib-gen-attrb $-1 -1 $-1 $-1 $1514 lose lose ignore keep @15 VF_ID_NUM_LOCAL 24 #
vertex $2348 -1 -1 $-1 $1514 $2349 #
straight-curve $-1 -1 -1 $-1 0 0 0 1 0 0 I I #
integer_attrib-name_attrib-gen-attrb $-1 -1 $-1 $-1 $1516 lose lose ignore keep @15 VF_ID_NUM_LOCAL 17 #
point $-1 -1 -1 $-1 8.5999999999999996 0 0 #
integer_attrib-name_attrib-gen-attrb $-1 -1 $-1 $-1 $1518 lose lose ignore keep @15 VF_ID_NUM_LOCAL 14 #
straight-curve $-1 -1 -1 $-1 17.824999999999999 19.1500000000000006 0 -1 0 0 I I #
coedge $-1 -1 -1 $-1 $1520 $1519 $1938 $2341 reversed $1502 $-1 #
integer_attrib-name_attrib-gen-attrb $-1 -1 $-1 $-1 $1522 lose lose ignore keep @15 VF_ID_NUM_LOCAL 4 #
point $-1 -1 -1 $-1 30 19.1500000000000006 0 #
integer_attrib-name_attrib-gen-attrb $-1 -1 $-1 $-1 $1524 lose lose ignore keep @15 VF_ID_NUM_LOCAL 29 #
vertex $2350 -1 -1 $-1 $1533 $2351 #
straight-curve $-1 -1 -1 $-1 21.827642113708748 9.5750000000000028 61.154696222063265 0 -1 0 I I #
integer_attrib-name_attrib-gen-attrb $-1 -1 $-1 $-1 $1533 lose lose ignore keep @15 VF_ID_NUM_LOCAL 16 #
straight-curve $-1 -1 -1 $-1 -42.438146628710072 -1.7763568394002505e-015 45.725845409478282 -0.97236992039767578 0 -
0.23344536385590517 I I #
integer_attrib-name_attrib-gen-attrb $-1 -1 $-1 $-1 $1535 lose lose ignore keep @15 VF_ID_NUM_LOCAL 7 #
point $-1 -1 -1 $-1 1.687868417735416 0 56.319564344979455 #
cface_ptr-ct-attrb $-1 -1 $-1 $1538 $503 $-1 $491 #
string_attrib-name_attrib-gen-attrb $-1 -1 $2352 $1539 $615 custom custom ignore copy @9 _VF_DATA_ @68
12:ENTITYTYPE=49:VERSION=225:Information=External face11:FaceSense=0 #
string_attrib-name_attrib-gen-attrb $-1 -1 $2353 $1540 $822 custom custom ignore copy @9 _VF_DATA_ @68
12:ENTITYTYPE=49:VERSION=225:Information=External face11:FaceSense=0 #
string_attrib-name_attrib-gen-attrb $-1 -1 $2354 $1541 $1143 custom custom ignore copy @9 _VF_DATA_ @89
12:ENTITYTYPE=49:VERSION=225:Information=External face18:BoundaryLabel=tang11:FaceSense=0 #
coedge $-1 -1 -1 $-1 $1543 $1554 $1548 $1970 reversed $1542 $-1 #
integer_attrib-name_attrib-gen-attrb $-1 -1 $-1 $-1 $1544 lose lose ignore keep @15 VF_ID_NUM_LOCAL 23 #
straight-curve $-1 -1 -1 $-1 0 0 0 1 0 0 I I #
integer_attrib-name_attrib-gen-attrb $-1 -1 $-1 $-1 $1546 lose lose ignore keep @15 VF_ID_NUM_LOCAL 8 #
point $-1 -1 -1 $-1 -29.999999999999997 0 0 #
edge $2355 -1 -1 $-1 $1550 -2 $1565 0.14999999999993463 $1965 $2356 forward @7 unknown T -8.6000000000000014 0 0 -
8.5999999999999943 2.1499999999999346 0 #
integer_attrib-name_attrib-gen-attrb $-1 -1 $-1 $-1 $1550 lose lose ignore keep @15 VF_ID_NUM_LOCAL 14 #
point $-1 -1 -1 $-1 -8.5999999999999996 0 0 #
integer_attrib-name_attrib-gen-attrb $-1 -1 $-1 $-1 $1558 lose lose ignore keep @15 VF_ID_NUM_LOCAL 5 #
straight-curve $-1 -1 -1 $-1 -24.817704918032803 71.075245901639349 0 -0.22903933372554727 0.97341716833357594 0 I I #
integer_attrib-name_attrib-gen-attrb $-1 -1 $-1 $-1 $1561 lose lose ignore keep @15 VF_ID_NUM_LOCAL 30 #
straight-curve $-1 -1 -1 $-1 -29.999999999999972 9.5750000000000028 0 0 -1 0 I I #
integer_attrib-name_attrib-gen-attrb $-1 -1 $-1 $-1 $1565 lose lose ignore keep @15 VF_ID_NUM_LOCAL 11 #
point $-1 -1 -1 $-1 -8.6000000000000014 2.1499999999999346 0 #
string_attrib-name_attrib-gen-attrb $-1 -1 $-1 $-1 $1568 custom custom ignore copy @9 _VF_DATA_ @89
12:ENTITYTYPE=29:VERSION=36:Size=319:MaterialLabel=ferro11:Potential=516:VolumeLabel=pack #
cface $2357 -1 $2358 $354 $2359 0 #
face $2360 -1 -1 $-1 $-1 $2361 $209 $-1 $2362 forward single T 1.687868417735416 2.1199999999999992 0 8.5999999999999996
2.15000000000000909 56.319564344979455 F #
integer_attrib-name_attrib-gen-attrb $-1 -1 $2363 $-1 $1569 lose lose ignore keep @15 VF_ID_NUM_LOCAL 22 #
face $2364 -1 -1 $-1 $633 $2365 $209 $-1 $2366 forward single T 21.827642113708748 0 0 30 19.1500000000000006
61.154696222063087 F #
loop $-1 -1 -1 $-1 $-1 $2367 $1569 T 1.687868417735416 2.1499999999999992 0 12.599999999999994 19.1500000000000134
57.225229136680923 unknown #

```

```

cone-surface $-1 -1 -1 $-1 -224.30235294117648 2.1400000000000006 0 0.22903933372554727 0.97341716833357594 0 0 0
232.90000000000001 0.97341716833357605 I I 0 1 232.90000000000001 forward I I I I #
string_attrib-name_attrib-gen-attrib $-1 -1 $2368 $1570 $1172 custom custom ignore copy @9_VF_DATA_@87
12:ENTITYTYPE=49:VERSION=225:Information=External face16:FaceDirection=-111:FaceSense=0 #
rgb_color-st-attrib $-1 -1 $2369 $-1 $1571 0.54901963472366333 0.90196079015731812 0.019607843831181526 #
face $2370 -1 -1 $-1 $2371 $2027 $209 $-1 $2372 forward single T 30.827642113708777 29.149999999999963 0 44
34.149999999999999 61.154696222063095 F #
plane-surface $-1 -1 -1 $-1 44.463821056854357 30 61.154696222063087 0 0 1 1 0 0 forward_v I I I I #
coedge $-1 -1 -1 $-1 $2373 $2374 $1616 $2036 forward $1572 $-1 #
string_attrib-name_attrib-gen-attrib $-1 -1 $2375 $1574 $850 custom custom ignore copy @9_VF_DATA_@68
12:ENTITYTYPE=49:VERSION=225:Information=External face11:FaceSense=0 #
real_attrib-name_attrib-gen-attrib $-1 -1 $2376 $1575 $1174 lose lose lose keep @11_VF_FACEAREA 337.31611597088823 #
integer_attrib-name_attrib-gen-attrib $-1 -1 $2377 $-1 $1576 lose lose ignore keep @15_VF_ID_NUM_LOCAL 19 #
loop $-1 -1 -1 $-1 $2378 $1576 T 21.827642113708748 0 0 44 0 61.154696222063087 unknown #
plane-surface $-1 -1 -1 $-1 50 0 -50 0 1 0 0 0 1 forward_v I I I I #
cface_ptr-ct-attrib $-1 -1 $2379 $1578 $633 $-1 $511 #
string_attrib-name_attrib-gen-attrib $-1 -1 $-1 $-1 $1581 custom custom ignore copy @9_VF_DATA_@89
12:ENTITYTYPE=29:VERSION=36:Size=319:MaterialLabel=ferro11:Potential=516:VolumeLabel=pack #
cface $2380 -1 $2381 $354 $2371 0 #
string_attrib-name_attrib-gen-attrib $-1 -1 $-1 $-1 $1583 custom custom ignore copy @9_VF_DATA_@89
12:ENTITYTYPE=29:VERSION=36:Size=319:MaterialLabel=ferro11:Potential=516:VolumeLabel=pack #
cface_ptr-ct-attrib $-1 -1 $-1 $1585 $515 $-1 $2382 #
cface_ptr-ct-attrib $-1 -1 $2383 $1586 $638 $-1 $2384 #
real_attrib-name_attrib-gen-attrib $-1 -1 $2385 $1587 $859 lose lose lose keep @11_VF_FACEAREA 861.67138876011632 #
coedge $-1 -1 -1 $-1 $1589 $1588 $2386 $2387 forward $860 $-1 #
edge $2388 -1 -1 $-1 $2389 -1.5707963267948966 $1594 -1.3478067179854971 $1592 $2390 reversed @7 unknown T -
18.366448438384964 19.150000000000006 1.4260540990261583e-014 -12.599999999999994 19.150000000000006
51.50494883996263 #
coedge $-1 -1 -1 $-1 $2391 $2011 $1589 $2006 forward $2392 $-1 #
edge $2393 -1 -1 $-1 $2008 1.3437971224876133 $2394 1.5707963267948966 $2005 $2395 forward @7 unknown T -
14.574787690284523 2.1499999999999996 0 -8.599999999999994 3 2.1500000000000328 52.415246047219355 #
integer_attrib-name_attrib-gen-attrib $-1 -1 $-1 $-1 $1590 lose lose ignore keep @15_VF_ID_NUM_LOCAL 20 #
vertex $2396 -1 -1 $-1 $2006 $2397 #
ellipse-curve $-1 -1 -1 $-1 -232.90000000000001 -34.399999999999999 0 -0.23344536385590536 0 0.97236992039767656
945.93845603790157 -4239.7673870500294 227.09973069174026 0.052188592540996323 I I #
coedge $-1 -1 -1 $-1 $2398 $1591 $2399 $2400 reversed $639 $-1 #
coedge $-1 -1 -1 $-1 $2005 $2401 $1591 $2012 forward $2392 $-1 #
edge $2402 -1 -1 $-1 $2403 -0.010000000000013998 $2008 0.01000000000001755 $2011 $2404 forward @7 unknown T -
14.574787690284523 2.1300000000000008 52.415246047219355 -14.574787690284523 2.1500000000000323 52.415246047219355 #
integer_attrib-name_attrib-gen-attrib $-1 -1 $-1 $-1 $1594 lose lose ignore keep @15_VF_ID_NUM_LOCAL 18 #
point $-1 -1 -1 $-1 -18.366448438384964 19.150000000000006 51.504948839962623 #
coedge $-1 -1 -1 $-1 $2042 $1596 $1598 $2019 reversed $1622 $-1 #
coedge $-1 -1 -1 $-1 $1596 $2386 $1602 $2022 reversed $1622 $-1 #
integer_attrib-name_attrib-gen-attrib $-1 -1 $-1 $-1 $1597 lose lose ignore keep @15_VF_ID_NUM_LOCAL 7 #
straight-curve $-1 -1 -1 $-1 -29.999999999999972 0 0 0 -1 0 I I #
edge $2405 -1 -1 $-1 $2051 -18.999999999999972 $1600 -4.9999999999999716 $1598 $2406 forward @7 unknown T -
43.999999999999972 0 0 -29.999999999999972 0 #
integer_attrib-name_attrib-gen-attrib $-1 -1 $-1 $-1 $1600 lose lose ignore keep @15_VF_ID_NUM_LOCAL 7 #
point $-1 -1 -1 $-1 -29.999999999999972 0 #
edge $2407 -1 -1 $-1 $1604 -12.174999999999972 $2389 5.225000000000005 $1602 $2408 reversed @7 unknown T -
29.999999999999972 19.150000000000006 0 -12.599999999999994 19.150000000000006 1.4260540990261583e-014 #
integer_attrib-name_attrib-gen-attrib $-1 -1 $-1 $-1 $1604 lose lose ignore keep @15_VF_ID_NUM_LOCAL 6 #
point $-1 -1 -1 $-1 -29.999999999999972 19.150000000000006 0 #
coedge $-1 -1 -1 $-1 $2409 $1608 $1611 $2032 forward $2027 $-1 #
coedge $-1 -1 -1 $-1 $1608 $2409 $1620 $2041 forward $2027 $-1 #
loop $-1 -1 -1 $-1 $2025 $1988 T 30.827642113708777 29.149999999999963 0 44 34.149999999999999 61.154696222063095
unknown #
integer_attrib-name_attrib-gen-attrib $-1 -1 $-1 $-1 $1609 lose lose ignore keep @15_VF_ID_NUM_LOCAL 35 #
ellipse-curve $-1 -1 -1 $-1 -193.89999999999998 34.149999999999999 0 0 1 0 0 0 232.90000000000001 0.9999999999999978 I I #
coedge $-1 -1 -1 $-1 $2410 $1610 $2411 $2412 reversed $1612 $-1 #
coedge $-1 -1 -1 $-1 $1611 $2410 $2413 $2414 reversed $1612 $-1 #
edge $2415 -1 -1 $-1 $1614 151.83537184680159 $2416 158.90643965866707 $2025 $2417 forward @7 unknown T
30.827642113708777 29.149999999999997 61.154696222063087 35.827642113708791 34.149999999999999 61.154696222063095 #
integer_attrib-name_attrib-gen-attrib $-1 -1 $-1 $-1 $1614 lose lose ignore keep @15_VF_ID_NUM_LOCAL 2 #
point $-1 -1 -1 $-1 30.827642113708777 34.149999999999999 61.154696222063087 #
coedge $-1 -1 -1 $-1 $1616 $2418 $2367 $2419 reversed $639 $-1 #
edge $2420 -1 -1 $-1 $2038 -48.175806334853732 $2421 -31.343314909546763 $1990 $2422 forward @7 unknown T
5.4602337663884803 19.150000000000006 57.225229136680909 21.827642113708805 19.150000000000006 61.154696222063102 #
integer_attrib-name_attrib-gen-attrib $-1 -1 $-1 $-1 $1617 lose lose ignore keep @15_VF_ID_NUM_LOCAL 37 #
vertex $2423 -1 -1 $-1 $2036 $2424 #
straight-curve $-1 -1 -1 $-1 21.827642113708748 30 61.154696222063087 0 1 0 I I #
coedge $-1 -1 -1 $-1 $2425 $1620 $2426 $2427 reversed $1622 $-1 #

```

```

edge $2428 -1 -1 $-1 $2429 -164.68516933834695 $1624 -157.61410152648145 $2026 $2430 reversed @7 unknown T
38.999999999999972 29.149999999999963 0 44 34.149999999999999 1.4260540990261583e-014 #
coedge $-1 -1 -1 $-1 $1621 $2015 $1631 $2049 reversed $1622 $-1 #
coedge $-1 -1 -1 $-1 $2431 $2432 $2433 $2434 forward $1622 $-1 #
face $2435 -1 -1 $-1 $2436 $1622 $209 $-1 $2437 reversed single T -44 0 0 44 34.150000000000002 1.4260540990261583e-014 F #
integer_attrib-name_attrib-gen-attrib $-1 -1 $-1 $1624 lose lose ignore keep @15 VF_ID_NUM_LOCAL 21 #
point $-1 -1 -1 $-1 38.999999999999972 34.149999999999999 1.4260540990261583e-014 #
integer_attrib-name_attrib-gen-attrib $-1 -1 $-1 $1626 lose lose ignore keep @15 VF_ID_NUM_LOCAL 11 #
straight-curve $-1 -1 -1 $-1 -155.44999999999999 -82.299999999999955 0 0.70710678118654757 0.70710678118654757 0 I I #
edge $2438 -1 -1 $-1 $1636 -2.1316282072803006e-014 $2051 29.150000000000002 $1631 $2439 reversed @7 unknown T -44 0 0 -
43.999999999999972 29.150000000000004 1.4260540990261583e-014 #
integer_attrib-name_attrib-gen-attrib $-1 -1 $-1 $1632 lose lose ignore keep @15 VF_ID_NUM_LOCAL 49 #
vertex $2440 -1 -1 $-1 $2049 $2441 #
ellipse-curve $-1 -1 -1 $-1 -276.89999999999998 0 0 0 -1 0 232.90000000000001 0 0 1 I I #
integer_attrib-name_attrib-gen-attrib $-1 -1 $-1 $1636 lose lose ignore keep @15 VF_ID_NUM_LOCAL 11 #
point $-1 -1 -1 $-1 -44 29.150000000000004 1.4260540990261583e-014 #
real_attrib-name_attrib-gen-attrib $-1 -1 $2442 $1639 $1226 lose lose keep @11 VF_FACEAREA 935.14253265242542 #
string_attrib-name_attrib-gen-attrib $-1 -1 $2443 $1641 $656 custom custom ignore copy @9 _VF_DATA_ @68
12:ENTITYTYPE=49:VERSION=225:Information=External face11:FaceSense=0 #
cface_ptr-ct-attrib $-1 -1 $-1 $1642 $524 $-1 $431 #
integer_attrib-name_attrib-gen-attrib $-1 -1 $2444 $1643 $658 lose lose ignore keep @15 VF_ID_NUM_LOCAL 6 #
string_attrib-name_attrib-gen-attrib $-1 -1 $2445 $1644 $894 custom custom ignore copy @9 _VF_DATA_ @68
12:ENTITYTYPE=49:VERSION=225:Information=External face11:FaceSense=0 #
edge $2446 -1 -1 $-1 $1678 -1.0750000000000561 $2062 1.044999999999944 $1645 $2447 forward @7 unknown T
8.599999999999943 0 0 8.599999999999996 2.120000000000001 0 #
integer_attrib-name_attrib-gen-attrib $-1 -1 $-1 $1648 lose lose ignore keep @15 VF_ID_NUM_LOCAL 5 #
vertex $2448 -1 -1 $-1 $2060 $2449 #
straight-curve $-1 -1 -1 $-1 0 2.120000000000001 0 -1 0 0 I I #
string_attrib-name_attrib-gen-attrib $-1 -1 $-1 $1651 custom custom ignore copy @9 _VF_DATA_ @86
12:ENTITYTYPE=29:VERSION=38:Size=0.517:MaterialLabel=Air11:Potential=213:ElementType=7 #
cface $2450 -1 $898 $360 $528 0 #
rgb_color-st-attrib $-1 -1 $-1 $1653 $528 0.60000002384185791 0.60000002384185791 0.60000002384185791 #
cface_ptr-ct-attrib $-1 -1 $2451 $1654 $665 $-1 $655 #
integer_attrib-name_attrib-gen-attrib $-1 -1 $-1 $1655 lose lose ignore keep @15 VF_ID_NUM_LOCAL 18 #
ellipse-curve $-1 -1 -1 $-1 -224.30000000000001 2.120000000000001 0 0 -1 0 232.90000000000001 0 0 1 I I #
integer_attrib-name_attrib-gen-attrib $-1 -1 $-1 $1658 lose lose ignore keep @15 VF_ID_NUM_LOCAL 2 #
straight-curve $-1 -1 -1 $-1 3 2.134999999999998 0 0 1 0 I I #
integer_attrib-name_attrib-gen-attrib $-1 -1 $-1 $1660 lose lose ignore keep @15 VF_ID_NUM_LOCAL 2 #
point $-1 -1 -1 $-1 3 2.120000000000001 0 #
integer_attrib-name_attrib-gen-attrib $-1 -1 $-1 $1669 lose lose ignore keep @15 VF_ID_NUM_LOCAL 17 #
straight-curve $-1 -1 -1 $-1 -2.800000000000114 2.139999999999997 0 0 -1 0 I I #
integer_attrib-name_attrib-gen-attrib $-1 -1 $-1 $1676 lose lose ignore keep @15 VF_ID_NUM_LOCAL 23 #
straight-curve $-1 -1 -1 $-1 0 0 1 0 0 I I #
integer_attrib-name_attrib-gen-attrib $-1 -1 $-1 $1678 lose lose ignore keep @15 VF_ID_NUM_LOCAL 14 #
point $-1 -1 -1 $-1 8.599999999999996 0 0 #
integer_attrib-name_attrib-gen-attrib $-1 -1 $-1 $1681 lose lose ignore keep @15 VF_ID_NUM_LOCAL 7 #
straight-curve $-1 -1 -1 $-1 -2.849999999999996 2.129999999999999 0 -1 0 0 I I #
integer_attrib-name_attrib-gen-attrib $-1 -1 $-1 $1683 lose lose ignore keep @15 VF_ID_NUM_LOCAL 9 #
point $-1 -1 -1 $-1 -2.799999999999994 2.129999999999999 0 #
string_attrib-name_attrib-gen-attrib $-1 -1 $-1 $1692 custom custom ignore copy @9 _VF_DATA_ @68
12:ENTITYTYPE=29:VERSION=36:Size=617:MaterialLabel=Air11:Potential=5 #
cface $2452 -1 $2453 $366 $442 0 #
integer_attrib-name_attrib-gen-attrib $-1 -1 $2454 $-1 $1693 lose lose ignore keep @15 VF_ID_NUM_LOCAL 11 #
loop $-1 -1 -1 $-1 $2455 $1693 T 30.827642113708777 29.149999999999963 0 44 34.149999999999999 61.154696222063095
unknown #
cone-surface $-1 -1 -1 $-1 -188.90000000000001 29.150000000000002 0 -0.70710678118654746 0.70710678118654746 0 0 0
232.90000000000001 0.70710678118654746 I I 0 1 232.90000000000001 forward I I I I #
string_attrib-name_attrib-gen-attrib $-1 -1 $2456 $1694 $1287 custom custom ignore copy @9 _VF_DATA_ @68
12:ENTITYTYPE=49:VERSION=225:Information=External face11:FaceSense=1 #
coedge $-1 -1 -1 $-1 $2121 $2138 $2457 $2458 reversed $1695 $-1 #
real_attrib-name_attrib-gen-attrib $-1 -1 $2459 $1697 $943 lose lose lose keep @11 VF_FACEAREA 337.31611597088983 #
string_attrib-name_attrib-gen-attrib $-1 -1 $2460 $1698 $1289 custom custom ignore copy @9 _VF_DATA_ @87
12:ENTITYTYPE=49:VERSION=225:Information=External face16:FaceDirection=-111:FaceSense=1 #
integer_attrib-name_attrib-gen-attrib $-1 -1 $2461 $-1 $1699 lose lose ignore keep @15 VF_ID_NUM_LOCAL 18 #
face $2462 -1 -1 $-1 $2463 $215 $-1 $2464 reversed single T 35.827642113708777 0 0 44 29.150000000000002
61.154696222063087 F #
plane-surface $-1 -1 -1 $-1 44.463821056854357 30 61.154696222063087 0 0 1 1 0 0 forward_v I I I I #
coedge $-1 -1 -1 $-1 $1739 $2110 $2135 $2465 forward $1700 $-1 #
coedge $-1 -1 -1 $-1 $1702 $2135 $2109 $2466 reversed $1290 $-1 #
edge $2467 -1 -1 $-1 $1749 -0.20554466681645578 $2468 0 $1702 $2469 forward @7 unknown T -43.902553611942267
34.149999999999999 0 -38.999999999999972 34.149999999999999 47.534981229876706 #
rgb_color-st-attrib $-1 -1 $-1 $1703 $538 0.60000002384185791 0.60000002384185791 0.60000002384185791 #

```



```

cface_ptr-ct-attrb $-1 -1 $2470 $1704 $689 $-1 $2453 #
string_attrb-name_attrb-gen-attrb $-1 -1 $2471 $1705 $946 custom custom ignore copy @9_VF_DATA_ @89
12:ENTITYTYPE=49:VERSION=225:Information=External face18:BoundaryLabel=tang11:FaceSense=1 #
rgb_color-st-attrb $-1 -1 $2472 $1706 $1295 0.60000002384185791 0.60000002384185791 0.60000002384185791 #
real_attrb-name_attrb-gen-attrb $-1 -1 $2473 $-1 $1707 lose lose lose keep @11 VF_FACEAREA 12800 #
face $2474 -1 -1 $-1 $2475 $2476 $215 $-1 $2477 reversed single T -80 80 0 80 80 160 F #
loop $-1 -1 -1 $-1 $-1 $2478 $1707 T -80 0 0 -80 80 160 unknown #
plane-surface $-1 -1 -1 $-1 -80 40 80 1 0 0 0 0 -1 forward_v I I I I #
coedge $-1 -1 -1 $-1 $2479 $2480 $2481 $2482 forward $1708 $-1 #
coedge $-1 -1 -1 $-1 $2483 $1710 $2131 $2484 forward $1296 $-1 #
coedge $-1 -1 -1 $-1 $1710 $2485 $2097 $2466 forward $1296 $-1 #
coedge $-1 -1 -1 $-1 $2096 $2127 $1710 $2111 reversed $1700 $-1 #
edge $2486 -1 -1 $-1 $2487 -14.57500000000001 $2488 14.57500000000001 $1710 $2489 forward @7 unknown T -44 0 0 -
43.99999999999972 29.15000000000002 0 #
cface_ptr-ct-attrb $-1 -1 $-1 $1712 $542 $-1 $2490 #
coedge $-1 -1 -1 $-1 $1713 $2120 $2491 $2492 forward $1323 $-1 #
edge $2493 -1 -1 $-1 $1715 1.0809266309429297 $2494 15.045731585281658 $1723 $2495 forward @7 unknown T
21.862837159370077 0 61.154696222063087 35.827642113708805 0 61.154696222063095 #
integer_attrb-name_attrb-gen-attrb $-1 -1 $-1 $1715 lose lose ignore keep @15 VF_ID_NUM_LOCAL 32 #
point $-1 -1 -1 $-1 21.862837159370077 0 61.154696222063087 #
coedge $-1 -1 -1 $-1 $2496 $1723 $2497 $2498 forward $1310 $-1 #
integer_attrb-name_attrb-gen-attrb $-1 -1 $2499 $-1 $1724 lose lose ignore keep @15 VF_ID_NUM_LOCAL 17 #
plane-surface $-1 -1 -1 $-1 -2.9000000000000625 0 59.99999999999986 0 1 0 0 0 0.999999999999978 forward_v I I I I #
coedge $-1 -1 -1 $-1 $2113 $1731 $2500 $2501 forward $1323 $-1 #
coedge $-1 -1 -1 $-1 $1734 $2090 $1731 $2122 reversed $1695 $-1 #
edge $2502 -1 -1 $-1 $1737 12.09573158528157 $2503 21.095731585281598 $2121 $2504 forward @7 unknown T
21.827642113708748 34.14999999999999 61.154696222063087 30.827642113708777 34.14999999999999 61.154696222063087 #
integer_attrb-name_attrb-gen-attrb $-1 -1 $-1 $1735 lose lose ignore keep @15 VF_ID_NUM_LOCAL 8 #
straight-curve $-1 -1 -1 $-1 -53.689449280212941 34.14999999999999 43.024646630870663 0.97236992039767578 0
0.23344536385590517 I I #
integer_attrb-name_attrb-gen-attrb $-1 -1 $-1 $1737 lose lose ignore keep @15 VF_ID_NUM_LOCAL 9 #
point $-1 -1 -1 $-1 21.827642113708748 34.14999999999999 61.154696222063087 #
coedge $-1 -1 -1 $-1 $2110 $1739 $1741 $2132 reversed $1700 $-1 #
integer_attrb-name_attrb-gen-attrb $-1 -1 $-1 $1740 lose lose ignore keep @15 VF_ID_NUM_LOCAL 16 #
vertex $2505 -1 -1 $-1 $1740 $2506 #
straight-curve $-1 -1 -1 $-1 -48.90255361194221 14.575000000000019 47.534981229876706 0 1 0 I I #
coedge $-1 -1 -1 $-1 $1741 $2507 $2108 $2484 reversed $1310 $-1 #
edge $2508 -1 -1 $-1 $2488 0 $1743 0.20554466681645578 $1741 $2509 forward @7 unknown T -48.90255361194221 0 0 -
43.99999999999972 0 47.534981229876706 #
integer_attrb-name_attrb-gen-attrb $-1 -1 $-1 $1743 lose lose ignore keep @15 VF_ID_NUM_LOCAL 19 #
point $-1 -1 -1 $-1 -48.90255361194221 0 47.534981229876706 #
coedge $-1 -1 -1 $-1 $2097 $1745 $2096 $2465 reversed $1290 $-1 #
integer_attrb-name_attrb-gen-attrb $-1 -1 $-1 $1746 lose lose ignore keep @15 VF_ID_NUM_LOCAL 14 #
straight-curve $-1 -1 -1 $-1 -157.90127680597112 -79.84872319402885 47.534981229876706 0.70710678118654757
0.70710678118654757 0 I I #
coedge $-1 -1 -1 $-1 $2090 $1747 $2485 $2510 reversed $1695 $-1 #
integer_attrb-name_attrb-gen-attrb $-1 -1 $-1 $1749 lose lose ignore keep @15 VF_ID_NUM_LOCAL 11 #
point $-1 -1 -1 $-1 -43.902553611942267 34.14999999999999 47.534981229876706 #
string_attrb-name_attrb-gen-attrb $-1 -1 $-1 $1754 custom custom ignore copy @9_VF_DATA_ @68
12:ENTITYTYPE=29:VERSION=36:Size=317:MaterialLabel=Air11:Potential=2 #
cface_ptr-ct-attrb $-1 -1 $-1 $1755 $552 $-1 $447 #
edge $2511 -1 -1 $-1 $2145 -9.575000000000011 $1781 9.575000000000011 $1756 $2512 forward @7 unknown T
12.523104589954876 0 100.0574821461542 12.523104589954876 19.150000000000002 100.0574821461542 #
integer_attrb-name_attrb-gen-attrb $-1 -1 $-1 $1758 lose lose ignore keep @15 VF_ID_NUM_LOCAL 14 #
vertex $2513 -1 -1 $-1 $2143 $2514 #
straight-curve $-1 -1 -1 $-1 17.308734549000931 0 80.123898778001859 0.2334453638559052 0 -0.97236992039767589 I I #
string_attrb-name_attrb-gen-attrb $-1 -1 $-1 $1760 custom custom ignore copy @9_VF_DATA_ @68
12:ENTITYTYPE=29:VERSION=36:Size=317:MaterialLabel=Air11:Potential=2 #
rgb_color-st-attrb $-1 -1 $-1 $1762 $556 0.60000002384185791 0.60000002384185791 0.60000002384185791 #
string_attrb-name_attrb-gen-attrb $-1 -1 $2515 $1763 $725 custom custom ignore copy @9_VF_DATA_ @68
12:ENTITYTYPE=49:VERSION=225:Information=External face11:FaceSense=1 #
string_attrb-name_attrb-gen-attrb $-1 -1 $2516 $1764 $993 custom custom ignore copy @9_VF_DATA_ @68
12:ENTITYTYPE=49:VERSION=225:Information=External face11:FaceSense=0 #
integer_attrb-name_attrb-gen-attrb $-1 -1 $-1 $1771 lose lose ignore keep @15 VF_ID_NUM_LOCAL 4 #
straight-curve $-1 -1 -1 $-1 -16.161808061776561 0 93.170843912405005 0.97236992039767589 0 0.2334453638559052 I I #
integer_attrb-name_attrb-gen-attrb $-1 -1 $-1 $1779 lose lose ignore keep @15 VF_ID_NUM_LOCAL 2 #
straight-curve $-1 -1 -1 $-1 -16.161808061776561 19.150000000000002 93.170843912405005 -0.97236992039767589 0 -
0.2334453638559052 I I #
integer_attrb-name_attrb-gen-attrb $-1 -1 $-1 $1781 lose lose ignore keep @15 VF_ID_NUM_LOCAL 2 #
point $-1 -1 -1 $-1 12.523104589954876 19.150000000000002 100.0574821461542 #
real_attrb-name_attrb-gen-attrb $-1 -1 $2517 $1789 $1021 lose lose lose keep @11 VF_FACEAREA 763.13307582636833 #

```

```

string_attrib-name_attrib-gen-attrb $-1 -1 $2518 $1790 $40 keep keep_kept ignore copy @14 VF_COLOUR_DATA @43
8:NAME=1879:VERSION=29>List=Size9:Label=0.5 #
string_attrib-name_attrib-gen-attrb $-1 -1 $-1 $1792 $1392 custom custom ignore copy @9 _VF_DATA_ @86
12:ENTITYTYPE=29:VERSION=38:Size=0.517:MaterialLabel=Air11:Potential=213:ElementType=7 #
integer_attrib-name_attrib-gen-attrb $-1 -1 $2519 $-1 $1793 lose lose ignore keep @15 VF_ID_NUM_LOCAL 13 #
cell3d-cell $2520 -1 $2521 $127 $-1 1 $2522 #
cshell $-1 -1 $-1 $2523 $1793 #
cface $2524 -1 $2525 $1794 $2526 0 #
string_attrib-name_attrib-gen-attrb $-1 -1 $-1 $-1 $1795 custom custom ignore copy @9 _VF_DATA_ @86
12:ENTITYTYPE=29:VERSION=38:Size=0.517:MaterialLabel=Air11:Potential=213:ElementType=7 #
cface $2527 -1 $2528 $1393 $2529 1 #
face $2530 -1 -1 $-1 $2531 $2532 $221 $-1 $1054 forward double in T -14.574787690284523 1.2 0 -8.599999999999943
1.399999999999999 52.415246047219377 F #
string_attrib-name_attrib-gen-attrb $-1 -1 $-1 $-1 $1797 custom custom ignore copy @9 _VF_DATA_ @86
12:ENTITYTYPE=29:VERSION=38:Size=0.517:MaterialLabel=Air11:Potential=213:ElementType=7 #
cface $2533 -1 $2534 $1030 $1823 1 #
fctd_mark-eye-attrb $-1 -1 $2535 $-1 $1798 #
loop $2536 -1 -1 $-1 $-1 $2537 $1798 T 1.687868417735416 0.6000000000000000 0 8.599999999999996 0.8000000000000004
56.319564344979476 unknown #
string_attrib-name_attrib-gen-attrb $-1 -1 $-1 $-1 $1800 custom custom ignore copy @9 _VF_DATA_ @86
12:ENTITYTYPE=29:VERSION=38:Size=0.517:MaterialLabel=Air11:Potential=213:ElementType=7 #
cface $2538 -1 $2539 $748 $2201 0 #
fctd_mark-eye-attrb $-1 -1 $2540 $-1 $1801 #
loop $2541 -1 -1 $-1 $-1 $2542 $1801 T -14.574787690284527 0.8000000000000004 52.415246047219355 1.687868417735416 1
56.319564344979469 unknown #
fmesh-eye-attrb $-1 -1 $2543 $1802 $1397 #
integer_attrib-name_attrib-gen-attrb $-1 -1 $2544 $-1 $1803 copy keep_all ignore copy @7 VF_PAIR 6 #
face $2545 -1 -1 $-1 $2546 $2547 $221 $-1 $464 reversed single T -8.599999999999996 1 0 8.599999999999996
1.200000000000000 0 F #
loop $2548 -1 -1 $-1 $-1 $2549 $1803 T -14.574787690284527 1 0 8.599999999999996 1 56.319564344979476 unknown #
plane-surface $-1 -1 -1 $-1 0 1 -5 0 1 0 0 1 forward_v I I I I #
integer_attrib-name_attrib-gen-attrb $-1 -1 $-1 $-1 $1804 lose lose ignore keep @15 VF_ID_NUM_LOCAL 36 #
coedge $-1 -1 -1 $-1 $2550 $2551 $2552 $2553 reversed $1804 $-1 #
string_attrib-name_attrib-gen-attrb $-1 -1 $-1 $-1 $1806 custom custom ignore copy @9 _VF_DATA_ @86
12:ENTITYTYPE=29:VERSION=38:Size=0.517:MaterialLabel=Air11:Potential=213:ElementType=7 #
cface $2554 -1 $2555 $568 $311 0 #
integer_attrib-name_attrib-gen-attrb $-1 -1 $2556 $1807 $1034 lose lose ignore keep @15 VF_ID_NUM_LOCAL 52 #
fmesh-eye-attrb $-1 -1 $2557 $1808 $1401 #
fctd_mark-eye-attrb $-1 -1 $2558 $-1 $1809 #
loop $2559 -1 -1 $-1 $-1 $1865 $1809 T -14.574787690284523 0.4000000000000002 0 -8.599999999999943 0.6000000000000000
52.415246047219377 unknown #
integer_attrib-name_attrib-gen-attrb $-1 -1 $-1 $-1 $1810 lose lose ignore keep @15 VF_ID_NUM_LOCAL 47 #
string_attrib-name_attrib-gen-attrb $-1 -1 $-1 $-1 $1813 custom custom ignore copy @9 _VF_DATA_ @86
12:ENTITYTYPE=29:VERSION=38:Size=0.517:MaterialLabel=Air11:Potential=213:ElementType=7 #
cface $2560 -1 $-1 $458 $1809 0 #
integer_attrib-name_attrib-gen-attrb $-1 -1 $2561 $1814 $1405 copy keep_all ignore copy @13 VF_PAIR_GROUP 0 #
fctd_mark-eye-attrb $-1 -1 $2562 $-1 $1815 #
loop $2563 -1 -1 $-1 $-1 $2564 $1815 T -8.599999999999996 0.6000000000000000 0 8.599999999999996 0.8000000000000004
0 unknown #
integer_attrib-name_attrib-gen-attrb $-1 -1 $-1 $-1 $1816 lose lose ignore keep @15 VF_ID_NUM_LOCAL 45 #
coedge $-1 -1 -1 $-1 $2565 $2566 $1826 $2209 reversed $1816 $-1 #
integer_attrib-name_attrib-gen-attrb $-1 -1 $2567 $1818 $1037 lose lose ignore keep @15 VF_ID_NUM_LOCAL 51 #
string_attrib-name_attrib-gen-attrb $-1 -1 $2568 $1820 $752 custom custom ignore copy @9 _VF_DATA_ @68
12:ENTITYTYPE=49:VERSION=225:Information=Internal face11:FaceSense=0 #
integer_attrib-name_attrib-gen-attrb $-1 -1 $2569 $1821 $1039 lose lose ignore keep @15 VF_ID_NUM_LOCAL 58 #
fmesh-eye-attrb $-1 -1 $2570 $1822 $1410 #
integer_attrib-name_attrib-gen-attrb $-1 -1 $2571 $-1 $1823 copy keep_all ignore copy @7 VF_PAIR 7 #
face $2572 -1 -1 $-1 $1798 $2573 $221 $-1 $464 reversed single T -8.599999999999996 0.7999999999999993 0
8.599999999999996 1 0 F #
loop $2574 -1 -1 $-1 $-1 $2575 $1823 T -14.574787690284527 0.7999999999999982 0 8.599999999999996 0.80000000000000071
56.319564344979476 unknown #
plane-surface $-1 -1 -1 $-1 0 0.8000000000000000 -5 0 1 0 0 1 forward_v I I I I #
integer_attrib-name_attrib-gen-attrb $-1 -1 $-1 $-1 $1824 lose lose ignore keep @15 VF_ID_NUM_LOCAL 41 #
coedge $-1 -1 -1 $-1 $2292 $2576 $2565 $2577 reversed $1824 $-1 #
coedge $-1 -1 -1 $-1 $2578 $1826 $1894 $2293 reversed $1411 $-1 #
coedge $-1 -1 -1 $-1 $1826 $2578 $1903 $2306 reversed $1411 $-1 #
coedge $-1 -1 -1 $-1 $2211 $2286 $2195 $2209 forward $1810 $-1 #
edge $2579 -1 -1 $-1 $2296 28.655101678824138 $2308 45.37986430966415 $2208 $2580 forward @7 unknown T -
14.574787690284527 0.6000000000000000 52.415246047219362 1.687868417735416 0.600000000000000142 56.319564344979469
#
coedge $-1 -1 -1 $-1 $1828 $1827 $2537 $2581 forward $1040 $-1 #
coedge $-1 -1 -1 $-1 $1890 $2208 $1474 $1904 reversed $1810 $-1 #

```

```

integer_attr-name_attr-gen-attr $-1 -1 $2582 $-1 $1830 copy keep_all ignore copy @7 VF_PAIR 36 #
ellipse-curve $-1 -1 -1 $-1 -224.30000000000001 0.3999999999999999 0 0 -1 0 232.90000000000001 0 0 1 11 #
string_attr-name_attr-gen-attr $-1 -1 $-1 $-1 $1832 custom custom ignore copy @9 _VF_DATA_ @86
12:ENTITYTYPE=29:VERSION=38:Size=0.517:MaterialLabel=Air11:Potential=213:ElementType=7 #
fctd_mark-eye-attr $-1 -1 $2583 $1833 $1043 #
fmesh-eye-attr $-1 -1 $2584 $1834 $1417 #
fctd_mark-eye-attr $-1 -1 $2585 $-1 $1835 #
face $2586 -1 -1 $-1 $2587 $2588 $221 $-1 $2589 reversed double in T -48.902553611942238 0 47.534981229876706 -
34.90255361194221 34.150000000000034 47.534981229876706 F #
loop $2590 -1 -1 $-1 $2591 $1835 T -34.902553611942224 19.150000000000002 47.534981229876699 21.827642113708805
34.149999999999999 61.154696222063265 unknown #
plane-surface $-1 -1 -1 $-1 -71.049026749806728 30 38.856980813815447 -0.23344536385590536 0 0.97236992039767656
0.97236992039767656 0 0.23344536385590536 forward_v 1111 #
integer_attr-name_attr-gen-attr $-1 -1 $-1 $-1 $1836 lose lose ignore keep @15 VF_ID_NUM_LOCAL 1 #
coedge $-1 -1 -1 $-1 $2592 $2593 $2594 $2595 reversed $1836 $-1 #
string_attr-name_attr-gen-attr $-1 -1 $2596 $1839 $755 custom custom ignore copy @9 _VF_DATA_ @68
12:ENTITYTYPE=49:VERSION=225:Information=Internal face11:FaceSense=1 #
integer_attr-name_attr-gen-attr $-1 -1 $2597 $1840 $1045 lose lose ignore keep @15 VF_ID_NUM_LOCAL 83 #
fmesh-eye-attr $-1 -1 $2598 $1841 $1422 #
integer_attr-name_attr-gen-attr $-1 -1 $2599 $-1 $1842 copy keep_all ignore copy @7 VF_PAIR 2 #
face $2600 -1 -1 $-1 $2601 $2602 $221 $-1 $577 forward double in T 1.687868417735416 1.3999999999999999 0
8.599999999999999 1.5999999999999999 56.319564344979476 F #
loop $2603 -1 -1 $-1 $2604 $1842 T -14.574787690284527 1.7999999999999998 0 8.599999999999999 1.8000000000000007
56.319564344979476 unknown #
plane-surface $-1 -1 -1 $-1 0 1.7999999999999998 -5 0 1 0 0 1 forward_v 1111 #
integer_attr-name_attr-gen-attr $-1 -1 $-1 $-1 $1843 lose lose ignore keep @15 VF_ID_NUM_LOCAL 16 #
coedge $-1 -1 -1 $-1 $2605 $2606 $2607 $2608 reversed $1843 $-1 #
cface_ptr-ct-attr $-1 -1 $2609 $1845 $311 $1415 $2183 #
rgb_color-st-attr $-1 -1 $-1 $1846 $382 0.60000002384185791 0.60000002384185791 0.60000002384185791 #
cface_ptr-ct-attr $-1 -1 $2610 $1847 $462 $2611 $459 #
real_attr-name_attr-gen-attr $-1 -1 $2612 $1848 $575 lose lose lose keep @11 VF_FACEAREA 3.3449525261679902 #
string_attr-name_attr-gen-attr $-1 -1 $2613 $1849 $760 custom custom ignore copy @9 _VF_DATA_ @68
12:ENTITYTYPE=49:VERSION=225:Information=Internal face11:FaceSense=0 #
fctd_mark-eye-attr $-1 -1 $2614 $1850 $1052 #
coedge $-1 -1 -1 $-1 $1852 $1883 $1877 $2270 forward $1418 $-1 #
coedge $-1 -1 -1 $-1 $2247 $2615 $1434 $1853 reversed $2616 $-1 #
integer_attr-name_attr-gen-attr $-1 -1 $2617 $-1 $1853 copy keep_all ignore copy @7 VF_PAIR 0 #
ellipse-curve $-1 -1 -1 $-1 -224.30000000000001 0 0 0 -1 0 232.90000000000001 0 0 1 11 #
integer_attr-name_attr-gen-attr $-1 -1 $-1 $1854 $1435 lose lose ignore keep @15 VF_ID_NUM_LOCAL 66 #
integer_attr-name_attr-gen-attr $-1 -1 $2618 $-1 $1855 copy keep_all ignore copy @7 VF_PAIR 0 #
edge $2619 -1 -1 $-1 $1855 41.77872813033391 $2620 62.490777396251794 $2310 $2320 forward @7 unknown T
1.6878684177353804 -1.7763568394002505e-015 56.319564344979447 21.827642113708748 0 61.154696222063087 #
point $-1 -1 -1 $-1 1.687868417735416 0 56.319564344979469 #
coedge $-1 -1 -1 $-1 $1856 $2621 $2622 $2623 forward $1857 $-1 #
coedge $-1 -1 -1 $-1 $2624 $2239 $1856 $2248 forward $2616 $-1 #
edge $2625 -1 -1 $-1 $1859 8.5999999999999996 $2626 30 $2247 $2627 forward @7 unknown T 8.599999999999999 0 0 30 0 0 #
integer_attr-name_attr-gen-attr $-1 -1 $-1 $-1 $1857 lose lose ignore keep @15 VF_ID_NUM_LOCAL 97 #
coedge $-1 -1 -1 $-1 $2628 $2629 $2630 $2631 forward $1857 $-1 #
face $2632 -1 -1 $-1 $2633 $1857 $221 $-1 $2634 reversed single T 8.599999999999925 0 0 30 19.150000000000013
1.4260540990261583e-014 F #
integer_attr-name_attr-gen-attr $-1 -1 $-1 $1858 $1437 lose lose ignore keep @15 VF_ID_NUM_LOCAL 106 #
integer_attr-name_attr-gen-attr $-1 -1 $2635 $-1 $1859 copy keep_all ignore copy @7 VF_PAIR 4 #
point $-1 -1 -1 $-1 8.599999999999999 0 0 #
coedge $-1 -1 -1 $-1 $1861 $1860 $2564 $2636 forward $1407 $-1 #
coedge $-1 -1 -1 $-1 $1865 $2294 $1867 $2257 forward $2187 $-1 #
edge $2637 -1 -1 $-1 $2638 0.47500000000000231 $1444 0.67500000000000238 $1860 $1445 forward @7 unknown T -
8.599999999999999 0.4000000000000002 0 -8.599999999999943 0.6000000000000009 0 #
integer_attr-name_attr-gen-attr $-1 -1 $2639 $1863 $1440 copy keep_all ignore copy @13 VF_PAIR_GROUP 2 #
integer_attr-name_attr-gen-attr $-1 -1 $2640 $-1 $1866 copy keep_all ignore copy @7 VF_PAIR 37 #
ellipse-curve $-1 -1 -1 $-1 -241.5 0.4000000000000002 0 0 1 0 232.90000000000001 0 0 1 11 #
coedge $-1 -1 -1 $-1 $1867 $2641 $2642 $2643 forward $1868 $-1 #
integer_attr-name_attr-gen-attr $-1 -1 $-1 $-1 $1868 lose lose ignore keep @15 VF_ID_NUM_LOCAL 98 #
coedge $-1 -1 -1 $-1 $2644 $2645 $2646 $2647 forward $1868 $-1 #
face $2648 -1 -1 $-1 $2251 $1868 $221 $-1 $2634 reversed single T -29.99999999999972 0 0 -8.599999999999943
19.150000000000006 1.4260540990261583e-014 F #
integer_attr-name_attr-gen-attr $-1 -1 $2649 $1870 $1444 copy keep_all ignore copy @13 VF_PAIR_GROUP 2 #
coedge $-1 -1 -1 $-1 $2650 $1872 $2651 $2652 forward $1857 $-1 #
integer_attr-name_attr-gen-attr $-1 -1 $2653 $1874 $1449 copy keep_all ignore copy @13 VF_PAIR_GROUP 3 #
plist-eye-attr $-1 -1 $2654 $-1 $1875 #
vertex $2655 -1 -1 $-1 $2652 $2656 #
edge $2657 -1 -1 $-1 $1881 -8.599999999999943 $1859 8.599999999999943 $2238 $2658 forward @7 unknown T -
8.599999999999999 0 0 8.599999999999999 0 0 #

```

```

string_attrib-name_attrib-gen-attrib $-1 -1 $2659 $1878 $768 custom custom ignore copy @9_VF_DATA_ @63
12:ENTITYTYPE=89:VERSION=234:Information=paired edge [layering] #
string_attrib-name_attrib-gen-attrib $-1 -1 $2660 $1879 $1066 custom custom ignore copy @9_VF_DATA_ @66
13:ENTITYTYPE=169:VERSION=236:Information=paired vertex [layering] #
integer_attrib-name_attrib-gen-attrib $-1 -1 $-1 $1880 $1455 lose lose ignore keep @15_VF_ID_NUM_LOCAL 160 #
integer_attrib-name_attrib-gen-attrib $-1 -1 $2661 $-1 $1881 copy keep_all ignore copy @7_VF_PAIR 6 #
point $-1 -1 -1 $-1 -8.5999999999999996 0 0 #
string_attrib-name_attrib-gen-attrib $-1 -1 $2662 $1882 $1067 custom custom ignore copy @9_VF_DATA_ @66
13:ENTITYTYPE=169:VERSION=236:Information=paired vertex [layering] #
coedge $-1 -1 -1 $-1 $2663 $2281 $1459 $1884 reversed $2664 $-1 #
integer_attrib-name_attrib-gen-attrib $-1 -1 $2665 $-1 $1884 copy keep_all ignore copy @7_VF_PAIR 4 #
ellipse-curve $-1 -1 -1 $-1 -241.5 0 0 0 1 0 232.90000000000001 0 0 1 1 1 #
coedge $-1 -1 -1 $-1 $2666 $1885 $2667 $2668 forward $1868 $-1 #
coedge $-1 -1 -1 $-1 $2277 $2669 $1885 $2282 forward $2664 $-1 #
edge $2670 -1 -1 $-1 $2671 -29.999999999999972 $1881 -8.599999999999996 $2281 $2672 forward @7 unknown T -
29.999999999999972 0 0 -8.599999999999996 0 0 #
fmesh-eye-attrib $-1 -1 $2673 $1886 $1463 #
string_attrib-name_attrib-gen-attrib $-1 -1 $2674 $1887 $770 custom custom ignore copy @9_VF_DATA_ @63
12:ENTITYTYPE=89:VERSION=234:Information=paired edge [layering] #
string_attrib-name_attrib-gen-attrib $-1 -1 $2675 $1888 $771 custom custom ignore copy @9_VF_DATA_ @63
12:ENTITYTYPE=89:VERSION=234:Information=paired edge [layering] #
coedge $-1 -1 -1 $-1 $2208 $1890 $1469 $1896 reversed $1810 $-1 #
integer_attrib-name_attrib-gen-attrib $-1 -1 $2676 $1891 $1467 copy keep_all ignore copy @13_VF_PAIR_GROUP 0 #
coedge $-1 -1 -1 $-1 $2677 $1893 $2678 $2679 forward $1470 $-1 #
coedge $-1 -1 -1 $-1 $1912 $2680 $2663 $2290 forward $2318 $-1 #
edge $2681 -1 -1 $-1 $2682 4.1485821723913201 $1484 25.053965499493902 $2289 $2320 forward @7 unknown T -
34.902553611942174 -1.7763568394002505e-015 47.534981229876706 -14.574787690284523 0 52.41524604721937 #
coedge $-1 -1 -1 $-1 $1894 $2683 $2550 $2684 forward $1470 $-1 #
coedge $-1 -1 -1 $-1 $2685 $2205 $2293 reversed $1824 $-1 #
edge $2686 -1 -1 $-1 $2687 0.26500000000000123 $2296 0.46500000000000119 $1894 $1473 forward @7 unknown T -
14.574787690284523 0.6000000000000009 52.415246047219355 -14.574787690284523 0.8000000000000004 52.41524604721937
#
coedge $-1 -1 -1 $-1 $2256 $1895 $2205 $2577 forward $2187 $-1 #
pplist-eye-attrib $-1 -1 $2688 $-1 $1896 #
vertex $2689 -1 -1 $-1 $1896 $2690 #
coedge $-1 -1 -1 $-1 $2691 $1898 $2692 $2693 forward $1470 $-1 #
coedge $-1 -1 -1 $-1 $1898 $2677 $2694 $2695 forward $1470 $-1 #
coedge $-1 -1 -1 $-1 $2696 $2697 $2698 $2300 reversed $2699 $-1 #
edge $2700 -1 -1 $-1 $2701 -0.01000000000001755 $2702 0.010000000000014442 $1898 $2703 forward @7 unknown T -
14.574787690284523 2.1300000000000003 52.415246047219355 -14.574787690284523 2.1500000000000323 52.41524604721937 #
ftcd_mark-eye-attrib $-1 -1 $2704 $-1 $1899 #
face $2705 -1 -1 $-1 $2706 $2707 $221 $-1 $2708 reversed double in T -44.846720713508006 19.150000000000002
47.534981229876706 21.862837159370077 19.150000000000006 100.05748214615421 F #
integer_attrib-name_attrib-gen-attrib $-1 -1 $2709 $1901 $1472 copy keep_all ignore copy @13_VF_PAIR_GROUP 1 #
coedge $-1 -1 -1 $-1 $2710 $1903 $2711 $2712 forward $1476 $-1 #
coedge $-1 -1 -1 $-1 $2537 $2713 $2207 $2306 reversed $2170 $-1 #
edge $2714 -1 -1 $-1 $2308 -0.45999999999999863 $2715 -0.25999999999999868 $1903 $1479 forward @7 unknown T
1.687868417735416 0.6000000000000009 56.319564344979455 1.687868417735416 0.8000000000000004 56.319564344979469 #
pplist-eye-attrib $-1 -1 $2716 $-1 $1904 #
vertex $2717 -1 -1 $-1 $2306 $2718 #
coedge $-1 -1 -1 $-1 $1905 $2719 $2720 $2721 forward $1476 $-1 #
coedge $-1 -1 -1 $-1 $2722 $1912 $2615 $2244 forward $2318 $-1 #
coedge $-1 -1 -1 $-1 $2719 $1907 $2723 $2724 forward $1476 $-1 #
coedge $-1 -1 -1 $-1 $1907 $2725 $2726 $2727 forward $1476 $-1 #
coedge $-1 -1 -1 $-1 $2728 $2729 $2730 $2314 reversed $2731 $-1 #
edge $2732 -1 -1 $-1 $2733 -0.01500000000004631 $2734 0.014999999999913971 $1907 $2735 forward @7 unknown T
1.687868417735416 2.119999999999997 56.319564344979455 1.687868417735416 2.149999999999599 56.319564344979469 #
ftcd_mark-eye-attrib $-1 -1 $2736 $-1 $1908 #
face $2737 -1 -1 $-1 $2738 $2739 $221 $-1 $762 reversed double in T -18.366448438385049 2.119999999999997
51.504948839962601 5.4602337663884839 19.150000000000205 57.225229136680909 F #
integer_attrib-name_attrib-gen-attrib $-1 -1 $2740 $1910 $1478 copy keep_all ignore copy @13_VF_PAIR_GROUP 0 #
loop $2741 -1 -1 $-1 $-1 $2680 $2742 T -44.846720713508006 -1.7763568394002505e-015 47.534981229876706
21.862837159370077 0 100.05748214615421 unknown #
integer_attrib-name_attrib-gen-attrib $-1 -1 $2743 $-1 $1913 copy keep_all ignore copy @7_VF_PAIR 2 #
straight-curve $-1 -1 -1 $-1 -38.93651012867354 -1.7763568394002505e-015 46.566513955156708 0.97236992039767578 0
0.23344536385590517 1 1 #
integer_attrib-name_attrib-gen-attrib $-1 -1 $-1 $1914 $583 lose lose ignore keep @15_VF_ID_NUM_LOCAL 4 #
integer_attrib-name_attrib-gen-attrib $-1 -1 $-1 $1915 $776 lose lose ignore keep @15_VF_ID_NUM_LOCAL 4 #
integer_attrib-name_attrib-gen-attrib $-1 -1 $2744 $1917 $1484 copy keep_all ignore copy @13_VF_PAIR_GROUP 1 #
integer_attrib-name_attrib-gen-attrib $-1 -1 $-1 $1919 $777 lose lose ignore keep @15_VF_ID_NUM_LOCAL 1 #
integer_attrib-name_attrib-gen-attrib $-1 -1 $2745 $1920 $41 copy keep_all ignore copy @8_VF_TR_ID 0 #
integer_attrib-name_attrib-gen-attrib $-1 -1 $2746 $1921 $45 copy keep_all ignore copy @8_VF_TR_ID 2 #

```

```

integer_attrib-name_attrib-gen-attrib $-1 -1 $2747 $1922 $49 copy keep_all ignore copy @8 VF_TR_ID 4 #
integer_attrib-name_attrib-gen-attrib $-1 -1 $2748 $1923 $53 copy keep_all ignore copy @8 VF_TR_ID 6 #
integer_attrib-name_attrib-gen-attrib $-1 -1 $2749 $1924 $57 copy keep_all ignore copy @8 VF_TR_ID 8 #
integer_attrib-name_attrib-gen-attrib $-1 -1 $2750 $1925 $61 copy keep_all ignore copy @8 VF_TR_ID 10 #
integer_attrib-name_attrib-gen-attrib $-1 -1 $2751 $1926 $65 copy keep_all ignore copy @8 VF_TR_ID 12 #
integer_attrib-name_attrib-gen-attrib $-1 -1 $2752 $1927 $69 copy keep_all ignore copy @8 VF_TR_ID 14 #
integer_attrib-name_attrib-gen-attrib $-1 -1 $2753 $1928 $73 copy keep_all ignore copy @8 VF_TR_ID 16 #
integer_attrib-name_attrib-gen-attrib $-1 -1 $2754 $1929 $77 copy keep_all ignore copy @8 VF_TR_ID 18 #
string_attrib-name_attrib-gen-attrib $-1 -1 $2755 $1930 $0 keep keep_ kept ignore copy @14 VF_COLOUR_DATA @66
8:NAME=2209:VERSION=29:List=CLCS31:Label=Local Coordinate System13 #
string_attrib-name_attrib-gen-attrib $-1 -1 $-1 $-1 $1932 custom custom ignore copy @9 _VF_DATA_ @68
12:ENTITYTYPE=29:VERSION=36:Size=117:MaterialLabel=Air11:Potential=2 #
string_attrib-name_attrib-gen-attrib $-1 -1 $-1 $-1 $1934 custom custom ignore copy @9 _VF_DATA_ @68
12:ENTITYTYPE=29:VERSION=36:Size=117:MaterialLabel=Air11:Potential=2 #
cface $2756 -1 $-1 $411 $496 0 #
real_attrib-name_attrib-gen-attrib $-1 -1 $2757 $1935 $1105 lose lose lose keep @11 VF_FACEAREA 1185.0055705482748 #
cface_ptr-ct-attrib $-1 -1 $2758 $1936 $794 $-1 $598 #
edge $2759 -1 -1 $-1 $1945 0 $1955 0.26569423122201385 $1938 $2760 forward @7 unknown T 21.827642113708748 0 0 30 0
61.154696222063265 #
cface_ptr-ct-attrib $-1 -1 $-1 $1939 $599 $-1 $493 #
cface_ptr-ct-attrib $-1 -1 $-1 $1941 $603 $-1 $1934 #
integer_attrib-name_attrib-gen-attrib $-1 -1 $-1 $-1 $1942 lose lose ignore keep @15 VF_ID_NUM_LOCAL 12 #
ellipse-curve $-1 -1 -1 $-1 -224.30000000000001 0 0 0 1 0 232.90000000000001 0 0 1 I I #
integer_attrib-name_attrib-gen-attrib $-1 -1 $-1 $-1 $1943 lose lose ignore keep @15 VF_ID_NUM_LOCAL 3 #
straight-curve $-1 -1 -1 $-1 30 9.5750000000000028 0 0 1 0 I I #
integer_attrib-name_attrib-gen-attrib $-1 -1 $-1 $-1 $1945 lose lose ignore keep @15 VF_ID_NUM_LOCAL 3 #
point $-1 -1 -1 $-1 30 0 0 #
integer_attrib-name_attrib-gen-attrib $-1 -1 $-1 $-1 $1955 lose lose ignore keep @15 VF_ID_NUM_LOCAL 19 #
point $-1 -1 -1 $-1 21.827642113708748 0 61.154696222063087 #
cface_ptr-ct-attrib $-1 -1 $-1 $1962 $615 $-1 $1498 #
rgb_color-st-attrib $-1 -1 $2761 $1963 $822 0.60000002384185791 0.60000002384185791 0.60000002384185791 #
rgb_color-st-attrib $-1 -1 $2762 $1964 $1143 0.60000002384185791 0.60000002384185791 0.60000002384185791 #
integer_attrib-name_attrib-gen-attrib $-1 -1 $-1 $-1 $1970 lose lose ignore keep @15 VF_ID_NUM_LOCAL 18 #
straight-curve $-1 -1 -1 $-1 -8.5999999999999943 2 0 0 1 0 I I #
string_attrib-name_attrib-gen-attrib $-1 -1 $-1 $-1 $1980 custom custom ignore copy @9 _VF_DATA_ @89
12:ENTITYTYPE=29:VERSION=36:Size=319:MaterialLabel=ferro11:Potential=516:VolumeLabel=pack #
cface $2763 -1 $2764 $354 $2765 0 #
face $2766 -1 -1 $-1 $2044 $2767 $209 $-1 $2768 forward single T -3.599559625954754 2.1199999999999974 0 8.599999999999996
2.1200000000000001 56.319564344979455 F #
integer_attrib-name_attrib-gen-attrib $-1 -1 $2769 $-1 $1981 lose lose ignore keep @15 VF_ID_NUM_LOCAL 24 #
loop $-1 -1 -1 $-1 $2770 $1981 T 1.687868417735416 2.1199999999999992 0 8.599999999999996 2.1500000000000909
56.319564344979455 unknown #
cone-surface $-1 -1 -1 $-1 -224.30000000000001 4 0 0 -1 0 232.90000000000001 0 0 1 I I 0 1 232.90000000000001 forward I I I #
real_attrib-name_attrib-gen-attrib $-1 -1 $2771 $1982 $1569 lose lose lose keep @11 VF_FACEAREA 1001.0557403483024 #
integer_attrib-name_attrib-gen-attrib $-1 -1 $2772 $-1 $1983 lose lose ignore keep @15 VF_ID_NUM_LOCAL 9 #
loop $-1 -1 -1 $-1 $2411 $1983 T 21.827642113708748 0 0 30 19.150000000000006 61.154696222063087 unknown #
cone-surface $-1 -1 -1 $-1 -202.90000000000001 19.150000000000006 0 0 -1 0 232.90000000000001 0 0 1 I I 0 -1
232.90000000000001 forward I I I #
coedge $-1 -1 -1 $-1 $2773 $2774 $2035 $2419 forward $1984 $-1 #
real_attrib-name_attrib-gen-attrib $-1 -1 $2775 $1986 $1172 lose lose lose keep @11 VF_FACEAREA 1029.9293477735935 #
integer_attrib-name_attrib-gen-attrib $-1 -1 $2776 $1987 $1571 lose lose ignore keep @15 VF_ID_NUM_LOCAL 1 #
integer_attrib-name_attrib-gen-attrib $-1 -1 $2777 $-1 $1988 lose lose ignore keep @15 VF_ID_NUM_LOCAL 5 #
face $2778 -1 -1 $-1 $2765 $2779 $209 $-1 $2780 forward single T 35.827642113708777 0 0 44 29.14999999999997
61.154696222063087 F #
cone-surface $-1 -1 -1 $-1 -188.90000000000001 29.15000000000002 0 -0.70710678118654746 0.70710678118654746 0 0 0
232.90000000000001 0.70710678118654746 I I 0 1 232.90000000000001 forward I I I #
coedge $-1 -1 -1 $-1 $2781 $1990 $2774 $2782 reversed $1572 $-1 #
coedge $-1 -1 -1 $-1 $1990 $2781 $2783 $2784 forward $1572 $-1 #
rgb_color-st-attrib $-1 -1 $2785 $1991 $850 0.54901963472366333 0.90196079015731812 0.019607843831181526 #
string_attrib-name_attrib-gen-attrib $-1 -1 $2786 $1992 $1174 custom custom ignore copy @9 _VF_DATA_ @68
12:ENTITYTYPE=49:VERSION=225:Information=External face11:FaceSense=0 #
real_attrib-name_attrib-gen-attrib $-1 -1 $2787 $1993 $1576 lose lose lose keep @11 VF_FACEAREA 856.16574710888199 #
coedge $-1 -1 -1 $-1 $2788 $2789 $2410 $2790 forward $1994 $-1 #
rgb_color-st-attrib $-1 -1 $-1 $1996 $633 0.54901963472366333 0.90196079015731812 0.019607843831181526 #
string_attrib-name_attrib-gen-attrib $-1 -1 $-1 $-1 $1998 custom custom ignore copy @9 _VF_DATA_ @89
12:ENTITYTYPE=29:VERSION=36:Size=319:MaterialLabel=ferro11:Potential=516:VolumeLabel=pack #
cface $2791 -1 $2792 $354 $1576 0 #
cface $2793 -1 $1181 $354 $515 0 #
rgb_color-st-attrib $-1 -1 $-1 $2001 $638 0.54901963472366333 0.90196079015731812 0.019607843831181526 #
cface $2794 -1 $2795 $354 $638 0 #
rgb_color-st-attrib $-1 -1 $2796 $2002 $859 0.54901963472366333 0.90196079015731812 0.019607843831181526 #
coedge $-1 -1 -1 $-1 $2016 $2797 $2003 $2387 reversed $1622 $-1 #

```

```

edge $2798 -1 -1 $-1 $2389 53.343260824679952 $2394 70.807510021253023 $2003 $2799 reversed @7 unknown T -
12.600000000000019 2.1499999999999062 0 -8.599999999999943 19.150000000000006 1.4260540990261583e-014 #
integer_attrib-name_attrib-gen-attr $-1 -1 $-1 $2004 lose lose ignore keep @15 VF_ID_NUM_LOCAL 39 #
vertex $2800 -1 -1 $-1 $2004 $2801 #
ellipse-curve $-1 -1 $-1 -245.5 19.150000000000006 0 0 1 0 0 232.90000000000001 1 1 1 #
coedge $-1 -1 $-1 $2401 $2005 $2797 $2802 forward $2392 $-1 #
loop $-1 -1 $-1 $2011 $2803 T -14.574787690284523 2.129999999999999 0 -8.599999999999943 2.1500000000000328
52.415246047219362 unknown #
integer_attrib-name_attrib-gen-attr $-1 -1 $-1 $2006 lose lose ignore keep @15 VF_ID_NUM_LOCAL 44 #
vertex $2804 -1 -1 $-1 $2802 $2805 #
ellipse-curve $-1 -1 $-1 -241.5 2.1500000000000128 0 -8.5805128566993635e-017 1 0 0 232.90000000000001 1 1 1 #
integer_attrib-name_attrib-gen-attr $-1 -1 $-1 $2008 lose lose ignore keep @15 VF_ID_NUM_LOCAL 20 #
point $-1 -1 $-1 -14.574787690284523 2.1500000000000323 52.415246047219355 #
coedge $-1 -1 $-1 $2806 $2010 $2807 $2808 reversed $639 $-1 #
coedge $-1 -1 $-1 $2809 $2810 $2010 $2400 forward $2811 $-1 #
edge $2812 -1 -1 $-1 $2813 -37.073837424885362 $2403 -31.426355951957515 $2399 $2814 forward @7 unknown T -
14.574787690284527 2.1299999999999972 52.415246047219355 -9.0833465800063209 2.1300000000000008 53.733624414536479 #
coedge $-1 -1 $-1 $2011 $2391 $2809 $2815 forward $2392 $-1 #
integer_attrib-name_attrib-gen-attr $-1 -1 $-1 $2012 lose lose ignore keep @15 VF_ID_NUM_LOCAL 21 #
vertex $2816 -1 -1 $-1 $2400 $2817 #
straight-curve $-1 -1 $-1 -14.574787690284523 2.1400000000000148 52.415246047219355 0 1 0 1 1 #
integer_attrib-name_attrib-gen-attr $-1 -1 $-1 $2019 lose lose ignore keep @15 VF_ID_NUM_LOCAL 9 #
straight-curve $-1 -1 $-1 -25 0 0 1 0 0 1 1 #
integer_attrib-name_attrib-gen-attr $-1 -1 $-1 $2022 lose lose ignore keep @15 VF_ID_NUM_LOCAL 6 #
straight-curve $-1 -1 $-1 -17.824999999999999 19.150000000000006 0 -1 0 0 1 1 #
coedge $-1 -1 $-1 $2026 $2025 $2818 $2819 forward $2027 $-1 #
coedge $-1 -1 $-1 $2031 $2030 $2378 $2790 reversed $1612 $-1 #
coedge $-1 -1 $-1 $2783 $2820 $2030 $2412 forward $2365 $-1 #
edge $2821 -1 -1 $-1 $2822 -9.575000000000028 $2038 9.575000000000028 $2411 $2823 forward @7 unknown T
21.827642113708748 0 61.154696222063087 21.827642113708805 19.150000000000006 61.154696222063087 #
coedge $-1 -1 $-1 $2824 $2818 $2031 $2414 forward $2779 $-1 #
edge $2825 -1 -1 $-1 $2416 -14.574999999999982 $2826 14.574999999999989 $2413 $2827 forward @7 unknown T
35.827642113708777 0 61.154696222063087 35.827642113708805 29.14999999999997 61.154696222063087 #
integer_attrib-name_attrib-gen-attr $-1 -1 $-1 $2032 lose lose ignore keep @15 VF_ID_NUM_LOCAL 29 #
vertex $2828 -1 -1 $-1 $2819 $2829 #
straight-curve $-1 -1 $-1 -76.536178943145629 141.5138210568544 61.154696222063095 0.70710678118654757 -
0.70710678118654757 0 1 1 #
coedge $-1 -1 $-1 $2035 $2830 $2770 $2831 reversed $639 $-1 #
edge $2832 -1 -1 $-1 $2421 1.5461923512182283 $2833 1.5502019467161123 $2367 $2834 forward @7 unknown T
1.687868417735416 2.149999999999959 56.319564344979455 5.4602337663884839 19.150000000000134 57.225229136680909 #
integer_attrib-name_attrib-gen-attr $-1 -1 $-1 $2036 lose lose ignore keep @15 VF_ID_NUM_LOCAL 36 #
vertex $2835 -1 -1 $-1 $2419 $2836 #
straight-curve $-1 -1 $-1 -25.017062857206813 19.150000000000006 49.90827758317154 -0.97236992039767578 0 -
0.23344536385590517 1 1 #
integer_attrib-name_attrib-gen-attr $-1 -1 $-1 $2038 lose lose ignore keep @15 VF_ID_NUM_LOCAL 42 #
point $-1 -1 $-1 21.827642113708805 19.150000000000006 61.154696222063087 #
coedge $-1 -1 $-1 $2837 $2040 $2838 $2839 reversed $1622 $-1 #
coedge $-1 -1 $-1 $2818 $2824 $2040 $2427 forward $2779 $-1 #
edge $2840 -1 -1 $-1 $2841 0 $2429 29.14999999999997 $2426 $2842 reversed @7 unknown T 43.99999999999972 0 0 44
29.14999999999997 1.4260540990261583e-014 #
integer_attrib-name_attrib-gen-attr $-1 -1 $-1 $2041 lose lose ignore keep @15 VF_ID_NUM_LOCAL 16 #
vertex $2843 -1 -1 $-1 $2427 $2844 #
straight-curve $-1 -1 $-1 -72.450000000000031 145.5999999999999 0 0.70710678118654757 -0.70710678118654757 0 1 1 #
coedge $-1 -1 $-1 $2845 $2043 $2846 $2847 forward $1622 $-1 #
coedge $-1 -1 $-1 $2043 $2848 $2849 $2850 forward $1622 $-1 #
coedge $-1 -1 $-1 $2851 $2852 $2043 $2434 reversed $2853 $-1 #
edge $2854 -1 -1 $-1 $2855 1.044999999999999 $2856 1.074999999999997 $2043 $2857 forward @7 unknown T 3
2.120000000000001 0 3 2.149999999999999 0 #
string_attrib-name_attrib-gen-attr $-1 -1 $2858 $-1 $2044 custom custom ignore copy @9_VF_DATA_@108
12:ENTITITYTYPE=49:VERSION=225:Information=External face18:BoundaryLabel=tang16:FaceDirection=-111:FaceSense=1 #
face $2859 -1 -1 $-1 $2803 $2811 $209 $-1 $2860 forward single T -14.574787690284527 2.129999999999972 0 -
2.799999999999994 2.1300000000000008 53.733624414536479 F #
plane-surface $-1 -1 $-1 0 2.5 0 0 1 1 0 0 forward_v 1 1 1 1 #
integer_attrib-name_attrib-gen-attr $-1 -1 $-1 $2049 lose lose ignore keep @15 VF_ID_NUM_LOCAL 10 #
straight-curve $-1 -1 $-1 -43.999999999999972 29.150000000000002 0 0 1 0 1 1 #
integer_attrib-name_attrib-gen-attr $-1 -1 $-1 $2051 lose lose ignore keep @15 VF_ID_NUM_LOCAL 12 #
point $-1 -1 $-1 -43.999999999999972 0 0 #
string_attrib-name_attrib-gen-attr $-1 -1 $2861 $2055 $1226 custom custom ignore copy @9_VF_DATA_@138
12:ENTITITYTYPE=49:VERSION=225:Information=External
face13:ElementType=718:BoundaryLabel=norm13:BackLayers=1014:BackOffset=-0.211:FaceSense=1 #
cface_ptr-ct-attr $-1 -1 $-1 $2056 $656 $-1 $523 #
cface_ptr-ct-attr $-1 -1 $-1 $2058 $658 $-1 $1651 #

```

```

cface_ptr-ct-attrib $-1 -1 $2862 $2059 $894 $-1 $1225 #
integer_attrib-name_attrib-gen-attrib $-1 -1 $-1 $-1 $2060 lose lose ignore keep @15 VF_ID_NUM_LOCAL 11 #
straight-curve $-1 -1 -1 $-1 8.599999999999943 1.0750000000000561 0 0 1 0 II #
integer_attrib-name_attrib-gen-attrib $-1 -1 $-1 $-1 $2062 lose lose ignore keep @15 VF_ID_NUM_LOCAL 6 #
point $-1 -1 -1 $-1 8.599999999999996 2.120000000000001 0 #
string_attrib-name_attrib-gen-attrib $-1 -1 $-1 $-1 $2065 custom custom ignore copy @9 _VF_DATA_ @86
12:ENTITYTYPE=29:VERSION=38:Size=0.517:MaterialLabel=Air11:Potential=213:ElementType=7 #
rgb_color-st-attrib $-1 -1 $-1 $2067 $665 0.60000002384185791 0.60000002384185791 0.60000002384185791 #
string_attrib-name_attrib-gen-attrib $-1 -1 $-1 $-1 $2085 custom custom ignore copy @9 _VF_DATA_ @68
12:ENTITYTYPE=29:VERSION=36:Size=617:MaterialLabel=Air11:Potential=5 #
cface $2863 -1 $2864 $366 $689 0 #
string_attrib-name_attrib-gen-attrib $-1 -1 $2865 $2086 $1693 custom custom ignore copy @9 _VF_DATA_ @87
12:ENTITYTYPE=49:VERSION=225:Information=External face16:FaceDirection=-111:FaceSense=1 #
coedge $-1 -1 -1 $-1 $2500 $2866 $2867 $2868 reversed $2087 $-1 #
real_attrib-name_attrib-gen-attrib $-1 -1 $2869 $2089 $1287 lose lose lose keep @11 VF_FACEAREA 4239.8809257503708 #
coedge $-1 -1 -1 $-1 $2866 $2500 $2090 $2458 forward $2087 $-1 #
edge $2870 -1 -1 $-1 $2503 1.3051020955728836 $2871 1.5707963267948966 $2090 $2872 forward @7 unknown T
30.827642113708777 34.14999999999999 0 38.99999999999972 34.14999999999999 61.154696222063087 #
cface_ptr-ct-attrib $-1 -1 $2873 $2091 $943 $-1 $687 #
real_attrib-name_attrib-gen-attrib $-1 -1 $2874 $2092 $1289 lose lose lose keep @11 VF_FACEAREA 1395.4499370802596 #
real_attrib-name_attrib-gen-attrib $-1 -1 $2875 $2093 $1699 lose lose lose keep @11 VF_FACEAREA 464.92601487558682 #
integer_attrib-name_attrib-gen-attrib $-1 -1 $2876 $-1 $2094 lose lose ignore keep @15 VF_ID_NUM_LOCAL 13 #
loop $-1 -1 -1 $-1 $2497 $2094 T 35.827642113708777 0 0 44 29.15000000000002 61.154696222063087 unknown #
cone-surface $-1 -1 -1 $-1 -188.90000000000001 0 0 0 1 0 232.90000000000001 0 0 1 1 1 0 1 232.90000000000001 forward IIII #
edge $2877 -1 -1 $-1 $2487 -1.5707963267948966 $2129 -1.3652516599784406 $2135 $2878 reversed @7 unknown T -
48.902553611942238 29.15000000000002 0 -44 29.15000000000004 47.534981229876763 #
edge $2879 -1 -1 $-1 $2468 -164.6851693383469 $2487 -157.61410152648145 $2109 $2880 forward @7 unknown T -44
29.15000000000002 0 -39 34.15000000000002 0 #
integer_attrib-name_attrib-gen-attrib $-1 -1 $-1 $-1 $2098 lose lose ignore keep @15 VF_ID_NUM_LOCAL 13 #
vertex $2881 -1 -1 $-1 $2466 $2882 #
ellipse-curve $-1 -1 -1 $-1 -271.8999999999998 34.14999999999999 0 0 1 0 232.90000000000001 0 0 1 II #
rgb_color-st-attrib $-1 -1 $-1 $2100 $689 0.60000002384185791 0.60000002384185791 0.60000002384185791 #
integer_attrib-name_attrib-gen-attrib $-1 -1 $2883 $2101 $946 lose lose ignore keep @15 VF_ID_NUM_LOCAL 14 #
string_attrib-name_attrib-gen-attrib $-1 -1 $2884 $2102 $1295 custom custom ignore copy @9 _VF_DATA_ @89
12:ENTITYTYPE=49:VERSION=225:Information=External face18:BoundaryLabel=tang11:FaceSense=0 #
rgb_color-st-attrib $-1 -1 $2885 $2103 $1707 0.60000002384185791 0.60000002384185791 0.60000002384185791 #
real_attrib-name_attrib-gen-attrib $-1 -1 $2886 $-1 $2104 lose lose lose keep @11 VF_FACEAREA 25600 #
face $2887 -1 -1 $-1 $1724 $2888 $215 $-1 $2889 reversed single T 80 0 0 80 80 160 F #
loop $-1 -1 -1 $-1 $2890 $2104 T -80 80 0 80 80 160 unknown #
plane-surface $-1 -1 -1 $-1 0 80 80 0 -1 0 0 0 -1 forward_v IIII #
coedge $-1 -1 -1 $-1 $2891 $2892 $2893 $2894 forward $2105 $-1 #
coedge $-1 -1 -1 $-1 $2895 $2107 $2896 $2897 forward $1708 $-1 #
coedge $-1 -1 -1 $-1 $2107 $2895 $2898 $2899 forward $1708 $-1 #
coedge $-1 -1 -1 $-1 $2900 $2901 $2107 $2482 reversed $2888 $-1 #
edge $2902 -1 -1 $-1 $2903 -40 $2904 40 $2481 $2905 forward @7 unknown T 80 0 160 80 80 160 #
coedge $-1 -1 -1 $-1 $2906 $2108 $2891 $2907 forward $1296 $-1 #
edge $2908 -1 -1 $-1 $2488 43.99999999999972 $2909 80 $2131 $2910 forward @7 unknown T -80 0 0 -43.99999999999972 0 0 #
coedge $-1 -1 -1 $-1 $2109 $2911 $2138 $2510 forward $1296 $-1 #
integer_attrib-name_attrib-gen-attrib $-1 -1 $-1 $-1 $2111 lose lose ignore keep @15 VF_ID_NUM_LOCAL 29 #
vertex $2912 -1 -1 $-1 $2111 $2913 #
vertex $2914 -1 -1 $-1 $2484 $2915 #
straight-curve $-1 -1 -1 $-1 -43.99999999999972 14.57500000000001 0 0 -1 0 II #
cface $2916 -1 $2917 $366 $542 0 #
coedge $-1 -1 -1 $-1 $2867 $2497 $2113 $2492 reversed $2463 $-1 #
edge $2918 -1 -1 $-1 $2919 -14.57499999999982 $2494 14.57499999999989 $2491 $2920 forward @7 unknown T
35.827642113708777 0 61.154696222063087 35.827642113708805 29.1499999999997 61.154696222063087 #
integer_attrib-name_attrib-gen-attrib $-1 -1 $-1 $-1 $2114 lose lose ignore keep @15 VF_ID_NUM_LOCAL 48 #
vertex $2921 -1 -1 $-1 $2114 $2922 #
straight-curve $-1 -1 -1 $-1 20.781910528427147 0 61.154696222063095 1 0 0 II #
coedge $-1 -1 -1 $-1 $2923 $2117 $2924 $2925 reversed $1310 $-1 #
coedge $-1 -1 -1 $-1 $2491 $2926 $2117 $2498 reversed $2463 $-1 #
edge $2927 -1 -1 $-1 $2494 -0.26569423122201297 $2928 0 $2117 $2929 forward @7 unknown T 35.827642113708805 0 0 44 0
61.154696222063087 #
real_attrib-name_attrib-gen-attrib $-1 -1 $2930 $2118 $1724 lose lose lose keep @11 VF_FACEAREA 18456.717224281419 #
coedge $-1 -1 -1 $-1 $2457 $2455 $2120 $2501 reversed $2087 $-1 #
edge $2931 -1 -1 $-1 $2503 151.83537184680159 $2919 158.90643965866707 $2500 $2932 forward @7 unknown T
30.827642113708777 29.1499999999997 61.154696222063087 35.827642113708791 34.14999999999999 61.154696222063095 #
integer_attrib-name_attrib-gen-attrib $-1 -1 $-1 $-1 $2122 lose lose ignore keep @15 VF_ID_NUM_LOCAL 7 #
vertex $2933 -1 -1 $-1 $2458 $2934 #
straight-curve $-1 -1 -1 $-1 9.7319105284271785 34.14999999999999 61.154696222063087 1 0 0 II #
integer_attrib-name_attrib-gen-attrib $-1 -1 $-1 $-1 $2129 lose lose ignore keep @15 VF_ID_NUM_LOCAL 12 #
point $-1 -1 -1 $-1 -48.902553611942238 29.15000000000004 47.534981229876706 #

```

```

coedge $-1 -1 -1 $-1 $2131 $2898 $2935 $2936 forward $1310 $-1 #
integer_attr-name_attr-gen-attr $-1 -1 -1 $-1 $2132 lose lose ignore keep @15 VF_ID_NUM_LOCAL 25 #
ellipse-curve $-1 -1 -1 $-1 -276.8999999999998 0 0 0 -1 0 232.90000000000001 0 0 1 I I #
edge $2937 -1 -1 $-1 $2871 -51.499999999999972 $2468 26.5 $2485 $2938 forward @7 unknown T -39 34.14999999999999 0
38.99999999999972 34.14999999999999 0 #
integer_attr-name_attr-gen-attr $-1 -1 -1 $-1 $2143 lose lose ignore keep @15 VF_ID_NUM_LOCAL 1 #
straight-curve $-1 -1 -1 $-1 12.523104589954876 9.575000000000011 100.0574821461542 0 1 0 I I #
integer_attr-name_attr-gen-attr $-1 -1 -1 $-1 $2145 lose lose ignore keep @15 VF_ID_NUM_LOCAL 1 #
point $-1 -1 -1 $-1 12.523104589954876 0 100.0574821461542 #
cface_ptr-ct-attr $-1 -1 -1 $2149 $725 $-1 $985 #
real_attr-name_attr-gen-attr $-1 -1 $2939 $2150 $993 lose lose lose keep @11 VF_FACEAREA 1129.8499999999997 #
string_attr-name_attr-gen-attr $-1 -1 $2940 $2157 $1021 custom custom ignore copy @9 _VF_DATA_ @68
12:ENTITYTYPE=49:VERSION=225:Information=External face11:FaceSense=1 #
string_attr-name_attr-gen-attr $-1 -1 $2941 $2158 $40 keep keep_ignored ignore copy @14 VF_COLOUR_DATA @41
8:NAME=1959:VERSION=29:List=Size7:Label=6 #
string_attr-name_attr-gen-attr $-1 -1 $-1 $2160 $1793 custom custom ignore copy @9 _VF_DATA_ @86
12:ENTITYTYPE=29:VERSION=38:Size=0.517:MaterialLabel=Air11:Potential=213:ElementType=7 #
integer_attr-name_attr-gen-attr $-1 -1 $2942 $-1 $2161 lose lose ignore keep @15 VF_ID_NUM_LOCAL 14 #
cell3d-cell $2943 -1 $2944 $127 $-1 1 $2945 #
cshell $-1 -1 $-1 $2946 $2161 #
cface $2947 -1 $2948 $2162 $2227 0 #
string_attr-name_attr-gen-attr $-1 -1 $-1 $2163 custom custom ignore copy @9 _VF_DATA_ @86
12:ENTITYTYPE=29:VERSION=38:Size=0.517:MaterialLabel=Air11:Potential=213:ElementType=7 #
cface $2949 -1 $2950 $1794 $2177 0 #
face $2951 -1 -1 $-1 $2529 $2952 $221 $-1 $577 forward double in T 1.687868417735416 1 0 8.599999999999996
1.2000000000000002 56.319564344979476 F #
string_attr-name_attr-gen-attr $-1 -1 $-1 $2165 custom custom ignore copy @9 _VF_DATA_ @86
12:ENTITYTYPE=29:VERSION=38:Size=0.517:MaterialLabel=Air11:Potential=213:ElementType=7 #
cface $2953 -1 $2954 $1393 $2531 1 #
face $2955 -1 -1 $-1 $2166 $2956 $221 $-1 $762 reversed double in T -14.574787690284527 1.1999999999999993
52.415246047219355 1.687868417735416 1.3999999999999999 56.319564344979469 F #
fctd_mark-eye-attr $-1 -1 $2957 $-1 $2166 #
face $2958 -1 -1 $-1 $2959 $2960 $221 $-1 $2961 reversed double in T -14.574787690284527 1.399999999999998 0
8.599999999999996 1.3999999999999999 56.319564344979476 F #
loop $2962 -1 -1 $-1 $2963 $2166 T -14.574787690284523 1.2 0 -8.599999999999943 1.3999999999999999
52.415246047219377 unknown #
string_attr-name_attr-gen-attr $-1 -1 $-1 $2168 custom custom ignore copy @9 _VF_DATA_ @86
12:ENTITYTYPE=29:VERSION=38:Size=0.517:MaterialLabel=Air11:Potential=213:ElementType=7 #
cface $2964 -1 $2965 $1030 $1039 1 #
fmesh-eye-attr $-1 -1 $2966 $2169 $1798 #
integer_attr-name_attr-gen-attr $-1 -1 -1 $-1 $2170 lose lose ignore keep @15 VF_ID_NUM_LOCAL 38 #
coedge $-1 -1 -1 $-1 $2967 $2305 $2566 $2581 reversed $2170 $-1 #
string_attr-name_attr-gen-attr $-1 -1 -1 $-1 $2172 custom custom ignore copy @9 _VF_DATA_ @86
12:ENTITYTYPE=29:VERSION=38:Size=0.517:MaterialLabel=Air11:Potential=213:ElementType=7 #
cface $2968 -1 $2969 $748 $1823 0 #
fmesh-eye-attr $-1 -1 $2970 $2173 $1801 #
integer_attr-name_attr-gen-attr $-1 -1 -1 $-1 $2174 lose lose ignore keep @15 VF_ID_NUM_LOCAL 37 #
coedge $-1 -1 -1 $-1 $2971 $2972 $2578 $2973 reversed $2174 $-1 #
integer_attr-name_attr-gen-attr $-1 -1 $2974 $2175 $1397 lose lose ignore keep @15 VF_ID_NUM_LOCAL 64 #
integer_attr-name_attr-gen-attr $-1 -1 $2975 $2176 $1803 copy keep_all ignore copy @13 VF_PAIR_GROUP 0 #
fctd_mark-eye-attr $-1 -1 $2976 $-1 $2177 #
face $2977 -1 -1 $-1 $2978 $2979 $221 $-1 $577 forward double in T 1.687868417735416 0.7999999999999982 0
8.599999999999996 1 56.319564344979476 F #
loop $2980 -1 -1 $-1 $2981 $2177 T -8.599999999999996 1 0 8.599999999999996 1.2000000000000002 0 unknown #
integer_attr-name_attr-gen-attr $-1 -1 -1 $-1 $2178 lose lose ignore keep @15 VF_ID_NUM_LOCAL 35 #
coedge $-1 -1 -1 $-1 $2982 $2983 $2984 $2985 reversed $2178 $-1 #
coedge $-1 -1 -1 $-1 $2986 $2181 $2971 $2684 reversed $1804 $-1 #
coedge $-1 -1 -1 $-1 $2181 $2986 $2641 $2987 forward $1804 $-1 #
coedge $-1 -1 -1 $-1 $2988 $2575 $2685 $2553 forward $2202 $-1 #
edge $2989 -1 -1 $-1 $2687 -0.2269992043072836 $2990 0 $2685 $2991 forward @7 unknown T -14.574787690284523
0.8000000000000004 0 -8.599999999999943 0.8000000000000004 52.415246047219377 #
string_attr-name_attr-gen-attr $-1 -1 $-1 $2183 custom custom ignore copy @9 _VF_DATA_ @86
12:ENTITYTYPE=29:VERSION=38:Size=0.517:MaterialLabel=Air11:Potential=213:ElementType=7 #
cface $2992 -1 $-1 $568 $760 0 #
string_attr-name_attr-gen-attr $-1 -1 $2993 $2184 $1034 custom custom ignore copy @9 _VF_DATA_ @68
12:ENTITYTYPE=49:VERSION=225:Information=Internal face11:FaceSense=0 #
integer_attr-name_attr-gen-attr $-1 -1 $2994 $2185 $1401 lose lose ignore keep @15 VF_ID_NUM_LOCAL 53 #
fmesh-eye-attr $-1 -1 $2995 $2186 $1809 #
integer_attr-name_attr-gen-attr $-1 -1 -1 $-1 $2187 lose lose ignore keep @15 VF_ID_NUM_LOCAL 46 #
string_attr-name_attr-gen-attr $-1 -1 -1 $-1 $2190 custom custom ignore copy @9 _VF_DATA_ @86
12:ENTITYTYPE=29:VERSION=38:Size=0.517:MaterialLabel=Air11:Potential=213:ElementType=7 #
fctd_mark-eye-attr $-1 -1 $2996 $2191 $1405 #

```



```

fmesh-eye-attrib $-1 -1 $2997 $2192 $1815 #
integer_attrib-name_attrib-gen-attrib $-1 -1 $-1 $-1 $2193 lose lose ignore keep @15 VF_ID_NUM_LOCAL 44 #
coedge $-1 -1 -1 $-1 $2642 $2651 $2998 $2636 reversed $2193 $-1 #
coedge $-1 -1 -1 $-1 $2998 $2195 $2294 $2577 forward $1816 $-1 #
coedge $-1 -1 -1 $-1 $2195 $2998 $2210 $2581 forward $1816 $-1 #
string_attrib-name_attrib-gen-attrib $-1 -1 $2999 $2196 $1037 custom custom ignore copy @9 _VF_DATA_ @105
12:ENTITYTYPE=49:VERSION=225:Information=External face13:ElementType=718:BoundaryLabel=tang11:FaceSense=0 #
real_attrib-name_attrib-gen-attrib $-1 -1 $3000 $2197 $752 lose lose keep @11 VF_FACEAREA 11.376684933998627 #
string_attrib-name_attrib-gen-attrib $-1 -1 $3001 $2198 $1039 custom custom ignore copy @9 _VF_DATA_ @68
12:ENTITYTYPE=49:VERSION=225:Information=Internal face11:FaceSense=1 #
integer_attrib-name_attrib-gen-attrib $-1 -1 $3002 $2199 $1410 lose lose ignore keep @15 VF_ID_NUM_LOCAL 59 #
integer_attrib-name_attrib-gen-attrib $-1 -1 $3003 $2200 $1823 copy keep_all ignore copy @13 VF_PAIR_GROUP 0 #
fctd_mark-eye-attrib $-1 -1 $3004 $-1 $2201 #
loop $3005 -1 -1 $-1 $-1 $3006 $2201 T -8.599999999999999 0.799999999999999 0 8.599999999999999 1 0 unknown #
integer_attrib-name_attrib-gen-attrib $-1 -1 $-1 $-1 $2202 lose lose ignore keep @15 VF_ID_NUM_LOCAL 40 #
coedge $-1 -1 -1 $-1 $2552 $3007 $2542 $2973 reversed $2202 $-1 #
coedge $-1 -1 -1 $-1 $2205 $2685 $2261 $2643 forward $1824 $-1 #
edge $3008 -1 -1 $-1 $2296 -0.2269992043072836 $2638 0 $2294 $3009 forward @7 unknown T -14.574787690284523
0.6000000000000009 0 -8.599999999999999 0.6000000000000009 52.415246047219377 #
coedge $-1 -1 -1 $-1 $2207 $2206 $2575 $2973 forward $1411 $-1 #
integer_attrib-name_attrib-gen-attrib $-1 -1 $3010 $-1 $2209 copy keep_all ignore copy @7 VF_PAIR 34 #
straight-curve $-1 -1 -1 $-1 -42.438146628710079 0.6000000000000142 45.725845409478296 0.97236992039767645 0
0.23344536385590534 I I #
edge $3011 -1 -1 $-1 $2269 0 $2308 0.24423969373118543 $2210 $3012 forward @7 unknown T 1.687868417735416
0.6000000000000009 0 8.599999999999999 0.6000000000000009 56.319564344979476 #
integer_attrib-name_attrib-gen-attrib $-1 -1 $3013 $2212 $1830 copy keep_all ignore copy @13 VF_PAIR_GROUP 3 #
fmesh-eye-attrib $-1 -1 $3014 $2215 $1043 #
integer_attrib-name_attrib-gen-attrib $-1 -1 $3015 $2216 $1417 lose lose ignore keep @15 VF_ID_NUM_LOCAL 99 #
fmesh-eye-attrib $-1 -1 $3016 $2217 $1835 #
fctd_mark-eye-attrib $-1 -1 $3017 $-1 $2218 #
face $3018 -1 -1 $-1 $3019 $3020 $221 $-1 $3021 reversed single T -80 0 0 80 80 0 F #
loop $3022 -1 -1 $-1 $-1 $3023 $2218 T -48.902553611942238 0 47.534981229876706 -34.90255361194221 34.150000000000034
47.534981229876706 unknown #
plane-surface $-1 -1 -1 $-1 -58.901276805971094 30 47.534981229876706 0 0 1 1 0 0 forward_v I I I I #
integer_attrib-name_attrib-gen-attrib $-1 -1 $-1 $-1 $2219 lose lose ignore keep @15 VF_ID_NUM_LOCAL 72 #
coedge $-1 -1 -1 $-1 $3024 $3025 $3026 $3027 forward $2219 $-1 #
coedge $-1 -1 -1 $-1 $3028 $2222 $2297 $2693 reversed $1836 $-1 #
coedge $-1 -1 -1 $-1 $2222 $3029 $2312 $2727 reversed $1836 $-1 #
coedge $-1 -1 -1 $-1 $3030 $3031 $3032 $2595 forward $3033 $-1 #
edge $3034 -1 -1 $-1 $3035 28.655101678824138 $3036 45.37986430966415 $2594 $3037 forward @7 unknown T -
14.574787690284527 1.999999999999999 52.415246047219362 1.687868417735416 2 56.319564344979469 #
real_attrib-name_attrib-gen-attrib $-1 -1 $3038 $2223 $755 lose lose lose keep @11 VF_FACEAREA 3.3449525261680186 #
string_attrib-name_attrib-gen-attrib $-1 -1 $3039 $2224 $1045 custom custom ignore copy @9 _VF_DATA_ @105
12:ENTITYTYPE=49:VERSION=225:Information=External face13:ElementType=718:BoundaryLabel=tang11:FaceSense=0 #
integer_attrib-name_attrib-gen-attrib $-1 -1 $3040 $2225 $1422 lose lose ignore keep @15 VF_ID_NUM_LOCAL 84 #
integer_attrib-name_attrib-gen-attrib $-1 -1 $3041 $2226 $1842 copy keep_all ignore copy @13 VF_PAIR_GROUP 0 #
fctd_mark-eye-attrib $-1 -1 $3042 $-1 $2227 #
face $3043 -1 -1 $-1 $3044 $3045 $221 $-1 $464 reversed single T -8.599999999999999 1.799999999999999 0
8.599999999999999 2 0 F #
loop $3046 -1 -1 $-1 $-1 $3047 $2227 T 1.687868417735416 1.399999999999999 0 8.599999999999999 1.599999999999999
56.319564344979476 unknown #
integer_attrib-name_attrib-gen-attrib $-1 -1 $-1 $-1 $2228 lose lose ignore keep @15 VF_ID_NUM_LOCAL 15 #
coedge $-1 -1 -1 $-1 $3048 $3049 $3050 $3051 reversed $2228 $-1 #
coedge $-1 -1 -1 $-1 $3052 $2231 $3053 $3054 forward $1843 $-1 #
coedge $-1 -1 -1 $-1 $2231 $3052 $3055 $3056 reversed $1843 $-1 #
coedge $-1 -1 -1 $-1 $3057 $3058 $3059 $2608 forward $3060 $-1 #
edge $3061 -1 -1 $-1 $3062 0 $3063 0.24423969373118543 $3059 $3064 forward @7 unknown T 1.687868417735416
1.599999999999999 0 8.599999999999999 1.599999999999999 56.319564344979476 #
integer_attrib-name_attrib-gen-attrib $-1 -1 $3065 $2232 $311 copy keep_all ignore copy @21 VF_PAIR_TRANSFDEFINED 1 #
rgb_color-st-attrib $-1 -1 $-1 $2234 $462 0.60000002384185791 0.60000002384185791 0.60000002384185791 #
cface $3066 -1 $3067 $3068 $462 1 #
cface_ptr-ct-attrib $-1 -1 $3069 $2235 $575 $1806 $3070 #
real_attrib-name_attrib-gen-attrib $-1 -1 $3071 $2236 $760 lose lose lose keep @11 VF_FACEAREA 10.573622936633271 #
fmesh-eye-attrib $-1 -1 $3072 $2237 $1052 #
coedge $-1 -1 -1 $-1 $2239 $2624 $1905 $2244 reversed $2616 $-1 #
loop $3073 -1 -1 $-1 $-1 $2615 $2633 T 1.6878684177353804 -1.7763568394002505e-015 0 30 0 61.154696222063087 unknown #
integer_attrib-name_attrib-gen-attrib $-1 -1 $3074 $2240 $1853 copy keep_all ignore copy @13 VF_PAIR_GROUP 3 #
integer_attrib-name_attrib-gen-attrib $-1 -1 $3075 $2243 $1855 copy keep_all ignore copy @13 VF_PAIR_GROUP 0 #
plist-eye-attrib $-1 -1 $3076 $-1 $2244 #
vertex $3077 -1 -1 $-1 $3078 $3079 #
coedge $-1 -1 -1 $-1 $2246 $2628 $3080 $3081 forward $1857 $-1 #
coedge $-1 -1 -1 $-1 $3080 $3082 $3083 $2623 reversed $3084 $-1 #

```

```

edge $3085 -1 -1 $-1 $3086 0 $2626 19.150000000000006 $3083 $3087 reversed @7 unknown T 30 0 0 30 19.150000000000006 0 #
coedge $-1 -1 -1 $-1 $2615 $2247 $3088 $3089 forward $2616 $-1 #
ptlist-eye-attrib $-1 -1 $3090 $-1 $2248 #
vertex $3091 -1 -1 $-1 $3089 $3092 #
straight-curve $-1 -1 -1 $-1 0 0 0 1 0 0 II #
coedge $-1 -1 -1 $-1 $2621 $2250 $3093 $3094 forward $1857 $-1 #
coedge $-1 -1 -1 $-1 $2250 $3095 $3096 $3097 forward $1857 $-1 #
coedge $-1 -1 -1 $-1 $3098 $3093 $3099 $2631 reversed $3084 $-1 #
edge $3100 -1 -1 $-1 $3101 1.044999999999944 $3102 1.0750000000000348 $2630 $3103 forward @7 unknown T
8.599999999999943 2.120000000000001 0 8.599999999999996 2.1500000000000909 0 #
fctd_mark-eye-attrib $-1 -1 $3104 $-1 $2251 #
face $3105 -1 -1 $3106 $2616 $221 $-1 $3107 reversed single T 1.6878684177353804 -1.7763568394002505e-015 0 30 0
61.154696222063087 F #
plane-surface $-1 -1 -1 $-1 0 12.5 0 0 0 1 1 0 0 forward_v III #
integer_attrib-name_attrib-gen-attrib $-1 -1 $3108 $2253 $1859 copy keep_all ignore copy @13 VF_PAIR_GROUP 3 #
edge $3109 -1 -1 $-1 $2638 -8.599999999999996 $2269 8.599999999999996 $2255 $3110 forward @7 unknown T -
8.599999999999996 0.6000000000000009 0 8.599999999999996 0.6000000000000009 0 #
ptlist-eye-attrib $-1 -1 $3111 $-1 $2257 #
vertex $3112 -1 -1 $-1 $2257 $3113 #
ptlist-eye-attrib $-1 -1 $3114 $2258 $1440 #
integer_attrib-name_attrib-gen-attrib $-1 -1 $3115 $2259 $1866 copy keep_all ignore copy @13 VF_PAIR_GROUP 1 #
coedge $-1 -1 -1 $-1 $2261 $3116 $3117 $2987 forward $1868 $-1 #
coedge $-1 -1 -1 $-1 $3118 $2564 $2576 $2643 reversed $2193 $-1 #
edge $3119 -1 -1 $-1 $2990 0.2750000000000235 $2638 0.4750000000000231 $2642 $1445 forward @7 unknown T -
8.599999999999996 0.6000000000000009 0 -8.599999999999943 0.8000000000000004 0 #
coedge $-1 -1 -1 $-1 $3120 $2263 $3121 $3122 forward $1868 $-1 #
coedge $-1 -1 -1 $-1 $2263 $3123 $3124 $3125 forward $1868 $-1 #
coedge $-1 -1 -1 $-1 $3126 $3127 $3128 $2647 reversed $3129 $-1 #
edge $3130 -1 -1 $-1 $3131 -1.054999999999975 $3132 -0.9249999999999738 $2646 $1445 forward @7 unknown T -
8.599999999999996 1.999999999999998 0 -8.599999999999943 2.129999999999999 0 #
fctd_mark-eye-attrib $-1 -1 $3133 $-1 $2264 #
string_attrib-name_attrib-gen-attrib $-1 -1 $3134 $2265 $1444 custom custom ignore copy @9 _VF_DATA_ @66
13:ENTITYTYPE=169:VERSION=236:Information=paired vertex [layering] #
coedge $-1 -1 -1 $-1 $3135 $2266 $3136 $3137 forward $1857 $-1 #
coedge $-1 -1 -1 $-1 $2564 $3118 $2967 $2652 reversed $2193 $-1 #
edge $3138 -1 -1 $-1 $2269 -0.47500000000005604 $3139 -0.27500000000005609 $2651 $1450 forward @7 unknown T
8.599999999999943 0.6000000000000009 0 8.599999999999996 0.8000000000000004 0 #
string_attrib-name_attrib-gen-attrib $-1 -1 $3140 $2267 $1449 custom custom ignore copy @9 _VF_DATA_ @66
13:ENTITYTYPE=169:VERSION=236:Information=paired vertex [layering] #
integer_attrib-name_attrib-gen-attrib $-1 -1 $-1 $2268 $1875 lose lose ignore keep @15 VF_ID_NUM_LOCAL 114 #
integer_attrib-name_attrib-gen-attrib $-1 -1 $3141 $-1 $2269 copy keep_all ignore copy @7 VF_PAIR 34 #
point $-1 -1 -1 $-1 8.599999999999996 0.6000000000000009 0 #
integer_attrib-name_attrib-gen-attrib $-1 -1 $3142 $-1 $2270 copy keep_all ignore copy @7 VF_PAIR 6 #
straight-curve $-1 -1 -1 $-1 0 0 0 1 0 0 II #
integer_attrib-name_attrib-gen-attrib $-1 -1 $-1 $2271 $768 lose lose ignore keep @15 VF_ID_NUM_LOCAL 15 #
integer_attrib-name_attrib-gen-attrib $-1 -1 $-1 $2272 $1066 lose lose ignore keep @15 VF_ID_NUM_LOCAL 14 #
integer_attrib-name_attrib-gen-attrib $-1 -1 $3143 $2274 $1881 copy keep_all ignore copy @13 VF_PAIR_GROUP 2 #
integer_attrib-name_attrib-gen-attrib $-1 -1 $-1 $2276 $1067 lose lose ignore keep @15 VF_ID_NUM_LOCAL 16 #
coedge $-1 -1 -1 $-1 $2669 $2277 $1893 $2290 reversed $2664 $-1 #
loop $3144 -1 -1 $-1 $-1 $2663 $3145 T -34.90255361194221 -1.7763568394002505e-015 0 -8.599999999999943 0
52.415246047219377 unknown #
integer_attrib-name_attrib-gen-attrib $-1 -1 $3146 $2278 $1884 copy keep_all ignore copy @13 VF_PAIR_GROUP 1 #
coedge $-1 -1 -1 $-1 $3123 $2280 $3147 $3148 forward $1868 $-1 #
coedge $-1 -1 -1 $-1 $3149 $3147 $3150 $2668 reversed $3084 $-1 #
edge $3151 -1 -1 $-1 $2671 0 $3152 19.150000000000006 $3150 $3153 reversed @7 unknown T -29.99999999999972 0 0 -
29.999999999999972 19.150000000000006 0 #
coedge $-1 -1 -1 $-1 $2281 $2663 $3154 $3155 reversed $2664 $-1 #
ptlist-eye-attrib $-1 -1 $3156 $-1 $2282 #
vertex $3157 -1 -1 $-1 $3155 $3158 #
straight-curve $-1 -1 -1 $-1 0 0 0 1 0 0 II #
integer_attrib-name_attrib-gen-attrib $-1 -1 $3159 $2283 $1463 lose lose ignore keep @15 VF_ID_NUM_LOCAL 81 #
integer_attrib-name_attrib-gen-attrib $-1 -1 $-1 $2284 $770 lose lose ignore keep @15 VF_ID_NUM_LOCAL 5 #
integer_attrib-name_attrib-gen-attrib $-1 -1 $-1 $2285 $771 lose lose ignore keep @15 VF_ID_NUM_LOCAL 17 #
ptlist-eye-attrib $-1 -1 $3160 $2287 $1467 #
coedge $-1 -1 -1 $-1 $2298 $2288 $3161 $3162 reversed $1470 $-1 #
coedge $-1 -1 -1 $-1 $3154 $3163 $3164 $2679 reversed $3165 $-1 #
edge $3166 -1 -1 $-1 $2682 -9.5750000000000028 $3167 9.5750000000000028 $2288 $3168 forward @7 unknown T -
34.90255361194221 0 47.534981229876706 -34.902553611942167 19.150000000000006 47.534981229876706 #
coedge $-1 -1 -1 $-1 $2289 $3169 $3170 $3171 forward $2318 $-1 #
ptlist-eye-attrib $-1 -1 $3172 $-1 $2290 #
vertex $3173 -1 -1 $-1 $2290 $3174 #
coedge $-1 -1 -1 $-1 $2291 $3175 $3176 $3177 forward $1470 $-1 #

```

edge \$3178 -1 -1 \$-1 \$3179 0.065000000000001279 \$2687 0.26500000000000123 \$2291 \$1473 forward @7 unknown T -
 14.574787690284523 0.80000000000000004 52.415246047219355 -14.574787690284523 1 52.41524604721937 #
 coedge \$-1 -1 -1 \$-1 \$2576 \$2292 \$2181 \$2553 forward \$1824 \$-1 #
 plist-eye-attrb \$-1 -1 \$3180 \$-1 \$2293 #
 vertex \$3181 -1 -1 \$-1 \$2293 \$3182 #
 integer_attrb-name_attrb-gen-attrb \$-1 -1 \$-1 \$2295 \$1896 lose lose ignore keep @15 VF_ID_NUM_LOCAL 115 #
 integer_attrb-name_attrb-gen-attrb \$-1 -1 \$3183 \$-1 \$2296 copy keep_all ignore copy @7 VF_PAIR 33 #
 point \$-1 -1 -1 \$-1 -14.574787690284523 0.60000000000000009 52.41524604721937 #
 coedge \$-1 -1 -1 \$-1 \$3184 \$2297 \$3185 \$3186 forward \$1470 \$-1 #
 coedge \$-1 -1 -1 \$-1 \$3187 \$3188 \$2592 \$2693 reversed \$3189 \$-1 #
 edge \$3190 -1 -1 \$-1 \$2702 -1.0649999999999991 \$3035 -0.9349999999999985 \$2297 \$1473 forward @7 unknown T -
 14.574787690284523 1.9999999999999998 52.415246047219355 -14.574787690284523 2.1300000000000003 52.41524604721937 #
 coedge \$-1 -1 -1 \$-1 \$3191 \$3192 \$3193 \$2695 reversed \$3194 \$-1 #
 edge \$3195 -1 -1 \$-1 \$3196 -1.5714520316378984 \$2701 -1.5674424361400141 \$2298 \$3197 forward @7 unknown T -
 18.366448438385049 2.14999999999995154 51.504948839962601 -14.574787690284438 19.1500000000000205 52.415246047219384 #
 coedge \$-1 -1 -1 \$-1 \$3198 \$2299 \$3192 \$3199 forward \$2699 \$-1 #
 coedge \$-1 -1 -1 \$-1 \$2299 \$3198 \$3200 \$3201 reversed \$2699 \$-1 #
 coedge \$-1 -1 -1 \$-1 \$3193 \$3202 \$1898 \$2300 reversed \$2739 \$-1 #
 loop \$3203 -1 -1 \$-1 \$-1 \$2299 \$3204 T -14.574787690284523 2.129999999999999 0 -8.599999999999943 2.1500000000000328
 52.415246047219377 unknown #
 plist-eye-attrb \$-1 -1 \$3205 \$-1 \$2300 #
 vertex \$3206 -1 -1 \$-1 \$2695 \$3207 #
 vertex \$3208 -1 -1 \$-1 \$3209 \$3210 #
 straight-curve \$-1 -1 -1 \$-1 -14.574787690284523 2.1400000000000148 52.415246047219355 0 -1 0 II #
 fmesh-eye-attrb \$-1 -1 \$3211 \$2301 \$1899 #
 fctd_mark-eye-attrb \$-1 -1 \$3212 \$-1 \$2302 #
 face \$3213 -1 -1 \$-1 \$3214 \$3215 \$221 \$-1 \$3216 forward double in T -44.846720713508006 0 86.284205678655795
 12.52310458995488 19.150000000000002 100.05748214615421 F #
 loop \$3217 -1 -1 \$-1 \$-1 \$3218 \$2302 T -44.846720713508006 19.150000000000002 47.534981229876706 21.862837159370077
 19.150000000000006 100.05748214615421 unknown #
 plane-surface \$-1 -1 -1 \$-1 -11.376178102730506 19.150000000000002 73.237260544252649 0 -1 0 0.2334453638559052 0 -
 0.97236992039767589 forward_v I I I I #
 string_attrb-name_attrb-gen-attrb \$-1 -1 \$3219 \$2303 \$1472 custom custom ignore copy @9 _VF_DATA_ @66
 13:ENTITYTYPE=169:VERSION=236:Information=paired vertex [layering] #
 coedge \$-1 -1 -1 \$-1 \$3220 \$2304 \$3221 \$3222 forward \$1476 \$-1 #
 coedge \$-1 -1 -1 \$-1 \$3223 \$3224 \$2972 \$2712 reversed \$2979 \$-1 #
 edge \$3225 -1 -1 \$-1 \$2715 -0.25999999999999868 \$3226 -0.059999999999998721 \$2304 \$1479 forward @7 unknown T
 1.687868417735416 0.8000000000000004 56.319564344979455 1.687868417735416 1 56.319564344979469 #
 coedge \$-1 -1 -1 \$-1 \$2305 \$2967 \$3223 \$3227 forward \$2170 \$-1 #
 plist-eye-attrb \$-1 -1 \$3228 \$-1 \$2306 #
 vertex \$3229 -1 -1 \$-1 \$2712 \$3230 #
 integer_attrb-name_attrb-gen-attrb \$-1 -1 \$-1 \$2307 \$1904 lose lose ignore keep @15 VF_ID_NUM_LOCAL 117 #
 integer_attrb-name_attrb-gen-attrb \$-1 -1 \$3231 \$-1 \$2308 copy keep_all ignore copy @7 VF_PAIR 32 #
 point \$-1 -1 -1 \$-1 1.687868417735416 0.6000000000000009 56.319564344979469 #
 coedge \$-1 -1 -1 \$-1 \$2309 \$2311 \$3232 \$3027 reversed \$1476 \$-1 #
 coedge \$-1 -1 -1 \$-1 \$3233 \$3234 \$3235 \$2721 reversed \$3236 \$-1 #
 edge \$3237 -1 -1 \$-1 \$3238 -9.5750000000000028 \$2620 9.5750000000000028 \$2309 \$3239 forward @7 unknown T
 21.827642113708748 0 61.154696222063087 21.827642113708748 19.150000000000006 61.154696222063265 #
 coedge \$-1 -1 -1 \$-1 \$3240 \$2310 \$3241 \$3078 forward \$2318 \$-1 #
 coedge \$-1 -1 -1 \$-1 \$3242 \$3243 \$3244 \$2724 reversed \$3245 \$-1 #
 edge \$3246 -1 -1 \$-1 \$2734 -1.5502019467161123 \$3247 -1.5461923512182283 \$2311 \$3248 forward @7 unknown T
 1.687868417735416 2.1499999999999599 56.319564344979455 5.4602337663884839 19.15000000000134 57.225229136680909 #
 coedge \$-1 -1 -1 \$-1 \$2312 \$3249 \$3250 \$3251 forward \$1476 \$-1 #
 coedge \$-1 -1 -1 \$-1 \$3252 \$3253 \$2593 \$2727 reversed \$3254 \$-1 #
 edge \$3255 -1 -1 \$-1 \$3036 0.9400000000000106 \$2733 1.0600000000000009 \$2312 \$1479 forward @7 unknown T
 1.687868417735416 1.9999999999999998 56.319564344979455 1.687868417735416 2.119999999999997 56.319564344979469 #
 coedge \$-1 -1 -1 \$-1 \$3099 \$2313 \$3256 \$3257 reversed \$2731 \$-1 #
 coedge \$-1 -1 -1 \$-1 \$2313 \$3099 \$3242 \$3258 forward \$2731 \$-1 #
 coedge \$-1 -1 -1 \$-1 \$3259 \$3244 \$1907 \$2314 reversed \$2739 \$-1 #
 loop \$3260 -1 -1 \$-1 \$-1 \$2313 \$3261 T 1.687868417735416 2.119999999999997 0 8.599999999999996 2.1500000000000909
 56.319564344979476 unknown #
 plist-eye-attrb \$-1 -1 \$3262 \$-1 \$2314 #
 vertex \$3263 -1 -1 \$-1 \$3264 \$3265 #
 vertex \$3266 -1 -1 \$-1 \$2724 \$3267 #
 straight-curve \$-1 -1 -1 \$-1 1.687868417735416 2.135000000000046 56.319564344979455 0 1 0 II #
 fmesh-eye-attrb \$-1 -1 \$3268 \$2315 \$1908 #
 fctd_mark-eye-attrb \$-1 -1 \$3269 \$-1 \$2316 #
 face \$3270 -1 -1 \$-1 \$3271 \$3272 \$221 \$-1 \$3273 reversed double in T -9.0833465800063493 2.149999999999986 0 3
 2.1500000000000004 55.050165181524932 F #
 loop \$3274 -1 -1 \$-1 \$-1 \$2698 \$2316 T -18.366448438385049 2.119999999999992 51.504948839962601 5.4602337663884839
 19.150000000000205 57.225229136680909 unknown #

```

string_attrib-name_attrib-gen-attrb $-1 -1 $3275 $2317 $1478 custom custom ignore copy @9_VF_DATA_ @66
13:ENTITYTYPE=169:VERSION=236:Information=paired vertex [layering] #
integer_attrib-name_attrib-gen-attrb $-1 -1 $-1 $-1 $2318 lose lose ignore keep @15_VF_ID_NUM_LOCAL 56 #
face $3276 -1 -1 $-1 $1899 $2318 $221 $-1 $3277 reversed single T -44.846720713508006 -1.7763568394002505e-015
47.534981229876706 21.862837159370077 0 100.05748214615421 F #
integer_attrib-name_attrib-gen-attrb $-1 -1 $3278 $2319 $1913 copy keep_all ignore copy @13_VF_PAIR_GROUP 0 #
string_attrib-name_attrib-gen-attrb $-1 -1 $3279 $2323 $1484 custom custom ignore copy @9_VF_DATA_ @66
13:ENTITYTYPE=169:VERSION=236:Information=paired vertex [layering] #
string_attrib-name_attrib-gen-attrb $-1 -1 $-1 $2325 $41 keep keep_ kept ignore copy @10_VF_TR_DATA @16 0,2,2,1,0,-1,0,0 #
string_attrib-name_attrib-gen-attrb $-1 -1 $-1 $2326 $45 keep keep_ kept ignore copy @10_VF_TR_DATA @16 2,2,2,1,0,-1,0,0 #
string_attrib-name_attrib-gen-attrb $-1 -1 $-1 $2327 $49 keep keep_ kept ignore copy @10_VF_TR_DATA @16 4,2,2,1,0,-1,0,0 #
string_attrib-name_attrib-gen-attrb $-1 -1 $-1 $2328 $53 keep keep_ kept ignore copy @10_VF_TR_DATA @16 6,2,2,1,0,-1,0,0 #
string_attrib-name_attrib-gen-attrb $-1 -1 $-1 $2329 $57 keep keep_ kept ignore copy @10_VF_TR_DATA @16 8,2,2,1,0,-1,0,0 #
string_attrib-name_attrib-gen-attrb $-1 -1 $-1 $2330 $61 keep keep_ kept ignore copy @10_VF_TR_DATA @17 10,2,2,1,0,-1,0,0 #
string_attrib-name_attrib-gen-attrb $-1 -1 $-1 $2331 $65 keep keep_ kept ignore copy @10_VF_TR_DATA @17 12,2,2,1,0,-1,0,0 #
string_attrib-name_attrib-gen-attrb $-1 -1 $-1 $2332 $69 keep keep_ kept ignore copy @10_VF_TR_DATA @17 14,2,2,1,0,-1,0,0 #
string_attrib-name_attrib-gen-attrb $-1 -1 $-1 $2333 $73 keep keep_ kept ignore copy @10_VF_TR_DATA @17 16,2,2,1,0,-1,0,0 #
string_attrib-name_attrib-gen-attrb $-1 -1 $-1 $2334 $77 keep keep_ kept ignore copy @10_VF_TR_DATA @17 18,2,2,1,0,-1,0,0 #
string_attrib-name_attrib-gen-attrb $-1 -1 $3280 $2335 $0 keep keep_ kept ignore copy @14_VF_COLOUR_DATA @66
8:NAME=2189:VERSION=29:List=CLCS31:Label=Local Coordinate System12 #
string_attrib-name_attrib-gen-attrb $-1 -1 $-1 $-1 $2338 custom custom ignore copy @9_VF_DATA_ @68
12:ENTITYTYPE=29:VERSION=36:Size=117:MaterialLabel=Air11:Potential=2 #
rgb_color-st-attrb $-1 -1 $3281 $2339 $1105 0.60000002384185791 0.60000002384185791 0.60000002384185791 #
rgb_color-st-attrb $-1 -1 $-1 $2340 $794 0.60000002384185791 0.60000002384185791 0.60000002384185791 #
integer_attrib-name_attrib-gen-attrb $-1 -1 $-1 $-1 $2341 lose lose ignore keep @15_VF_ID_NUM_LOCAL 22 #
ellipse-curve $-1 -1 $-1 $-1 -202.90000000000001 0 0 0 -1 0 232.90000000000001 0 0 1 11 #
cface_ptr-ct-attrb $-1 -1 $-1 $2353 $822 $-1 $791 #
integer_attrib-name_attrib-gen-attrb $-1 -1 $3282 $2354 $1143 lose lose ignore keep @15_VF_ID_NUM_LOCAL 10 #
string_attrib-name_attrib-gen-attrb $-1 -1 $-1 $-1 $2358 custom custom ignore copy @9_VF_DATA_ @89
12:ENTITYTYPE=29:VERSION=36:Size=319:MaterialLabel=ferro11:Potential=516:VolumeLabel=pack #
cface $3283 -1 $3284 $354 $3285 0 #
face $3286 -1 -1 $-1 $3287 $2853 $209 $-1 $3288 reversed single T -3.599559625954754 2.1199999999999992 0 3
2.1499999999999999 55.050165181524925 F #
integer_attrib-name_attrib-gen-attrb $-1 -1 $3289 $-1 $2359 lose lose ignore keep @15_VF_ID_NUM_LOCAL 18 #
loop $-1 -1 -1 $-1 $3290 $2359 T -3.599559625954754 2.11999999999999974 0 8.5999999999999996 2.1200000000000001
56.319564344979455 unknown #
plane-surface $-1 -1 -1 $-1 0 2.1200000000000001 -5 0 -1 0 0 0 -1 forward_v IIII #
real_attrib-name_attrib-gen-attrb $-1 -1 $3291 $2360 $1981 lose lose lose keep @11_VF_FACEAREA 1.7065027400974753 #
coedge $-1 -1 -1 $-1 $3292 $3293 $2418 $2831 forward $2361 $-1 #
string_attrib-name_attrib-gen-attrb $-1 -1 $3294 $2363 $1569 custom custom ignore copy @9_VF_DATA_ @68
12:ENTITYTYPE=49:VERSION=225:Information=External face11:FaceSense=0 #
real_attrib-name_attrib-gen-attrb $-1 -1 $3295 $2364 $1983 lose lose lose keep @11_VF_FACEAREA 1185.005570548271 #
coedge $-1 -1 -1 $-1 $3296 $2367 $3293 $3297 reversed $1984 $-1 #
coedge $-1 -1 -1 $-1 $2367 $3296 $2373 $2782 forward $1984 $-1 #
rgb_color-st-attrb $-1 -1 $3298 $2368 $1172 0.54901963472366333 0.90196079015731812 0.019607843831181526 #
string_attrib-name_attrib-gen-attrb $-1 -1 $3299 $2369 $1571 custom custom ignore copy @9_VF_DATA_ @68
12:ENTITYTYPE=49:VERSION=225:Information=External face11:FaceSense=1 #
string_attrib-name_attrib-gen-attrb $-1 -1 $3300 $2370 $1988 custom custom ignore copy @9_VF_DATA_ @68
12:ENTITYTYPE=49:VERSION=225:Information=External face11:FaceSense=0 #
integer_attrib-name_attrib-gen-attrb $-1 -1 $3301 $-1 $2371 lose lose ignore keep @15_VF_ID_NUM_LOCAL 10 #
loop $-1 -1 -1 $-1 $2413 $2371 T 35.827642113708777 0 0 44 29.149999999999997 61.154696222063087 unknown #
cone-surface $-1 -1 -1 $-1 -188.90000000000001 0 0 0 1 0 232.90000000000001 0 0 1 11 0 232.90000000000001 forward IIII #
coedge $-1 -1 -1 $-1 $2374 $2373 $3302 $3303 forward $1572 $-1 #
edge $3304 -1 -1 $-1 $3305 -1.5707963267948966 $2421 -1.322547037565827 $2774 $3306 reversed @7 unknown T
5.4602337663884271 19.150000000000006 1.4260540990261583e-014 12.599999999999994 19.150000000000006
57.225229136680923 #
coedge $-1 -1 -1 $-1 $3307 $2411 $2374 $2784 reversed $2365 $-1 #
edge $3308 -1 -1 $-1 $3309 0 $2038 0.26569423122201297 $2374 $3310 reversed @7 unknown T 21.827642113708805
19.150000000000006 0 30 19.150000000000006 61.154696222063087 #
cface_ptr-ct-attrb $-1 -1 $-1 $2375 $850 $-1 $632 #
rgb_color-st-attrb $-1 -1 $3311 $2376 $1174 0.54901963472366333 0.90196079015731812 0.019607843831181526 #
string_attrib-name_attrib-gen-attrb $-1 -1 $3312 $2377 $1576 custom custom ignore copy @9_VF_DATA_ @89
12:ENTITYTYPE=49:VERSION=225:Information=External face18:BoundaryLabel=norm11:FaceSense=1 #
coedge $-1 -1 -1 $-1 $2838 $2378 $2820 $3313 reversed $1994 $-1 #
coedge $-1 -1 -1 $-1 $2378 $2838 $2824 $3314 reversed $1994 $-1 #
edge $3315 -1 -1 $-1 $2826 11.404268414718373 $2822 25.40426841471843 $2378 $3316 forward @7 unknown T
21.827642113708748 0 61.154696222063087 35.827642113708805 0 61.154696222063087 #
string_attrib-name_attrib-gen-attrb $-1 -1 $-1 $-1 $2381 custom custom ignore copy @9_VF_DATA_ @89
12:ENTITYTYPE=29:VERSION=36:Size=319:MaterialLabel=ferro11:Potential=516:VolumeLabel=pack #
cface $3317 -1 $2382 $354 $1983 0 #
string_attrib-name_attrib-gen-attrb $-1 -1 $-1 $-1 $2382 custom custom ignore copy @9_VF_DATA_ @89
12:ENTITYTYPE=29:VERSION=36:Size=319:MaterialLabel=ferro11:Potential=516:VolumeLabel=pack #

```

```

string_attrib-name_attrib-gen-attr $-1 -1 $-1 $-1 $2384 custom custom ignore copy @9 _VF_DATA_ @89
12:ENTITYTYPE=29:VERSION=36:Size=319:MaterialLabel=ferro11:Potential=516:VolumeLabel=pack #
cface $3318 -1 $3319 $354 $859 0 #
cface_ptr-ct-attr $-1 -1 $-1 $2385 $859 $-1 $2795 #
coedge $-1 -1 $-1 $2386 $3320 $2391 $2802 reversed $1622 $-1 #
integer_attrib-name_attrib-gen-attr $-1 -1 $-1 $-1 $2387 lose lose ignore keep @15 VF_ID_NUM_LOCAL 5 #
straight-curve $-1 -1 $-1 $-1 -24.817704918032803 71.075245901639335 0 -0.22903933372554727 0.97341716833357594 0 I I #
integer_attrib-name_attrib-gen-attr $-1 -1 $-1 $-1 $2389 lose lose ignore keep @15 VF_ID_NUM_LOCAL 15 #
point $-1 -1 $-1 -12.599999999999994 19.150000000000006 1.4260540990261583e-014 #
edge $3321 -1 -1 $-1 $2394 -1.0749999999999038 $3322 -1.054999999999975 $2797 $3323 forward @7 unknown T -
8.599999999999996 2.129999999999999 0 -8.599999999999943 2.1499999999999062 0 #
face $3324 -1 -1 $-1 $1569 $2392 $209 $-1 $3325 forward single T -14.574787690284523 2.129999999999999 0 -
8.599999999999943 2.1500000000000328 52.415246047219362 F #
integer_attrib-name_attrib-gen-attr $-1 -1 $-1 $-1 $2394 lose lose ignore keep @15 VF_ID_NUM_LOCAL 5 #
point $-1 -1 $-1 -8.599999999999943 2.1499999999999062 0 #
coedge $-1 -1 $-1 $3326 $2398 $3327 $3328 reversed $639 $-1 #
coedge $-1 -1 $-1 $3329 $3330 $2398 $2808 forward $3331 $-1 #
edge $3332 -1 -1 $-1 $3333 -0.009999999999980105 $2813 0.00999999999997868 $2807 $3334 forward @7 unknown T -
9.0833465800063209 2.130000000000008 53.733624414536479 -9.0833465800063209 2.149999999999986 53.733624414536479 #
coedge $-1 -1 $-1 $3335 $2399 $2401 $2815 reversed $2811 $-1 #
coedge $-1 -1 $-1 $2399 $3335 $3329 $3336 forward $2811 $-1 #
loop $-1 -1 $-1 $-1 $2399 $2436 T -14.574787690284527 2.129999999999972 0 -2.799999999999994 2.130000000000008
53.733624414536479 unknown #
integer_attrib-name_attrib-gen-attr $-1 -1 $-1 $-1 $2400 lose lose ignore keep @15 VF_ID_NUM_LOCAL 22 #
vertex $3337 -1 -1 $-1 $2808 $3338 #
straight-curve $-1 -1 $-1 $-1 -45.132830925678505 2.129999999999972 45.078908947349433 -0.97236992039767578 0 -
0.23344536385590517 I I #
edge $3339 -1 -1 $-1 $3322 0 $2403 0.22699920430728354 $2401 $3340 forward @7 unknown T -14.574787690284523
2.129999999999999 0 -8.599999999999943 2.130000000000008 52.415246047219362 #
integer_attrib-name_attrib-gen-attr $-1 -1 $-1 $-1 $2403 lose lose ignore keep @15 VF_ID_NUM_LOCAL 24 #
point $-1 -1 $-1 -14.574787690284523 2.130000000000008 52.415246047219355 #
coedge $-1 -1 $-1 $2413 $2426 $2409 $2819 reversed $2779 $-1 #
edge $3341 -1 -1 $-1 $2416 1.3051020955728836 $2429 1.5707963267948966 $2409 $3342 forward @7 unknown T
35.827642113708777 29.1499999999997 1.4260540990261583e-014 43.9999999999972 29.1499999999997
61.154696222063087 #
coedge $-1 -1 $-1 $2411 $3307 $2788 $3313 forward $2365 $-1 #
integer_attrib-name_attrib-gen-attr $-1 -1 $-1 $-1 $2412 lose lose ignore keep @15 VF_ID_NUM_LOCAL 55 #
vertex $3343 -1 -1 $-1 $2412 $3344 #
straight-curve $-1 -1 $-1 $-1 21.827642113708805 9.575000000000028 61.154696222063087 0 1 0 I I #
coedge $-1 -1 $-1 $2426 $2413 $2789 $3314 forward $2779 $-1 #
integer_attrib-name_attrib-gen-attr $-1 -1 $-1 $-1 $2414 lose lose ignore keep @15 VF_ID_NUM_LOCAL 28 #
vertex $3345 -1 -1 $-1 $3314 $3346 #
straight-curve $-1 -1 $-1 $-1 35.827642113708805 14.57499999999989 61.154696222063087 0 -1 0 I I #
integer_attrib-name_attrib-gen-attr $-1 -1 $-1 $-1 $2416 lose lose ignore keep @15 VF_ID_NUM_LOCAL 34 #
point $-1 -1 $-1 35.827642113708777 29.1499999999997 61.154696222063087 #
coedge $-1 -1 $-1 $2418 $3326 $3290 $3347 reversed $639 $-1 #
edge $3348 -1 -1 $-1 $2833 -0.014999999999686597 $3349 0.015000000000274127 $2770 $3350 forward @7 unknown T
1.687868417735416 2.119999999999992 56.319564344979455 1.687868417735416 2.149999999999599 56.319564344979455 #
integer_attrib-name_attrib-gen-attr $-1 -1 $-1 $-1 $2419 lose lose ignore keep @15 VF_ID_NUM_LOCAL 34 #
vertex $3351 -1 -1 $-1 $2419 $3352 #
ellipse-curve $-1 -1 $-1 $-1 -232.8999999999998 -34.39999999999849 0 0.23344536385590536 0 -0.97236992039767656
945.93845603790157 4239.7673870500294 227.09973069174026 0.052188592540996323 I I #
integer_attrib-name_attrib-gen-attr $-1 -1 $-1 $-1 $2421 lose lose ignore keep @15 VF_ID_NUM_LOCAL 39 #
point $-1 -1 $-1 5.4602337663884839 19.150000000000006 57.225229136680909 #
coedge $-1 -1 $-1 $3302 $2425 $3307 $3353 reversed $1622 $-1 #
coedge $-1 -1 $-1 $2789 $2788 $2425 $2839 forward $1994 $-1 #
edge $3354 -1 -1 $-1 $3355 5 $2841 19 $2838 $3356 forward @7 unknown T 30 0 0 44 0 0 #
integer_attrib-name_attrib-gen-attr $-1 -1 $-1 $-1 $2427 lose lose ignore keep @15 VF_ID_NUM_LOCAL 40 #
vertex $3357 -1 -1 $-1 $2839 $3358 #
straight-curve $-1 -1 $-1 $-1 44 0 0 0 -1 0 I I #
integer_attrib-name_attrib-gen-attr $-1 -1 $-1 $-1 $2429 lose lose ignore keep @15 VF_ID_NUM_LOCAL 23 #
point $-1 -1 $-1 43.99999999999972 29.1499999999997 1.4260540990261583e-014 #
coedge $-1 -1 $-1 $3320 $2431 $3359 $3360 forward $1622 $-1 #
coedge $-1 -1 $-1 $3361 $3362 $2431 $2847 reversed $3363 $-1 #
edge $3364 -1 -1 $-1 $2856 -2.950000000000002 $3365 2.84999999999996 $2431 $3366 forward @7 unknown T -
2.799999999999998 2.149999999999999 0 3 2.149999999999999 0 #
coedge $-1 -1 $-1 $2432 $3367 $3368 $3369 reversed $1622 $-1 #
coedge $-1 -1 $-1 $3370 $3371 $2432 $2850 reversed $2767 $-1 #
edge $3372 -1 -1 $-1 $3373 -8.599999999999996 $2855 -3 $2432 $3374 forward @7 unknown T 3 2.120000000000001 0
8.599999999999996 2.120000000000001 0 #
coedge $-1 -1 $-1 $3375 $2433 $3371 $3376 reversed $2853 $-1 #
coedge $-1 -1 $-1 $2433 $3375 $3361 $3377 reversed $2853 $-1 #

```

```

loop $-1 -1 -1 $-1 $-1 $3375 $2765 T -3.599559625954754 2.119999999999992 0 3 2.149999999999999 55.050165181524925
unknown #
integer_attr-name_attr-gen-attr $-1 -1 -1 $-1 $2434 lose lose ignore keep @15 VF_ID_NUM_LOCAL 27 #
vertex $3378 -1 -1 $-1 $3376 $3379 #
vertex $3380 -1 -1 $-1 $2847 $3381 #
straight-curve $-1 -1 -1 $-1 3 1.0750000000000002 0 0 1 0 II #
integer_attr-name_attr-gen-attr $-1 -1 $3382 $2435 $2044 lose lose ignore keep @15 VF_ID_NUM_LOCAL 23 #
integer_attr-name_attr-gen-attr $-1 -1 $3383 $-1 $2436 lose lose ignore keep @15 VF_ID_NUM_LOCAL 20 #
plane-surface $-1 -1 -1 $-1 -5.699999999999993 2.129999999999999 -5 0 -1 0 0 0 -1 forward_v IIII #
rgb_color-st-attr $-1 -1 $3384 $2442 $1226 0.60000002384185791 0.60000002384185791 0.60000002384185791 #
rgb_color-st-attr $-1 -1 $-1 $2445 $894 0.60000002384185791 0.60000002384185791 0.60000002384185791 #
string_attr-name_attr-gen-attr $-1 -1 $-1 $2453 custom custom ignore copy @9 _VF_DATA_ @68
12:ENTITYTYPE=29:VERSION=36:Size=617:MaterialLabel=Air11:Potential=5 #
cface $3385 -1 $3386 $366 $1289 0 #
real_attr-name_attr-gen-attr $-1 -1 $3387 $2454 $1693 lose lose lose keep @11 VF_FACEAREA 435.00768859466052 #
coedge $-1 -1 -1 $-1 $2455 $2457 $2911 $3388 reversed $2087 $-1 #
coedge $-1 -1 -1 $-1 $2926 $2491 $2455 $2868 forward $2463 $-1 #
edge $3389 -1 -1 $-1 $2919 1.3051020955728836 $3390 1.5707963267948966 $2455 $3391 forward @7 unknown T
35.827642113708777 29.14999999999997 0 44 29.15000000000002 61.154696222063087 #
rgb_color-st-attr $-1 -1 $3392 $2456 $1287 0.60000002384185791 0.60000002384185791 0.60000002384185791 #
integer_attr-name_attr-gen-attr $-1 -1 $-1 $2458 lose lose ignore keep @15 VF_ID_NUM_LOCAL 6 #
vertex $3393 -1 -1 $-1 $3388 $3394 #
ellipse-curve $-1 -1 -1 $-1 -193.89999999999998 34.14999999999999 0 0 1 0 0 0 232.90000000000001 0.9999999999999978 II #
rgb_color-st-attr $-1 -1 $-1 $2459 $943 0.60000002384185791 0.60000002384185791 0.60000002384185791 #
cface_ptr-ct-attr $-1 -1 $3395 $2460 $1289 $-1 $2864 #
string_attr-name_attr-gen-attr $-1 -1 $3396 $2461 $1699 custom custom ignore copy @9 _VF_DATA_ @68
12:ENTITYTYPE=49:VERSION=225:Information=External face11:FaceSense=1 #
string_attr-name_attr-gen-attr $-1 -1 $3397 $2462 $2094 custom custom ignore copy @9 _VF_DATA_ @87
12:ENTITYTYPE=49:VERSION=225:Information=External face16:FaceDirection=-111:FaceSense=1 #
integer_attr-name_attr-gen-attr $-1 -1 $-1 $2465 lose lose ignore keep @15 VF_ID_NUM_LOCAL 15 #
ellipse-curve $-1 -1 -1 $-1 -276.89999999999998 29.14999999999999 0 -1.8305094094291976e-016 1 0 0 0 232.90000000000001
0.9999999999999989 II #
integer_attr-name_attr-gen-attr $-1 -1 $-1 $2466 lose lose ignore keep @15 VF_ID_NUM_LOCAL 31 #
straight-curve $-1 -1 -1 $-1 -155.44999999999999 -82.29999999999969 0 -0.70710678118654757 -0.70710678118654757 0 II #
integer_attr-name_attr-gen-attr $-1 -1 $-1 $2468 lose lose ignore keep @15 VF_ID_NUM_LOCAL 24 #
point $-1 -1 -1 $-1 -39 34.14999999999999 0 #
cface_ptr-ct-attr $-1 -1 $-1 $2471 $946 $-1 $2917 #
integer_attr-name_attr-gen-attr $-1 -1 $3398 $2472 $1295 lose lose ignore keep @15 VF_ID_NUM_LOCAL 1 #
string_attr-name_attr-gen-attr $-1 -1 $3399 $2473 $1707 custom custom ignore copy @9 _VF_DATA_ @89
12:ENTITYTYPE=49:VERSION=225:Information=External face18:BoundaryLabel=tang11:FaceSense=1 #
rgb_color-st-attr $-1 -1 $3400 $2474 $2104 0.60000002384185791 0.60000002384185791 0.60000002384185791 #
real_attr-name_attr-gen-attr $-1 -1 $3401 $-1 $2475 lose lose lose keep @11 VF_FACEAREA 12800 #
loop $-1 -1 -1 $-1 $2900 $2475 T 80 0 0 80 80 160 unknown #
plane-surface $-1 -1 -1 $-1 80 40 80 -1 0 0 0 1 forward_v IIII #
coedge $-1 -1 -1 $-1 $3402 $2896 $2901 $3403 forward $2476 $-1 #
coedge $-1 -1 -1 $-1 $2935 $2478 $2483 $2907 reversed $2105 $-1 #
coedge $-1 -1 -1 $-1 $2478 $2935 $2895 $3404 reversed $2105 $-1 #
coedge $-1 -1 -1 $-1 $2896 $3402 $2478 $2894 reversed $2476 $-1 #
edge $3405 -1 -1 $-1 $3406 -80 $3407 80 $2893 $3408 forward @7 unknown T -80 80 0 -80 80 160 #
coedge $-1 -1 -1 $-1 $2480 $2479 $2892 $3404 forward $1708 $-1 #
coedge $-1 -1 -1 $-1 $2890 $2893 $2479 $2897 reversed $2476 $-1 #
edge $3409 -1 -1 $-1 $2904 -80 $3406 80 $2896 $3410 forward @7 unknown T -80 80 160 80 80 160 #
coedge $-1 -1 -1 $-1 $2507 $2923 $2480 $2899 reversed $1310 $-1 #
edge $3411 -1 -1 $-1 $3412 -80 $2903 80 $2898 $3413 forward @7 unknown T -80 0 160 80 0 160 #
coedge $-1 -1 -1 $-1 $3414 $2481 $2923 $3415 forward $2888 $-1 #
coedge $-1 -1 -1 $-1 $2481 $3414 $2890 $3403 reversed $2888 $-1 #
integer_attr-name_attr-gen-attr $-1 -1 $-1 $2482 lose lose ignore keep @15 VF_ID_NUM_LOCAL 1 #
vertex $3416 -1 -1 $-1 $2482 $3417 #
vertex $3418 -1 -1 $-1 $2482 $3419 #
straight-curve $-1 -1 -1 $-1 80 40 160 0 1 0 II #
coedge $-1 -1 -1 $-1 $3420 $2483 $3402 $3421 forward $1296 $-1 #
edge $3422 -1 -1 $-1 $2909 -40 $3407 40 $2891 $3423 forward @7 unknown T -80 0 0 -80 80 0 #
integer_attr-name_attr-gen-attr $-1 -1 $-1 $2484 lose lose ignore keep @15 VF_ID_NUM_LOCAL 23 #
vertex $3424 -1 -1 $-1 $2907 $3425 #
straight-curve $-1 -1 -1 $-1 0 0 0 -1 0 0 II #
coedge $-1 -1 -1 $-1 $2485 $3426 $2866 $3388 forward $1296 $-1 #
integer_attr-name_attr-gen-attr $-1 -1 $-1 $2487 lose lose ignore keep @15 VF_ID_NUM_LOCAL 23 #
point $-1 -1 -1 $-1 -44 29.15000000000002 0 #
integer_attr-name_attr-gen-attr $-1 -1 $-1 $2488 lose lose ignore keep @15 VF_ID_NUM_LOCAL 18 #
point $-1 -1 -1 $-1 -43.99999999999972 0 0 #
string_attr-name_attr-gen-attr $-1 -1 $-1 $2490 custom custom ignore copy @9 _VF_DATA_ @68
12:ENTITYTYPE=29:VERSION=36:Size=617:MaterialLabel=Air11:Potential=5 #

```

```

cface $3427 -1 $3428 $366 $946 0 #
integer_attrib-name_attrib-gen-attrib $-1 -1 $-1 $-1 $2492 lose lose ignore keep @15 VF_ID_NUM_LOCAL 36 #
vertex $3429 -1 -1 $-1 $2868 $3430 #
straight-curve $-1 -1 -1 $-1 35.827642113708805 14.574999999999989 61.154696222063087 0 -1 0 11 #
integer_attrib-name_attrib-gen-attrib $-1 -1 $-1 $-1 $2494 lose lose ignore keep @15 VF_ID_NUM_LOCAL 14 #
point $-1 -1 -1 $-1 35.827642113708805 0 61.154696222063087 #
coedge $-1 -1 -1 $-1 $2898 $2496 $2900 $3415 reversed $1310 $-1 #
coedge $-1 -1 -1 $-1 $3426 $3420 $2496 $2925 forward $1296 $-1 #
edge $3431 -1 -1 $-1 $3432 -80 $2928 -44 $2496 $3433 forward @7 unknown T 44 0 0 80 0 0 #
coedge $-1 -1 -1 $-1 $2497 $2867 $3426 $3434 reversed $2463 $-1 #
integer_attrib-name_attrib-gen-attrib $-1 -1 $-1 $-1 $2498 lose lose ignore keep @15 VF_ID_NUM_LOCAL 24 #
vertex $3435 -1 -1 $-1 $2498 $3436 #
ellipse-curve $-1 -1 -1 $-1 -188.90000000000001 0 0 0 1 0 232.90000000000001 0 0 1 11 #
string_attrib-name_attrib-gen-attrib $-1 -1 $3437 $2499 $1724 custom custom ignore copy @9 _VF_DATA_ @89
12:ENTITYTYPE=49:VERSION=225:Information=External face18:BoundaryLabel=norm11:FaceSense=1 #
integer_attrib-name_attrib-gen-attrib $-1 -1 $-1 $-1 $2501 lose lose ignore keep @15 VF_ID_NUM_LOCAL 32 #
straight-curve $-1 -1 -1 $-1 -76.536178943145629 141.5138210568544 61.154696222063095 0.70710678118654757 -
0.70710678118654757 0 11 #
integer_attrib-name_attrib-gen-attrib $-1 -1 $-1 $-1 $2503 lose lose ignore keep @15 VF_ID_NUM_LOCAL 21 #
point $-1 -1 -1 $-1 30.827642113708777 34.149999999999999 61.154696222063087 #
coedge $-1 -1 -1 $-1 $2892 $2891 $2507 $2936 reversed $2105 $-1 #
edge $3438 -1 -1 $-1 $3412 -80 $2909 80 $2935 $3439 forward @7 unknown T -80 0 0 -80 0 160 #
integer_attrib-name_attrib-gen-attrib $-1 -1 $-1 $-1 $2510 lose lose ignore keep @15 VF_ID_NUM_LOCAL 35 #
straight-curve $-1 -1 -1 $-1 -12.5 34.149999999999999 0 -1 0 0 11 #
cface_ptr-ct-attrib $-1 -1 $-1 $2516 $993 $-1 $1343 #
cface_ptr-ct-attrib $-1 -1 $-1 $2517 $1021 $-1 $1760 #
string_attrib-name_attrib-gen-attrib $-1 -1 $3440 $2518 $40 keep keep_kept ignore copy @14 VF_COLOUR_DATA @41
8:NAME=1949:VERSION=29:List=Size7:Label=3 #
string_attrib-name_attrib-gen-attrib $-1 -1 $-1 $2520 $2161 custom custom ignore copy @9 _VF_DATA_ @86
12:ENTITYTYPE=29:VERSION=38:Size=0.517:MaterialLabel=Air11:Potential=213:ElementType=7 #
integer_attrib-name_attrib-gen-attrib $-1 -1 $3441 $-1 $2521 lose lose ignore keep @15 VF_ID_NUM_LOCAL 15 #
cell3d-cell $3442 -1 $3443 $127 $-1 1 $3444 #
cshell $-1 -1 $-1 $3445 $2521 #
cface $3446 -1 $3447 $2522 $3448 0 #
string_attrib-name_attrib-gen-attrib $-1 -1 $-1 $-1 $2523 custom custom ignore copy @9 _VF_DATA_ @86
12:ENTITYTYPE=29:VERSION=38:Size=0.517:MaterialLabel=Air11:Potential=213:ElementType=7 #
cface $3449 -1 $3450 $2162 $3451 0 #
string_attrib-name_attrib-gen-attrib $-1 -1 $-1 $-1 $2525 custom custom ignore copy @9 _VF_DATA_ @86
12:ENTITYTYPE=29:VERSION=38:Size=0.517:MaterialLabel=Air11:Potential=213:ElementType=7 #
cface $3452 -1 $3453 $1794 $3454 1 #
fctd_mark-eye-attrib $-1 -1 $3455 $-1 $2526 #
loop $3456 -1 -1 $-1 $-1 $3457 $2526 T 1.687868417735416 1 0 8.599999999999996 1.2000000000000002 56.319564344979476
unknown #
string_attrib-name_attrib-gen-attrib $-1 -1 $-1 $-1 $2528 custom custom ignore copy @9 _VF_DATA_ @86
12:ENTITYTYPE=29:VERSION=38:Size=0.517:MaterialLabel=Air11:Potential=213:ElementType=7 #
cface $3458 -1 $3459 $1393 $3460 0 #
fctd_mark-eye-attrib $-1 -1 $3461 $-1 $2529 #
loop $3462 -1 -1 $-1 $-1 $3463 $2529 T -14.574787690284527 1.1999999999999993 52.415246047219355 1.687868417735416
1.3999999999999999 56.319564344979469 unknown #
fmesh-eye-attrib $-1 -1 $3464 $2530 $2166 #
integer_attrib-name_attrib-gen-attrib $-1 -1 $3465 $-1 $2531 copy keep_all ignore copy @7 VF_PAIR 4 #
face $3466 -1 -1 $-1 $3451 $3467 $221 $-1 $577 forward double in T 1.687868417735416 1.2 0 8.599999999999996
1.3999999999999999 56.319564344979476 F #
loop $3468 -1 -1 $-1 $-1 $3469 $2531 T -14.574787690284527 1.399999999999998 0 8.599999999999996 1.399999999999999
56.319564344979476 unknown #
plane-surface $-1 -1 -1 $-1 0 1.3999999999999999 -5 0 1 0 0 1 forward_v IIII #
integer_attrib-name_attrib-gen-attrib $-1 -1 $-1 $-1 $2532 lose lose ignore keep @15 VF_ID_NUM_LOCAL 26 #
coedge $-1 -1 -1 $-1 $3470 $3471 $3472 $3473 reversed $2532 $-1 #
string_attrib-name_attrib-gen-attrib $-1 -1 $-1 $-1 $2534 custom custom ignore copy @9 _VF_DATA_ @86
12:ENTITYTYPE=29:VERSION=38:Size=0.517:MaterialLabel=Air11:Potential=213:ElementType=7 #
cface $3474 -1 $3475 $1030 $1405 0 #
integer_attrib-name_attrib-gen-attrib $-1 -1 $3476 $2535 $1798 lose lose ignore keep @15 VF_ID_NUM_LOCAL 62 #
coedge $-1 -1 -1 $-1 $2713 $2537 $2266 $2652 forward $2170 $-1 #
string_attrib-name_attrib-gen-attrib $-1 -1 $-1 $-1 $2539 custom custom ignore copy @9 _VF_DATA_ @86
12:ENTITYTYPE=29:VERSION=38:Size=0.517:MaterialLabel=Air11:Potential=213:ElementType=7 #
cface $3477 -1 $-1 $748 $2546 0 #
integer_attrib-name_attrib-gen-attrib $-1 -1 $3478 $2540 $1801 lose lose ignore keep @15 VF_ID_NUM_LOCAL 63 #
coedge $-1 -1 -1 $-1 $3479 $2542 $2291 $2684 reversed $2174 $-1 #
coedge $-1 -1 -1 $-1 $2542 $3479 $2304 $2712 reversed $2174 $-1 #
edge $3480 -1 -1 $-1 $2687 28.655101678824138 $2715 45.37986430966415 $2578 $3481 forward @7 unknown T -
14.574787690284527 0.8000000000000004 52.415246047219362 1.687868417735416 0.8000000000000001 56.319564344979469
#

```

```

string_attrib-name_attrib-gen-attrb $-1 -1 $3482 $2543 $1397 custom custom ignore copy @9_VF_DATA_@68
12:ENTITYTYPE=49:VERSION=225:Information=Internal face11:FaceSense=0 #
fctd_mark-eye-attrb $-1 -1 $3483 $2544 $1803 #
fmesh-eye-attrb $-1 -1 $3484 $2545 $2177 #
fctd_mark-eye-attrb $-1 -1 $3485 $-1 $2546 #
face $3486 -1 -1 $-1 $3487 $3488 $221 $-1 $762 reversed double in T -14.574787690284527 1 52.415246047219355
1.687868417735416 1.2 56.319564344979469 F #
loop $3489 -1 -1 $-1 $-1 $3223 $2546 T 1.687868417735416 0.79999999999999982 0 8.5999999999999996 1 56.319564344979476
unknown #
integer_attrib-name_attrib-gen-attrb $-1 -1 $-1 $-1 $2547 lose lose ignore keep @15_VF_ID_NUM_LOCAL 34 #
coedge $-1 -1 -1 $-1 $3490 $3491 $3492 $3493 reversed $2547 $-1 #
coedge $-1 -1 -1 $-1 $3492 $2549 $2986 $3494 forward $2178 $-1 #
coedge $-1 -1 -1 $-1 $2549 $3492 $3224 $3495 forward $2178 $-1 #
coedge $-1 -1 -1 $-1 $3496 $3497 $3479 $2985 reversed $3488 $-1 #
edge $3498 -1 -1 $-1 $3179 28.655101678824138 $3226 45.37986430966415 $3479 $3499 forward @7 unknown T -
14.574787690284527 1 52.415246047219362 1.687868417735416 1 56.319564344979469 #
coedge $-1 -1 -1 $-1 $2551 $2550 $3500 $3494 forward $1804 $-1 #
edge $3501 -1 -1 $-1 $3502 0.075000000000002398 $2990 0.27500000000000235 $3117 $1445 forward @7 unknown T -
8.5999999999999996 0.8000000000000004 0 -8.5999999999999943 1 0 #
coedge $-1 -1 -1 $-1 $3007 $2552 $3118 $3503 forward $2202 $-1 #
integer_attrib-name_attrib-gen-attrb $-1 -1 $3504 $-1 $2553 copy keep_all ignore copy @7_VF_PAIR 29 #
vertex $3505 -1 -1 $-1 $2643 $3506 #
ellipse-curve $-1 -1 -1 $-1 -241.5 0.8000000000000004 0 0 1 0 232.90000000000001 0 0 1 1 1 #
string_attrib-name_attrib-gen-attrb $-1 -1 $-1 $-1 $2555 custom custom ignore copy @9_VF_DATA_@86
12:ENTITYTYPE=29:VERSION=38:Size=0.517:MaterialLabel=Air11:Potential=213:ElementType=7 #
real_attrib-name_attrib-gen-attrb $-1 -1 $3507 $2556 $1034 lose lose lose keep @11_VF_FACEAREA 11.3766849339986 #
string_attrib-name_attrib-gen-attrb $-1 -1 $3508 $2557 $1401 custom custom ignore copy @9_VF_DATA_@68
12:ENTITYTYPE=49:VERSION=225:Information=Internal face11:FaceSense=1 #
integer_attrib-name_attrib-gen-attrb $-1 -1 $3509 $2558 $1809 lose lose ignore keep @15_VF_ID_NUM_LOCAL 54 #
fmesh-eye-attrb $-1 -1 $3510 $2561 $1405 #
integer_attrib-name_attrib-gen-attrb $-1 -1 $3511 $2562 $1815 lose lose ignore keep @15_VF_ID_NUM_LOCAL 56 #
coedge $-1 -1 -1 $-1 $2566 $2565 $2255 $2636 forward $1816 $-1 #
real_attrib-name_attrib-gen-attrb $-1 -1 $3512 $2567 $1037 lose lose lose keep @11_VF_FACEAREA 3.4400000000000031 #
cface_ptr-ct-attrb $-1 -1 $3513 $2568 $752 $3514 $569 #
real_attrib-name_attrib-gen-attrb $-1 -1 $3515 $2569 $1039 lose lose lose keep @11_VF_FACEAREA 3.3449525261679902 #
string_attrib-name_attrib-gen-attrb $-1 -1 $3516 $2570 $1410 custom custom ignore copy @9_VF_DATA_@68
12:ENTITYTYPE=49:VERSION=225:Information=Internal face11:FaceSense=0 #
fctd_mark-eye-attrb $-1 -1 $3517 $2571 $1823 #
fmesh-eye-attrb $-1 -1 $3518 $2572 $2201 #
integer_attrib-name_attrib-gen-attrb $-1 -1 $-1 $-1 $2573 lose lose ignore keep @15_VF_ID_NUM_LOCAL 39 #
coedge $-1 -1 -1 $-1 $3117 $3136 $2988 $3503 reversed $2573 $-1 #
coedge $-1 -1 -1 $-1 $2575 $2988 $2713 $3227 forward $2202 $-1 #
integer_attrib-name_attrib-gen-attrb $-1 -1 $3519 $-1 $2577 copy keep_all ignore copy @7_VF_PAIR 33 #
ellipse-curve $-1 -1 -1 $-1 -241.5 0.6000000000000009 0 0 1 0 232.90000000000001 0 0 1 1 1 #
integer_attrib-name_attrib-gen-attrb $-1 -1 $3520 $2579 $2209 copy keep_all ignore copy @13_VF_PAIR_GROUP 0 #
integer_attrib-name_attrib-gen-attrb $-1 -1 $3521 $-1 $2581 copy keep_all ignore copy @7_VF_PAIR 32 #
ellipse-curve $-1 -1 -1 $-1 -224.30000000000001 0.6000000000000009 0 0 -1 0 232.90000000000001 0 0 1 1 1 #
ptlist-eye-attrb $-1 -1 $3522 $2582 $1830 #
string_attrib-name_attrib-gen-attrb $-1 -1 $3523 $2583 $1043 custom custom ignore copy @9_VF_DATA_@175
12:ENTITYTYPE=49:VERSION=225:Information=External face34:Information=paired face
[layering]13:ElementType=718:BoundaryLabel=norm13:BackLayers=1014:BackOffset=0.211:FaceSense=1 #
real_attrib-name_attrib-gen-attrb $-1 -1 $3524 $2584 $1417 lose lose lose keep @11_VF_FACEAREA 2.2326346251011633 #
integer_attrib-name_attrib-gen-attrb $-1 -1 $3525 $2585 $1835 lose lose ignore keep @15_VF_ID_NUM_LOCAL 28 #
fmesh-eye-attrb $-1 -1 $3526 $2586 $2218 #
fctd_mark-eye-attrb $-1 -1 $3527 $-1 $2587 #
face $3528 -1 -1 $-1 $3529 $3530 $221 $-1 $3531 forward single T -80 0 160 80 80 160 F #
loop $3532 -1 -1 $-1 $-1 $3533 $2587 T -80 0 0 80 80 0 unknown #
plane-surface $-1 -1 -1 $-1 0 40 0 0 0 1 1 0 0 forward_v 1 1 1 1 #
integer_attrib-name_attrib-gen-attrb $-1 -1 $-1 $-1 $2588 lose lose ignore keep @15_VF_ID_NUM_LOCAL 71 #
coedge $-1 -1 -1 $-1 $3534 $3535 $3536 $3537 forward $2588 $-1 #
coedge $-1 -1 -1 $-1 $3538 $2591 $3539 $3540 forward $2219 $-1 #
coedge $-1 -1 -1 $-1 $2591 $3541 $3542 $3543 reversed $2219 $-1 #
coedge $-1 -1 -1 $-1 $3544 $3545 $2719 $3027 forward $3546 $-1 #
edge $3547 -1 -1 $-1 $3238 -62.490777396251836 $3247 -45.658285970944867 $3232 $3548 forward @7 unknown T
5.4602337663884342 19.150000000000002 57.225229136680902 21.827642113708748 19.150000000000006 61.154696222063265 #
coedge $-1 -1 -1 $-1 $3549 $2592 $3202 $3209 reversed $1836 $-1 #
coedge $-1 -1 -1 $-1 $2593 $3550 $3259 $3264 reversed $1836 $-1 #
coedge $-1 -1 -1 $-1 $3050 $2594 $2725 $3251 reversed $3033 $-1 #
coedge $-1 -1 -1 $-1 $2594 $3050 $2691 $3186 reversed $3033 $-1 #
coedge $-1 -1 -1 $-1 $3551 $3552 $2222 $2595 reversed $3553 $-1 #
loop $3554 -1 -1 $-1 $-1 $3050 $3555 T -14.574787690284527 1.7999999999999998 52.415246047219355 1.687868417735416 2
56.319564344979469 unknown #

```



```

integer_attr-name_attr-gen-attr $-1 -1 $3556 $-1 $2595 copy keep_all ignore copy @7 VF_PAIR 3 #
vertex $3557 -1 -1 $-1 $3186 $3558 #
vertex $3559 -1 -1 $-1 $2727 $3560 #
straight-curve $-1 -1 $-1 -42.438146628710079 2 45.725845409478296 0.97236992039767645 0 0.23344536385590534 11 #
rgb_color-st-attr $-1 -1 $3561 $2596 $755 0.60000002384185791 0.60000002384185791 0.60000002384185791 #
real_attr-name_attr-gen-attr $-1 -1 $3562 $2597 $1045 lose lose lose keep @11 VF_FACEAREA 3.4400000000000022 #
string_attr-name_attr-gen-attr $-1 -1 $3563 $2598 $1422 custom custom ignore copy @9 _VF_DATA_ @68
12:ENTITYTYPE=49:VERSION=225:Information=Internal face11:FaceSense=0 #
fctd_mark-eye-attr $-1 -1 $3564 $2599 $1842 #
fmesh-eye-attr $-1 -1 $3565 $2600 $2227 #
fctd_mark-eye-attr $-1 -1 $3566 $-1 $2601 #
face $3567 -1 -1 $-1 $3555 $3568 $221 $-1 $1054 forward double in T -14.574787690284523 1.7999999999999998 0 -
8.5999999999999943 1.9999999999999998 52.415246047219377 F #
loop $3569 -1 -1 $-1 $-1 $3570 $2601 T -8.5999999999999996 1.7999999999999998 0 8.5999999999999996 2 0 unknown #
integer_attr-name_attr-gen-attr $-1 -1 $-1 $-1 $2602 lose lose ignore keep @15 VF_ID_NUM_LOCAL 14 #
coedge $-1 -1 $-1 $3571 $3572 $3573 $3574 reversed $2602 $-1 #
coedge $-1 -1 $-1 $3575 $2604 $3576 $3577 forward $2228 $-1 #
coedge $-1 -1 $-1 $2604 $3575 $3052 $3578 forward $2228 $-1 #
coedge $-1 -1 $-1 $3031 $3030 $3579 $3051 reversed $3033 $-1 #
edge $3580 -1 -1 $-1 $3581 28.655101678824138 $3582 45.37986430966415 $3579 $3583 forward @7 unknown T -
14.574787690284527 1.7999999999999998 52.415246047219362 1.687868417735416 1.8000000000000007 56.319564344979469 #
coedge $-1 -1 $-1 $2606 $2605 $3584 $3578 forward $1843 $-1 #
coedge $-1 -1 $-1 $3095 $3585 $3586 $3054 forward $1857 $-1 #
edge $3587 -1 -1 $-1 $3062 0.52499999999994373 $3588 0.72499999999994369 $3586 $1450 forward @7 unknown T
8.5999999999999943 1.5999999999999999 0 8.5999999999999996 1.7999999999999998 0 #
coedge $-1 -1 $-1 $3589 $3579 $3249 $3056 reversed $3590 $-1 #
edge $3591 -1 -1 $-1 $3063 0.5400000000000115 $3582 0.740000000000011 $3249 $1479 forward @7 unknown T
1.687868417735416 1.5999999999999999 56.319564344979455 1.687868417735416 1.7999999999999998 56.319564344979469 #
coedge $-1 -1 $-1 $3592 $2607 $3589 $3593 reversed $3060 $-1 #
coedge $-1 -1 $-1 $2607 $3592 $3594 $3595 forward $3060 $-1 #
coedge $-1 -1 $-1 $3572 $3571 $2231 $2608 forward $2602 $-1 #
loop $3596 -1 -1 $-1 $-1 $3057 $3597 T -14.574787690284527 1.5999999999999996 0 8.5999999999999996 1.6000000000000014
56.319564344979476 unknown #
integer_attr-name_attr-gen-attr $-1 -1 $3598 $-1 $2608 copy keep_all ignore copy @7 VF_PAIR 12 #
vertex $3599 -1 -1 $-1 $3054 $3600 #
vertex $3601 -1 -1 $-1 $3056 $3602 #
ellipse-curve $-1 -1 $-1 -224.30000000000001 1.5999999999999996 0 0 -1 0 232.90000000000001 0 0 1 11 #
rgb_color-st-attr $-1 -1 $-1 $2609 $311 0.60000002384185791 0.60000002384185791 0.60000002384185791 #
string_attr-name_attr-gen-attr $-1 -1 $-1 $-1 $2611 custom custom ignore copy @9 _VF_DATA_ @68
12:ENTITYTYPE=29:VERSION=36:Size=117:MaterialLabel=Air11:Potential=2 #
cface $3603 -1 $3604 $3068 $2633 0 #
cshell $-1 -1 $-1 $3605 $3606 #
rgb_color-st-attr $-1 -1 $-1 $2612 $575 0.60000002384185791 0.60000002384185791 0.60000002384185791 #
cface $3607 -1 $3608 $3444 $575 0 #
rgb_color-st-attr $-1 -1 $3609 $2613 $760 0.60000002384185791 0.60000002384185791 0.60000002384185791 #
string_attr-name_attr-gen-attr $-1 -1 $3610 $2614 $1052 custom custom ignore copy @9 _VF_DATA_ @105
12:ENTITYTYPE=49:VERSION=225:Information=Internal face34:Information=paired face [layering]11:FaceSense=1 #
integer_attr-name_attr-gen-attr $-1 -1 $-1 $-1 $2616 lose lose ignore keep @15 VF_ID_NUM_LOCAL 96 #
ptlist-eye-attr $-1 -1 $3611 $2617 $1853 #
string_attr-name_attr-gen-attr $-1 -1 $3612 $2618 $1855 custom custom ignore copy @9 _VF_DATA_ @66
13:ENTITYTYPE=169:VERSION=236:Information=paired vertex [layering] #
integer_attr-name_attr-gen-attr $-1 -1 $-1 $2619 $2244 lose lose ignore keep @15 VF_ID_NUM_LOCAL 16 #
integer_attr-name_attr-gen-attr $-1 -1 $-1 $-1 $2620 lose lose ignore keep @15 VF_ID_NUM_LOCAL 15 #
edge $3613 -1 -1 $-1 $2620 5.2838206366468228 $3614 5.3190156823081516 $2722 $3615 forward @7 unknown T
21.827642113708748 0 61.15469622206308 21.862837159370077 0 61.154696222063087 #
point $-1 -1 $-1 $21.827642113708748 0 61.154696222063087 #
coedge $-1 -1 $-1 $3093 $2622 $3616 $3081 reversed $3084 $-1 #
edge $3617 -1 -1 $-1 $3618 -5.225000000000005 $3086 12.175000000000001 $3616 $3619 reversed @7 unknown T
12.599999999999994 19.150000000000006 0 30 19.150000000000006 1.4260540990261583e-014 #
coedge $-1 -1 $-1 $2622 $3620 $3621 $3622 reversed $3084 $-1 #
coedge $-1 -1 $-1 $3234 $3233 $2246 $2623 forward $3236 $-1 #
loop $3623 -1 -1 $-1 $-1 $3624 $3625 T -44 0 0 44 34.15000000000002 1.4260540990261583e-014 unknown #
ptlist-eye-attr $-1 -1 $3626 $-1 $2623 #
vertex $3627 -1 -1 $-1 $3628 $3629 #
straight-curve $-1 -1 $-1 30 19.150000000000006 0 0 1 0 11 #
coedge $-1 -1 $-1 $3621 $3241 $3234 $3089 reversed $3630 $-1 #
edge $3631 -1 -1 $-1 $2626 0 $2620 0.26569423122201297 $3234 $3632 reversed @7 unknown T 21.827642113708748 0 0 30 0
61.154696222063087 #
integer_attr-name_attr-gen-attr $-1 -1 $-1 $2625 $2248 lose lose ignore keep @15 VF_ID_NUM_LOCAL 14 #
integer_attr-name_attr-gen-attr $-1 -1 $-1 $-1 $2626 lose lose ignore keep @15 VF_ID_NUM_LOCAL 13 #
point $-1 -1 $-1 30 0 0 #
coedge $-1 -1 $-1 $2630 $3080 $3633 $3094 reversed $3084 $-1 #

```

```

edge $3634 -1 -1 $-1 $3102 53.353533912442735 $3618 70.817783109015636 $3633 $3635 reversed @7 unknown T
8.5999999999999925 2.15000000000000838 0 12.599999999999994 19.150000000000013 1.4260540990261583e-014 #
coedge $-1 -1 -1 $-1 $2629 $3053 $3636 $3637 forward $1857 $-1 #
coedge $-1 -1 -1 $-1 $3127 $3638 $3639 $3097 reversed $3129 $-1 #
edge $3640 -1 -1 $-1 $3641 0.92499999999994365 $3101 1.044999999999944 $3096 $1450 forward @7 unknown T
8.5999999999999943 1.999999999999998 0 8.599999999999996 2.120000000000001 0 #
coedge $-1 -1 -1 $-1 $3624 $2630 $3638 $3642 forward $3084 $-1 #
coedge $-1 -1 -1 $-1 $2729 $2728 $2250 $2631 forward $2731 $-1 #
ptlist-eye-attrb $-1 -1 $3643 $-1 $2631 #
vertex $3644 -1 -1 $-1 $3097 $3645 #
vertex $3646 -1 -1 $-1 $2631 $3647 #
straight-curve $-1 -1 -1 $-1 8.5999999999999943 1.0750000000000561 0 0 1 0 II #
fmesh-eye-attrb $-1 -1 $3648 $2632 $2251 #
fctd_mark-eye-attrb $-1 -1 $3649 $-1 $2633 #
face $3650 -1 -1 $-1 $3651 $3165 $221 $-1 $3652 forward double in T -34.90255361194221 0 0 -29.99999999999972
19.15000000000006 47.534981229876706 F #
plane-surface $-1 -1 -1 $-1 0 0 -5 0 1 0 0 1 forward_v IIII #
string_attrb-name_attrb-gen-attrb $-1 -1 $3653 $2635 $1859 custom custom ignore copy @9 _VF_DATA_ @66
13:ENTITYTYPE=169:VERSION=236:Information=paired vertex [layering] #
integer_attrb-name_attrb-gen-attrb $-1 -1 $3654 $-1 $2636 copy keep_all ignore copy @7 VF_PAIR 35 #
straight-curve $-1 -1 -1 $-1 0 0.6000000000000009 0 1 0 0 II #
integer_attrb-name_attrb-gen-attrb $-1 -1 $-1 $2637 $2257 lose lose ignore keep @15 VF_ID_NUM_LOCAL 112 #
integer_attrb-name_attrb-gen-attrb $-1 -1 $3655 $-1 $2638 copy keep_all ignore copy @7 VF_PAIR 35 #
point $-1 -1 -1 $-1 -8.599999999999996 0.6000000000000009 0 #
string_attrb-name_attrb-gen-attrb $-1 -1 $3656 $2639 $1440 custom custom ignore copy @9 _VF_DATA_ @63
12:ENTITYTYPE=89:VERSION=234:Information=paired edge [layering] #
ptlist-eye-attrb $-1 -1 $3657 $2640 $1866 #
coedge $-1 -1 -1 $-1 $2641 $3658 $3490 $3659 forward $1868 $-1 #
coedge $-1 -1 -1 $-1 $3660 $3006 $2551 $2987 reversed $2573 $-1 #
coedge $-1 -1 -1 $-1 $2651 $2642 $3006 $3503 forward $2193 $-1 #
ptlist-eye-attrb $-1 -1 $3661 $-1 $2643 #
coedge $-1 -1 -1 $-1 $3662 $2644 $3663 $3664 forward $1868 $-1 #
coedge $-1 -1 -1 $-1 $3665 $3570 $3666 $3122 reversed $3045 $-1 #
edge $3667 -1 -1 $-1 $3132 -0.9249999999999738 $3668 -0.7249999999999742 $3121 $1445 forward @7 unknown T -
8.599999999999996 1.799999999999998 0 -8.599999999999943 1.999999999999998 0 #
coedge $-1 -1 -1 $-1 $2645 $2666 $3669 $3670 forward $1868 $-1 #
coedge $-1 -1 -1 $-1 $3669 $3671 $3198 $3125 reversed $3084 $-1 #
edge $3672 -1 -1 $-1 $3673 -1.0749999999999038 $3131 -1.054999999999975 $3124 $3674 forward @7 unknown T -
8.599999999999996 2.129999999999999 0 -8.599999999999943 2.149999999999962 0 #
coedge $-1 -1 -1 $-1 $3675 $2646 $3676 $3677 reversed $3129 $-1 #
coedge $-1 -1 -1 $-1 $2646 $3096 $3678 $3679 reversed $3129 $-1 #
coedge $-1 -1 -1 $-1 $3188 $3187 $2263 $2647 forward $3189 $-1 #
loop $3680 -1 -1 $-1 $-1 $3127 $3681 T -8.599999999999996 1.999999999999998 0 8.599999999999996 2.150000000000004 0
unknown #
ptlist-eye-attrb $-1 -1 $3682 $-1 $2647 #
vertex $3683 -1 -1 $-1 $2647 $3684 #
vertex $3685 -1 -1 $-1 $3122 $3686 #
fmesh-eye-attrb $-1 -1 $3687 $2648 $2264 #
integer_attrb-name_attrb-gen-attrb $-1 -1 $-1 $2649 $1444 lose lose ignore keep @15 VF_ID_NUM_LOCAL 63 #
coedge $-1 -1 -1 $-1 $3688 $2650 $3491 $3689 forward $1857 $-1 #
coedge $-1 -1 -1 $-1 $3006 $3660 $3690 $3137 reversed $2573 $-1 #
edge $3691 -1 -1 $-1 $3139 -0.27500000000005609 $3692 -0.075000000000056133 $3136 $1450 forward @7 unknown T
8.5999999999999943 0.8000000000000004 0 8.599999999999996 1 0 #
ptlist-eye-attrb $-1 -1 $3693 $-1 $2652 #
vertex $3694 -1 -1 $-1 $3137 $3695 #
integer_attrb-name_attrb-gen-attrb $-1 -1 $-1 $2653 $1449 lose lose ignore keep @15 VF_ID_NUM_LOCAL 64 #
integer_attrb-name_attrb-gen-attrb $-1 -1 $3696 $2655 $2269 copy keep_all ignore copy @13 VF_PAIR_GROUP 3 #
integer_attrb-name_attrb-gen-attrb $-1 -1 $3697 $2657 $2270 copy keep_all ignore copy @13 VF_PAIR_GROUP 2 #
string_attrb-name_attrb-gen-attrb $-1 -1 $3698 $2661 $1881 custom custom ignore copy @9 _VF_DATA_ @66
13:ENTITYTYPE=169:VERSION=236:Information=paired vertex [layering] #
integer_attrb-name_attrb-gen-attrb $-1 -1 $-1 $2664 lose lose ignore keep @15 VF_ID_NUM_LOCAL 99 #
face $3699 -1 -1 $-1 $2264 $2664 $221 $-1 $3107 reversed single T -34.90255361194221 -1.7763568394002505e-015 0 -
8.5999999999999943 0 52.415246047219377 F #
ptlist-eye-attrb $-1 -1 $3700 $2665 $1884 #
coedge $-1 -1 -1 $-1 $2667 $3669 $3701 $3148 reversed $3084 $-1 #
edge $3702 -1 -1 $-1 $3152 -12.174999999999972 $3703 5.225000000000005 $3701 $3704 reversed @7 unknown T -
29.999999999999972 19.150000000000006 0 -12.599999999999994 19.150000000000006 1.4260540990261583e-014 #
coedge $-1 -1 -1 $-1 $3705 $2667 $3706 $3707 reversed $3084 $-1 #
coedge $-1 -1 -1 $-1 $3163 $3154 $2280 $2668 forward $3165 $-1 #
ptlist-eye-attrb $-1 -1 $3708 $-1 $2668 #
vertex $3709 -1 -1 $-1 $3710 $3711 #
straight-curve $-1 -1 -1 $-1 -29.99999999999972 0 0 0 -1 0 II #

```

```

coedge $-1 -1 -1 $-1 $3150 $2678 $3712 $3155 reversed $3165 $-1 #
edge $3713 -1 -1 $-1 $2671 0 $2682 0.20554466681645578 $3712 $3714 reversed @7 unknown T -34.90255361194221 0 0 -
29.999999999999972 0 47.534981229876706 #
integer_attr-name_attr-gen-attr $-1 -1 $-1 $2670 $2282 lose lose ignore keep @15 VF_ID_NUM_LOCAL 3 #
integer_attr-name_attr-gen-attr $-1 -1 $-1 $2671 lose lose ignore keep @15 VF_ID_NUM_LOCAL 3 #
point $-1 -1 -1 $-1 -29.999999999999972 0 0 #
string_attr-name_attr-gen-attr $-1 -1 $3715 $2673 $1463 custom custom ignore copy @9 _VF_DATA_ @68
12:ENTITYTYPE=49:VERSION=225:Information=Internal face1:FaceSense=0 #
string_attr-name_attr-gen-attr $-1 -1 $3716 $2676 $1467 custom custom ignore copy @9 _VF_DATA_ @63
12:ENTITYTYPE=89:VERSION=234:Information=paired edge [layering] #
coedge $-1 -1 -1 $-1 $3218 $3717 $3538 $3162 forward $2707 $-1 #
edge $3718 -1 -1 $-1 $3196 -21.154563976923409 $3167 -4.1485821723912784 $3161 $3548 forward @7 unknown T -
34.902553611942217 19.150000000000002 47.534981229876706 -18.366448438384964 19.150000000000006 51.504948839962623 #
coedge $-1 -1 -1 $-1 $2678 $3150 $3719 $3710 forward $3165 $-1 #
coedge $-1 -1 -1 $-1 $3720 $3536 $2288 $2679 reversed $3721 $-1 #
loop $3722 -1 -1 $-1 $-1 $2678 $3106 T -34.90255361194221 0 0 -29.999999999999972 19.150000000000006 47.534981229876706
unknown #
ptlist-eye-attr $-1 -1 $3723 $-1 $2679 #
vertex $3724 -1 -1 $-1 $3162 $3725 #
straight-curve $-1 -1 -1 $-1 -34.90255361194221 9.5750000000000028 47.534981229876706 0 1 0 II #
coedge $-1 -1 -1 $-1 $2680 $3726 $3727 $3728 forward $2318 $-1 #
coedge $-1 -1 -1 $-1 $3729 $3712 $3720 $3171 reversed $3730 $-1 #
edge $3731 -1 -1 $-1 $3732 -0.40512753817742464 $2682 0.23617384240863259 $2680 $3733 forward @7 unknown T -
35.543854992528225 0 47.534981229876706 -34.902553611942167 0 47.534981229876706 #
integer_attr-name_attr-gen-attr $-1 -1 $-1 $2681 $2290 lose lose ignore keep @15 VF_ID_NUM_LOCAL 1 #
integer_attr-name_attr-gen-attr $-1 -1 $-1 $2682 lose lose ignore keep @15 VF_ID_NUM_LOCAL 2 #
point $-1 -1 -1 $-1 -34.902553611942167 0 47.534981229876706 #
coedge $-1 -1 -1 $-1 $2683 $3734 $3470 $3735 forward $1470 $-1 #
coedge $-1 -1 -1 $-1 $3736 $3500 $3496 $3177 reversed $3737 $-1 #
edge $3738 -1 -1 $-1 $3739 -0.13499999999999868 $3179 0.065000000000001279 $2683 $1473 forward @7 unknown T -
14.574787690284523 1 52.415246047219355 -14.574787690284523 1.2 52.41524604721937 #
ptlist-eye-attr $-1 -1 $3740 $-1 $2684 #
vertex $3741 -1 -1 $-1 $2684 $3742 #
integer_attr-name_attr-gen-attr $-1 -1 $-1 $2686 $2293 lose lose ignore keep @15 VF_ID_NUM_LOCAL 123 #
integer_attr-name_attr-gen-attr $-1 -1 $3743 $-1 $2687 copy keep_all ignore copy @7 VF_PAIR 29 #
point $-1 -1 -1 $-1 -14.574787690284523 0.8000000000000004 52.41524604721937 #
integer_attr-name_attr-gen-attr $-1 -1 $3744 $2689 $2296 copy keep_all ignore copy @13 VF_PAIR_GROUP 1 #
coedge $-1 -1 -1 $-1 $3734 $2691 $3745 $3746 forward $1470 $-1 #
coedge $-1 -1 -1 $-1 $3747 $3748 $3031 $3186 reversed $3568 $-1 #
edge $3749 -1 -1 $-1 $3035 -0.9349999999999985 $3581 -0.73499999999999854 $2691 $1473 forward @7 unknown T -
14.574787690284523 1.7999999999999998 52.415246047219355 -14.574787690284523 1.9999999999999998 52.41524604721937 #
coedge $-1 -1 -1 $-1 $3128 $2692 $2697 $3201 forward $3189 $-1 #
coedge $-1 -1 -1 $-1 $2692 $3128 $3551 $3750 reversed $3189 $-1 #
loop $3751 -1 -1 $-1 $-1 $3188 $3752 T -14.574787690284523 1.9999999999999998 0 -8.5999999999999943 2.1300000000000003
52.415246047219377 unknown #
ptlist-eye-attr $-1 -1 $3753 $-1 $2693 #
coedge $-1 -1 -1 $-1 $3754 $2694 $3755 $3756 reversed $3194 $-1 #
coedge $-1 -1 -1 $-1 $2694 $3754 $2696 $3199 reversed $3194 $-1 #
coedge $-1 -1 -1 $-1 $3539 $2698 $2298 $2695 reversed $2739 $-1 #
loop $3757 -1 -1 $-1 $-1 $2694 $3651 T -18.366448438385049 2.14999999999995154 0 -8.5999999999999943 19.150000000000205
52.415246047219384 unknown #
ptlist-eye-attr $-1 -1 $3758 $-1 $2695 #
vertex $3759 -1 -1 $-1 $3162 $3760 #
ellipse-curve $-1 -1 -1 $-1 -232.90000000000001 -34.399999999999999 0 0.23344536385590536 0 -0.97236992039767656
945.93845603790157 -4239.7673870500294 227.09973069174026 0.052188592540996323 II #
coedge $-1 -1 -1 $-1 $2697 $2696 $2645 $3125 forward $2699 $-1 #
edge $3761 -1 -1 $-1 $2701 1.3437971224876133 $3673 1.5707963267948966 $2696 $3762 forward @7 unknown T -
14.574787690284523 2.1499999999999062 0 -8.5999999999999943 2.1500000000000328 52.415246047219355 #
coedge $-1 -1 -1 $-1 $3763 $3676 $3187 $3201 reversed $3764 $-1 #
edge $3765 -1 -1 $-1 $2702 -0.2269992043072836 $3131 0 $3187 $3766 forward @7 unknown T -14.574787690284523
2.1299999999999999 0 -8.5999999999999943 2.1300000000000003 52.415246047219377 #
coedge $-1 -1 -1 $-1 $2698 $3767 $3763 $3209 forward $2739 $-1 #
integer_attr-name_attr-gen-attr $-1 -1 $-1 $2699 lose lose ignore keep @15 VF_ID_NUM_LOCAL 90 #
face $3768 -1 -1 $-1 $3769 $2699 $221 $-1 $3770 forward double in T -14.574787690284523 2.1299999999999999 0 -
8.5999999999999943 2.1500000000000328 52.415246047219377 F #
integer_attr-name_attr-gen-attr $-1 -1 $-1 $2700 $2300 lose lose ignore keep @15 VF_ID_NUM_LOCAL 40 #
integer_attr-name_attr-gen-attr $-1 -1 $-1 $2701 lose lose ignore keep @15 VF_ID_NUM_LOCAL 18 #
point $-1 -1 -1 $-1 -14.574787690284523 2.1500000000000323 52.415246047219355 #
integer_attr-name_attr-gen-attr $-1 -1 $-1 $2702 lose lose ignore keep @15 VF_ID_NUM_LOCAL 32 #
edge $3771 -1 -1 $-1 $3772 -37.073837424885362 $2702 -31.426355951957518 $3202 $3773 forward @7 unknown T -
14.574787690284527 2.1300000000000003 52.415246047219355 -9.0833465800063209 2.1300000000000008 53.733624414536493 #
point $-1 -1 -1 $-1 -14.574787690284523 2.1300000000000003 52.41524604721937 #

```

```

integer_attr-name_attr-gen-attr $-1 -1 $3774 $2704 $1899 lose lose ignore keep @15 VF_ID_NUM_LOCAL 45 #
fmesh-eye-attr $-1 -1 $3775 $2705 $2302 #
fctd_mark-eye-attr $-1 -1 $3776 $-1 $2706 #
face $3777 -1 -1 $-1 $3778 $3779 $221 $-1 $3780 reversed double in T -44.846720713508006 0 47.534981229876706 -
35.543854992528225 19.150000000000002 86.284205678655809 F #
loop $3781 -1 -1 $-1 $-1 $3782 $2706 T -44.846720713508006 0 86.284205678655795 12.52310458995488 19.150000000000002
100.05748214615421 unknown #
plane-surface $-1 -1 $-1 -16.161808061776561 9.5750000000000011 93.170843912405005 -0.23344536385590539 0
0.97236992039767667 0.97236992039767589 0 0.2334453638559052 forward_v 1 1 1 1 #
integer_attr-name_attr-gen-attr $-1 -1 $-1 $2707 lose lose ignore keep @15 VF_ID_NUM_LOCAL 54 #
coedge $-1 -1 -1 $-1 $3783 $3161 $3023 $3537 forward $2707 $-1 #
integer_attr-name_attr-gen-attr $-1 -1 $-1 $2709 $1472 lose lose ignore keep @15 VF_ID_NUM_LOCAL 67 #
coedge $-1 -1 -1 $-1 $3784 $2710 $3785 $3786 forward $1476 $-1 #
coedge $-1 -1 -1 $-1 $3457 $3787 $3497 $3222 reversed $2952 $-1 #
edge $3788 -1 -1 $-1 $3226 -0.059999999999998721 $3789 0.14000000000000123 $2710 $1479 forward @7 unknown T
1.687868417735416 1 56.319564344979455 1.687868417735416 1.2 56.319564344979469 #
coedge $-1 -1 -1 $-1 $3690 $2711 $3007 $3227 reversed $2979 $-1 #
coedge $-1 -1 -1 $-1 $2711 $3690 $3457 $3495 forward $2979 $-1 #
plist-eye-attr $-1 -1 $3790 $-1 $2712 #
vertex $3791 -1 -1 $-1 $3222 $3792 #
edge $3793 -1 -1 $-1 $3139 0 $2715 0.24423969373118543 $2713 $3794 forward @7 unknown T 1.687868417735416
0.7999999999999982 0 8.599999999999996 0.8000000000000004 56.319564344979476 #
integer_attr-name_attr-gen-attr $-1 -1 $-1 $2714 $2306 lose lose ignore keep @15 VF_ID_NUM_LOCAL 125 #
integer_attr-name_attr-gen-attr $-1 -1 $3795 $-1 $2715 copy keep_all ignore copy @7 VF_PAIR 28 #
point $-1 -1 -1 $-1 1.687868417735416 0.8000000000000004 56.319564344979469 #
integer_attr-name_attr-gen-attr $-1 -1 $3796 $2717 $2308 copy keep_all ignore copy @13 VF_PAIR_GROUP 0 #
coedge $-1 -1 -1 $-1 $3717 $3797 $2591 $3027 forward $2707 $-1 #
coedge $-1 -1 -1 $-1 $3083 $2720 $3545 $3628 reversed $3236 $-1 #
coedge $-1 -1 -1 $-1 $2720 $3083 $2624 $3089 forward $3236 $-1 #
coedge $-1 -1 -1 $-1 $3798 $3799 $2309 $2721 reversed $3800 $-1 #
loop $3801 -1 -1 $-1 $-1 $2720 $3802 T 21.827642113708748 0 0 30 19.150000000000006 61.154696222063265 unknown #
plist-eye-attr $-1 -1 $3803 $-1 $2721 #
vertex $3804 -1 -1 $-1 $3805 $3806 #
straight-curve $-1 -1 -1 $-1 21.827642113708748 9.5750000000000028 61.154696222063265 0 -1 0 1 1 #
coedge $-1 -1 -1 $-1 $3726 $2722 $3807 $3808 reversed $2318 $-1 #
coedge $-1 -1 -1 $-1 $3088 $3809 $3799 $3078 reversed $3630 $-1 #
coedge $-1 -1 -1 $-1 $3633 $2723 $2729 $3258 reversed $3245 $-1 #
coedge $-1 -1 -1 $-1 $2723 $3633 $3544 $3810 forward $3245 $-1 #
coedge $-1 -1 -1 $-1 $2730 $3539 $2311 $2724 reversed $2739 $-1 #
loop $3811 -1 -1 $-1 $-1 $2723 $3769 T 1.687868417735416 2.1499999999999591 0 12.599999999999994 19.150000000000134
57.225229136680923 unknown #
plist-eye-attr $-1 -1 $3812 $-1 $2724 #
vertex $3813 -1 -1 $-1 $3540 $3814 #
ellipse-curve $-1 -1 -1 $-1 -232.8999999999998 -34.399999999999849 0 -0.23344536385590536 0 0.97236992039767656
945.93845603790157 4239.7673870500294 227.09973069174026 0.052188592540996323 1 1 #
coedge $-1 -1 -1 $-1 $2725 $3784 $2606 $3056 forward $1476 $-1 #
coedge $-1 -1 -1 $-1 $3584 $3815 $3030 $3251 reversed $3816 $-1 #
edge $3817 -1 -1 $-1 $3582 0.7400000000000011 $3036 0.94000000000000106 $2725 $1479 forward @7 unknown T
1.687868417735416 1.799999999999998 56.319564344979455 1.687868417735416 1.999999999999998 56.319564344979469 #
coedge $-1 -1 -1 $-1 $3639 $2726 $3552 $3818 reversed $3254 $-1 #
coedge $-1 -1 -1 $-1 $2726 $3639 $2728 $3257 forward $3254 $-1 #
loop $3819 -1 -1 $-1 $-1 $3252 $3820 T 1.687868417735416 1.999999999999998 0 8.599999999999996 2.120000000000001
56.319564344979476 unknown #
plist-eye-attr $-1 -1 $3821 $-1 $2727 #
coedge $-1 -1 -1 $-1 $3822 $3823 $3253 $3257 reversed $3824 $-1 #
edge $3825 -1 -1 $-1 $3101 0 $2733 0.24423969373118543 $3253 $3826 forward @7 unknown T 1.687868417735416
2.119999999999997 0 8.599999999999996 2.120000000000001 56.319564344979476 #
edge $3827 -1 -1 $-1 $3102 -1.5707963267948966 $2734 -1.3265566330637113 $2729 $3828 forward @7 unknown T
1.687868417735416 2.1499999999999591 0 8.599999999999943 2.1500000000000909 56.319564344979455 #
coedge $-1 -1 -1 $-1 $3829 $2730 $3823 $3264 forward $2739 $-1 #
integer_attr-name_attr-gen-attr $-1 -1 $-1 $2731 lose lose ignore keep @15 VF_ID_NUM_LOCAL 85 #
face $3830 -1 -1 $-1 $1908 $2731 $221 $-1 $3831 forward double in T 1.687868417735416 2.119999999999997 0
8.599999999999996 2.1500000000000909 56.319564344979476 F #
integer_attr-name_attr-gen-attr $-1 -1 $-1 $2732 $2314 lose lose ignore keep @15 VF_ID_NUM_LOCAL 51 #
integer_attr-name_attr-gen-attr $-1 -1 $-1 $2733 lose lose ignore keep @15 VF_ID_NUM_LOCAL 38 #
edge $3832 -1 -1 $-1 $2733 -45.37986430966415 $3833 -39.942192974121696 $3259 $3834 forward @7 unknown T -
3.599596259547398 2.119999999999992 55.050165181524918 1.687868417735416 2.119999999999997 56.319564344979469 #
point $-1 -1 -1 $-1 1.687868417735416 2.119999999999997 56.319564344979469 #
integer_attr-name_attr-gen-attr $-1 -1 $-1 $2734 lose lose ignore keep @15 VF_ID_NUM_LOCAL 33 #
point $-1 -1 -1 $-1 1.687868417735416 2.149999999999959 56.319564344979455 #
integer_attr-name_attr-gen-attr $-1 -1 $3835 $2736 $1908 lose lose ignore keep @15 VF_ID_NUM_LOCAL 16 #
fmesh-eye-attr $-1 -1 $3836 $2737 $2316 #

```

```

fctd_mark-eye-attrb $-1 -1 $3837 $-1 $2738 #
face $3838 -1 -1 $-1 $3839 $3840 $221 $-1 $3841 forward double in T -3.599559625954754 2.1199999999999997 0 3
2.1499999999999999 55.050165181524932 F #
loop $3842 -1 -1 $-1 $-1 $3843 $2738 T -9.0833465800063493 2.1499999999999986 0 3 2.1500000000000004 55.050165181524932
unknown #
plane-surface $-1 -1 -1 $-1 0.1000000000000009 2.1499999999999999 -5 0 -1 0 0 0 -1 forward_v I I I I #
integer_attrb-name_attrb-gen-attrb $-1 -1 $-1 $-1 $2739 lose lose ignore keep @15 VF_ID_NUM_LOCAL 83 #
integer_attrb-name_attrb-gen-attrb $-1 -1 $-1 $2740 $1478 lose lose ignore keep @15 VF_ID_NUM_LOCAL 68 #
fctd_mark-eye-attrb $-1 -1 $3844 $-1 $2742 #
plane-surface $-1 -1 -1 $-1 -11.376178102730506 0 73.237260544252649 0 1 0 -0.2334453638559052 0 0.97236992039767589
forward_v I I I I #
plist-eye-attrb $-1 -1 $3845 $2743 $1913 #
integer_attrb-name_attrb-gen-attrb $-1 -1 $-1 $2744 $1484 lose lose ignore keep @15 VF_ID_NUM_LOCAL 94 #
string_attrb-name_attrb-gen-attrb $-1 -1 $3846 $2755 $0 keep keep_kept ignore copy @14 VF_COLOUR_DATA @65
8:NAME=1839:VERSION=29:List=CLCS30:Label=Global coordinate system #
cface_ptr-ct-attrb $-1 -1 $-1 $2757 $1105 $-1 $793 #
cface_ptr-ct-attrb $-1 -1 $-1 $2762 $1143 $-1 $1932 #
string_attrb-name_attrb-gen-attrb $-1 -1 $-1 $-1 $2764 custom custom ignore copy @9 _VF_DATA_ @89
12:ENTITYTYPE=29:VERSION=36:Size=319:MaterialLabel=ferro11:Potential=516:VolumeLabel=pack #
cface $3847 -1 $3848 $354 $3287 0 #
face $3849 -1 -1 $-1 $2359 $3363 $209 $-1 $3850 forward single T -9.0833465800063493 2.1499999999999986 0 3
2.1499999999999999 55.050165181524925 F #
integer_attrb-name_attrb-gen-attrb $-1 -1 $3851 $-1 $2765 lose lose ignore keep @15 VF_ID_NUM_LOCAL 13 #
face $3852 -1 -1 $-1 $3285 $3331 $209 $-1 $3853 reversed single T -9.0833465800063493 2.1299999999999999 0 -
2.7999999999999994 2.1499999999999999 53.733624414536479 F #
cone-surface $-1 -1 -1 $-1 -229.90000000000001 2.1499999999999995 0 0 -1 0 232.90000000000001 0 0 1 1 1 0 1
232.90000000000001 forward I I I I #
real_attrb-name_attrb-gen-attrb $-1 -1 $3854 $2766 $2359 lose lose lose keep @11 VF_FACEAREA 311.83604212576768 #
coedge $-1 -1 -1 $-1 $3371 $3370 $2830 $3347 forward $2767 $-1 #
string_attrb-name_attrb-gen-attrb $-1 -1 $3855 $2769 $1981 custom custom ignore copy @9 _VF_DATA_ @68
12:ENTITYTYPE=49:VERSION=225:Information=External face11:FaceSense=0 #
coedge $-1 -1 -1 $-1 $3368 $2770 $3370 $3856 forward $2361 $-1 #
coedge $-1 -1 -1 $-1 $2770 $3368 $2773 $3297 forward $2361 $-1 #
cface_ptr-ct-attrb $-1 -1 $3857 $2771 $1569 $-1 $1171 #
string_attrb-name_attrb-gen-attrb $-1 -1 $3858 $2772 $1983 custom custom ignore copy @9 _VF_DATA_ @68
12:ENTITYTYPE=49:VERSION=225:Information=External face11:FaceSense=0 #
coedge $-1 -1 -1 $-1 $2774 $2773 $3367 $3859 forward $1984 $-1 #
edge $3860 -1 -1 $-1 $3861 -1.5707963267948966 $2833 -1.3265566330637113 $3293 $3862 forward @7 unknown T
1.687868417735416 2.1499999999999999 0 8.5999999999999943 2.1500000000000009 56.319564344979455 #
cface_ptr-ct-attrb $-1 -1 $-1 $2775 $1172 $-1 $849 #
real_attrb-name_attrb-gen-attrb $-1 -1 $3863 $2776 $1571 lose lose lose keep @11 VF_FACEAREA 465.600000000000127 #
real_attrb-name_attrb-gen-attrb $-1 -1 $3864 $2777 $1988 lose lose lose keep @11 VF_FACEAREA 435.00768859466052 #
string_attrb-name_attrb-gen-attrb $-1 -1 $3865 $2778 $2371 custom custom ignore copy @9 _VF_DATA_ @68
12:ENTITYTYPE=49:VERSION=225:Information=External face11:FaceSense=0 #
coedge $-1 -1 -1 $-1 $3367 $2837 $2781 $3303 reversed $1622 $-1 #
edge $3866 -1 -1 $-1 $3305 -5.225000000000005 $3309 12.175000000000001 $2781 $3867 reversed @7 unknown T
12.5999999999999994 19.150000000000006 0 30 19.150000000000006 1.4260540990261583e-014 #
integer_attrb-name_attrb-gen-attrb $-1 -1 $-1 $-1 $2782 lose lose ignore keep @15 VF_ID_NUM_LOCAL 52 #
vertex $3868 -1 -1 $-1 $2782 $3869 #
ellipse-curve $-1 -1 -1 $-1 -220.30000000000001 19.150000000000006 0 0 1 0 0 0 232.90000000000001 1 1 1 #
coedge $-1 -1 -1 $-1 $2820 $2783 $2837 $3353 forward $2365 $-1 #
integer_attrb-name_attrb-gen-attrb $-1 -1 $-1 $-1 $2784 lose lose ignore keep @15 VF_ID_NUM_LOCAL 53 #
vertex $3870 -1 -1 $-1 $2784 $3871 #
ellipse-curve $-1 -1 -1 $-1 -202.90000000000001 19.150000000000006 0 0 1 0 232.90000000000001 0 0 1 1 1 #
cface_ptr-ct-attrb $-1 -1 $-1 $2786 $1174 $-1 $3319 #
cface_ptr-ct-attrb $-1 -1 $3872 $2787 $1576 $-1 $2381 #
edge $3873 -1 -1 $-1 $3355 0 $2822 0.26569423122201297 $2820 $3874 reversed @7 unknown T 21.827642113708748 0 0 30 0
61.154696222063087 #
edge $3875 -1 -1 $-1 $2826 -0.26569423122201297 $2841 0 $2824 $3876 reversed @7 unknown T 35.827642113708805 0 0 44 0
61.154696222063087 #
integer_attrb-name_attrb-gen-attrb $-1 -1 $-1 $-1 $2790 lose lose ignore keep @15 VF_ID_NUM_LOCAL 25 #
straight-curve $-1 -1 -1 $-1 47.231910528427179 0 61.154696222063087 -1 0 0 1 1 #
string_attrb-name_attrb-gen-attrb $-1 -1 $-1 $-1 $2792 custom custom ignore copy @9 _VF_DATA_ @89
12:ENTITYTYPE=29:VERSION=36:Size=319:MaterialLabel=ferro11:Potential=516:VolumeLabel=pack #
string_attrb-name_attrb-gen-attrb $-1 -1 $-1 $-1 $2795 custom custom ignore copy @9 _VF_DATA_ @89
12:ENTITYTYPE=29:VERSION=36:Size=319:MaterialLabel=ferro11:Potential=516:VolumeLabel=pack #
cface $3877 -1 $3878 $354 $1174 0 #
coedge $-1 -1 -1 $-1 $2797 $2845 $3335 $3879 forward $1622 $-1 #
integer_attrb-name_attrb-gen-attrb $-1 -1 $-1 $-1 $2802 lose lose ignore keep @15 VF_ID_NUM_LOCAL 57 #
vertex $3880 -1 -1 $-1 $3879 $3881 #
straight-curve $-1 -1 -1 $-1 -8.5999999999999943 1.0750000000000024 0 0 -1 0 1 1 #
integer_attrb-name_attrb-gen-attrb $-1 -1 $3882 $-1 $2803 lose lose ignore keep @15 VF_ID_NUM_LOCAL 21 #

```

```

cone-surface $-1 -1 -1 $-1 -241.5 0 0 0 1 0 232.90000000000001 0 0 1 I I 0 -1 232.90000000000001 forward I I I I #
coedge $-1 -1 -1 $-1 $2830 $2806 $3375 $3883 reversed $639 $-1 #
coedge $-1 -1 -1 $-1 $3362 $3361 $2806 $3328 forward $3363 $-1 #
edge $3884 -1 -1 $-1 $3885 -39.893574478101812 $3333 -34.253964655732098 $3327 $3886 forward @7 unknown T -
9.083346580006328 2.149999999999986 53.733624414536479 -3.5995596259547256 2.149999999999986 55.050165181524918 #
coedge $-1 -1 -1 $-1 $3359 $2807 $2810 $3336 reversed $3331 $-1 #
coedge $-1 -1 -1 $-1 $2807 $3359 $3362 $3887 forward $3331 $-1 #
loop $-1 -1 -1 $-1 $2807 $3287 T -9.0833465800063493 2.129999999999999 0 -2.799999999999994 2.149999999999999
53.733624414536479 unknown #
integer_attr-name_attr-gen-attr $-1 -1 $-1 $-1 $2808 lose lose ignore keep @15 VF_ID_NUM_LOCAL 24 #
vertex $3888 -1 -1 $-1 $3328 $3889 #
straight-curve $-1 -1 -1 $-1 -9.0833465800063209 2.140000000000006 53.733624414536479 0 -1 0 I I #
coedge $-1 -1 -1 $-1 $2810 $2809 $3320 $3879 reversed $2811 $-1 #
edge $3890 -1 -1 $-1 $3891 0 $2813 0.2328128887920855 $2810 $3892 forward @7 unknown T -9.0833465800063493
2.129999999999999 0 -2.799999999999994 2.130000000000008 53.733624414536479 #
integer_attr-name_attr-gen-attr $-1 -1 $-1 $-1 $2813 lose lose ignore keep @15 VF_ID_NUM_LOCAL 26 #
point $-1 -1 -1 $-1 -9.0833465800063209 2.130000000000008 53.733624414536479 #
integer_attr-name_attr-gen-attr $-1 -1 $-1 $-1 $2815 lose lose ignore keep @15 VF_ID_NUM_LOCAL 46 #
ellipse-curve $-1 -1 -1 $-1 -241.5 2.129999999999999 0 0 -1 0 232.90000000000001 0 0 1 I I #
integer_attr-name_attr-gen-attr $-1 -1 $-1 $-1 $2819 lose lose ignore keep @15 VF_ID_NUM_LOCAL 43 #
ellipse-curve $-1 -1 -1 $-1 -188.90000000000001 29.15000000000002 0 2.1355943110007303e-016 1 0 0 0 232.90000000000001
0.999999999999989 I I #
integer_attr-name_attr-gen-attr $-1 -1 $-1 $-1 $2822 lose lose ignore keep @15 VF_ID_NUM_LOCAL 28 #
point $-1 -1 -1 $-1 21.827642113708748 0 61.154696222063087 #
integer_attr-name_attr-gen-attr $-1 -1 $-1 $-1 $2826 lose lose ignore keep @15 VF_ID_NUM_LOCAL 33 #
point $-1 -1 -1 $-1 35.827642113708805 0 61.154696222063087 #
edge $3893 -1 -1 $-1 $3349 -45.379864309664143 $3894 -39.942192974121689 $3290 $3895 forward @7 unknown T -
3.5995596259547327 2.1199999999999974 55.050165181524903 1.687868417735416 2.119999999999992 56.319564344979455 #
integer_attr-name_attr-gen-attr $-1 -1 $-1 $-1 $2831 lose lose ignore keep @15 VF_ID_NUM_LOCAL 33 #
vertex $3896 -1 -1 $-1 $3856 $3897 #
straight-curve $-1 -1 -1 $-1 1.687868417735416 2.1350000000002733 56.319564344979455 0 -1 0 I I #
integer_attr-name_attr-gen-attr $-1 -1 $-1 $-1 $2833 lose lose ignore keep @15 VF_ID_NUM_LOCAL 37 #
point $-1 -1 -1 $-1 1.687868417735416 2.149999999999959 56.319564344979455 #
edge $3898 -1 -1 $-1 $3309 0 $3355 19.15000000000006 $3307 $3899 reversed @7 unknown T 30 0 0 30 19.15000000000006 0 #
integer_attr-name_attr-gen-attr $-1 -1 $-1 $-1 $2839 lose lose ignore keep @15 VF_ID_NUM_LOCAL 14 #
vertex $3900 -1 -1 $-1 $3313 $3901 #
straight-curve $-1 -1 -1 $-1 25 0 0 1 0 0 I I #
integer_attr-name_attr-gen-attr $-1 -1 $-1 $-1 $2841 lose lose ignore keep @15 VF_ID_NUM_LOCAL 13 #
point $-1 -1 -1 $-1 44 0 0 #
coedge $-1 -1 -1 $-1 $3330 $3329 $2845 $3360 reversed $3331 $-1 #
edge $3902 -1 -1 $-1 $3365 -1.074999999999997 $3891 -1.054999999999997 $2845 $3903 forward @7 unknown T -
2.800000000000114 2.129999999999999 0 -2.799999999999994 2.149999999999999 0 #
coedge $-1 -1 -1 $-1 $3327 $2846 $2852 $3377 forward $3363 $-1 #
coedge $-1 -1 -1 $-1 $2846 $3327 $3330 $3887 reversed $3363 $-1 #
loop $-1 -1 -1 $-1 $3327 $3285 T -9.0833465800063493 2.149999999999986 0 3 2.149999999999999 55.050165181524925
unknown #
integer_attr-name_attr-gen-attr $-1 -1 $-1 $-1 $2847 lose lose ignore keep @15 VF_ID_NUM_LOCAL 62 #
vertex $3904 -1 -1 $-1 $2847 $3905 #
straight-curve $-1 -1 -1 $-1 0.05000000000000044 2.149999999999999 0 -1 0 0 I I #
coedge $-1 -1 -1 $-1 $2848 $3302 $3296 $3859 reversed $1622 $-1 #
coedge $-1 -1 -1 $-1 $3293 $3292 $2848 $3369 forward $2361 $-1 #
edge $3906 -1 -1 $-1 $3373 1.044999999999944 $3861 1.0750000000000348 $2848 $3907 forward @7 unknown T
8.599999999999943 2.120000000000001 0 8.59999999999996 2.1500000000000909 0 #
coedge $-1 -1 -1 $-1 $3290 $2849 $3292 $3856 reversed $2767 $-1 #
coedge $-1 -1 -1 $-1 $2849 $3290 $2851 $3376 forward $2767 $-1 #
integer_attr-name_attr-gen-attr $-1 -1 $-1 $-1 $2850 lose lose ignore keep @15 VF_ID_NUM_LOCAL 63 #
vertex $3908 -1 -1 $-1 $3369 $3909 #
straight-curve $-1 -1 -1 $-1 0 2.120000000000001 0 -1 0 0 I I #
coedge $-1 -1 -1 $-1 $2852 $2851 $3326 $3883 forward $2853 $-1 #
edge $3910 -1 -1 $-1 $3894 -0.23862647841812529 $2855 0 $3371 $3911 forward @7 unknown T -3.599559625954754
2.119999999999992 0 3 2.120000000000001 55.050165181524925 #
edge $3912 -1 -1 $-1 $2856 0 $3885 0.23862647841812529 $2852 $3913 forward @7 unknown T -3.599559625954754
2.149999999999986 0 3 2.149999999999999 55.050165181524925 #
integer_attr-name_attr-gen-attr $-1 -1 $-1 $-1 $2855 lose lose ignore keep @15 VF_ID_NUM_LOCAL 19 #
point $-1 -1 -1 $-1 3 2.120000000000001 0 #
integer_attr-name_attr-gen-attr $-1 -1 $-1 $-1 $2856 lose lose ignore keep @15 VF_ID_NUM_LOCAL 36 #
point $-1 -1 -1 $-1 3 2.149999999999999 0 #
real_attr-name_attr-gen-attr $-1 -1 $3914 $2858 $2044 lose lose lose keep @11 VF_FACEAREA 2191.8839999999991 #
real_attr-name_attr-gen-attr $-1 -1 $3915 $2859 $2436 lose lose lose keep @11 VF_FACEAREA 307.83261254032186 #
cface_ptr-ct-attr $-1 -1 $-1 $2861 $1226 $-1 $888 #
string_attr-name_attr-gen-attr $-1 -1 $-1 $-1 $2864 custom custom ignore copy @9 _VF_DATA_ @68
12:ENTITYTYPE=29;VERSION=36;Size=617;MaterialLabel=Air11;Potential=5 #

```

```

cface $3916 -1 $3917 $366 $2094 0 #
cface_ptr-ct-attrib $-1 -1 $3918 $2865 $1693 $-1 $1286 #
edge $3919 -1 -1 $-1 $3390 -164.68516933834695 $2871 -157.61410152648145 $2911 $3920 forward @7 unknown T
38.99999999999972 29.14999999999963 0 44 34.14999999999999 0 #
integer_attrib-name_attrib-gen-attrib $-1 -1 $-1 $-1 $2868 lose lose ignore keep @15 VF_ID_NUM_LOCAL 30 #
vertex $3921 -1 -1 $-1 $3388 $3922 #
ellipse-curve $-1 -1 $-1 -188.90000000000001 29.15000000000002 0 2.1355943110007303e-016 1 0 0 0 232.90000000000001
0.999999999999989 11 #
cface_ptr-ct-attrib $-1 -1 $-1 $2869 $1287 $-1 $942 #
integer_attrib-name_attrib-gen-attrib $-1 -1 $-1 $-1 $2871 lose lose ignore keep @15 VF_ID_NUM_LOCAL 15 #
point $-1 -1 -1 $-1 38.99999999999972 34.14999999999999 0 #
rgb_color-st-attrib $-1 -1 $-1 $2874 $1289 0.60000002384185791 0.60000002384185791 0.60000002384185791 #
rgb_color-st-attrib $-1 -1 $3923 $2875 $1699 0.60000002384185791 0.60000002384185791 0.60000002384185791 #
real_attrib-name_attrib-gen-attrib $-1 -1 $3924 $2876 $2094 lose lose lose keep @11 VF_FACEAREA 1803.8074350643367 #
cface_ptr-ct-attrib $-1 -1 $-1 $2884 $1295 $-1 $3925 #
integer_attrib-name_attrib-gen-attrib $-1 -1 $3926 $2885 $1707 lose lose ignore keep @15 VF_ID_NUM_LOCAL 9 #
string_attrib-name_attrib-gen-attrib $-1 -1 $3927 $2886 $2104 custom custom ignore copy @9 _VF_DATA_ @89
12:ENTITYTYPE=49:VERSION=225:Information=External face18:BoundaryLabel=tang11:FaceSense=1 #
rgb_color-st-attrib $-1 -1 $3928 $2887 $2475 0.60000002384185791 0.60000002384185791 0.60000002384185791 #
coedge $-1 -1 -1 $-1 $2893 $2890 $2906 $3421 reversed $2476 $-1 #
edge $3929 -1 -1 $-1 $2904 -80 $3930 80 $2901 $3931 forward @7 unknown T 80 80 0 80 80 160 #
edge $3932 -1 -1 $-1 $3406 -40 $3412 40 $2892 $3933 forward @7 unknown T -80 0 160 -80 80 160 #
integer_attrib-name_attrib-gen-attrib $-1 -1 $-1 $-1 $2894 lose lose ignore keep @15 VF_ID_NUM_LOCAL 34 #
vertex $3934 -1 -1 $-1 $2897 $3935 #
vertex $3936 -1 -1 $-1 $3421 $3937 #
straight-curve $-1 -1 -1 $-1 -80 80 80 0 0 -1 11 #
integer_attrib-name_attrib-gen-attrib $-1 -1 $-1 $-1 $2897 lose lose ignore keep @15 VF_ID_NUM_LOCAL 2 #
straight-curve $-1 -1 -1 $-1 0 80 160 -1 0 0 11 #
integer_attrib-name_attrib-gen-attrib $-1 -1 $-1 $-1 $2899 lose lose ignore keep @15 VF_ID_NUM_LOCAL 33 #
vertex $3938 -1 -1 $-1 $3404 $3939 #
straight-curve $-1 -1 -1 $-1 0 0 160 1 0 0 11 #
coedge $-1 -1 -1 $-1 $2901 $2900 $3420 $3940 reversed $2888 $-1 #
edge $3941 -1 -1 $-1 $2903 -80 $3432 80 $2900 $3942 forward @7 unknown T 80 0 0 80 0 160 #
integer_attrib-name_attrib-gen-attrib $-1 -1 $-1 $-1 $2903 lose lose ignore keep @15 VF_ID_NUM_LOCAL 1 #
point $-1 -1 -1 $-1 80 0 160 #
integer_attrib-name_attrib-gen-attrib $-1 -1 $-1 $-1 $2904 lose lose ignore keep @15 VF_ID_NUM_LOCAL 2 #
point $-1 -1 -1 $-1 80 80 160 #
coedge $-1 -1 -1 $-1 $2924 $2906 $3414 $3940 forward $1296 $-1 #
edge $3943 -1 -1 $-1 $3407 -80 $3930 80 $3402 $3944 forward @7 unknown T -80 80 0 80 80 0 #
integer_attrib-name_attrib-gen-attrib $-1 -1 $-1 $-1 $2907 lose lose ignore keep @15 VF_ID_NUM_LOCAL 27 #
straight-curve $-1 -1 -1 $-1 -80 40 0 0 1 0 11 #
integer_attrib-name_attrib-gen-attrib $-1 -1 $-1 $-1 $2909 lose lose ignore keep @15 VF_ID_NUM_LOCAL 22 #
point $-1 -1 -1 $-1 -80 0 0 #
coedge $-1 -1 -1 $-1 $2911 $2924 $2926 $3434 forward $1296 $-1 #
string_attrib-name_attrib-gen-attrib $-1 -1 $-1 $-1 $2917 custom custom ignore copy @9 _VF_DATA_ @68
12:ENTITYTYPE=29:VERSION=36:Size=617:MaterialLabel=Air11:Potential=5 #
cface $3945 -1 $3946 $366 $1724 0 #
integer_attrib-name_attrib-gen-attrib $-1 -1 $-1 $-1 $2919 lose lose ignore keep @15 VF_ID_NUM_LOCAL 20 #
point $-1 -1 -1 $-1 35.827642113708777 29.1499999999997 61.154696222063087 #
integer_attrib-name_attrib-gen-attrib $-1 -1 $-1 $-1 $2925 lose lose ignore keep @15 VF_ID_NUM_LOCAL 17 #
vertex $3947 -1 -1 $-1 $3415 $3948 #
straight-curve $-1 -1 -1 $-1 0 0 0 -1 0 0 11 #
edge $3949 -1 -1 $-1 $2928 -14.57500000000001 $3390 14.57500000000001 $3426 $3950 forward @7 unknown T 44 0 0 44
29.15000000000002 0 #
integer_attrib-name_attrib-gen-attrib $-1 -1 $-1 $-1 $2928 lose lose ignore keep @15 VF_ID_NUM_LOCAL 17 #
point $-1 -1 -1 $-1 44 0 0 #
rgb_color-st-attrib $-1 -1 $3951 $2930 $1724 0.60000002384185791 0.60000002384185791 0.60000002384185791 #
integer_attrib-name_attrib-gen-attrib $-1 -1 $-1 $-1 $2936 lose lose ignore keep @15 VF_ID_NUM_LOCAL 9 #
straight-curve $-1 -1 -1 $-1 -80 0 80 0 0 -1 11 #
string_attrib-name_attrib-gen-attrib $-1 -1 $3952 $2941 $40 keep keep_kept ignore copy @14 VF_COLOUR_DATA @41
8:NAME=1939:VERSION=29:List=Size7:Label=1 #
string_attrib-name_attrib-gen-attrib $-1 -1 $-1 $2943 $2521 custom custom ignore copy @9 _VF_DATA_ @86
12:ENTITYTYPE=29:VERSION=38:Size=0.517:MaterialLabel=Air11:Potential=213:ElementType=7 #
integer_attrib-name_attrib-gen-attrib $-1 -1 $3953 $-1 $2944 lose lose ignore keep @15 VF_ID_NUM_LOCAL 1 #
cell3d-cell $3954 -1 $3955 $127 $-1 1 $3956 #
cshell $-1 -1 $-1 $3070 $2944 #
cface $3957 -1 $3958 $2945 $3271 0 #
string_attrib-name_attrib-gen-attrib $-1 -1 $-1 $-1 $2946 custom custom ignore copy @9 _VF_DATA_ @86
12:ENTITYTYPE=29:VERSION=38:Size=0.517:MaterialLabel=Air11:Potential=213:ElementType=7 #
cface $3959 -1 $3960 $2522 $3961 1 #
face $3962 -1 -1 $-1 $3963 $3964 $221 $-1 $1054 forward double in T -14.574787690284523 1.599999999999999 0 -
8.599999999999943 1.799999999999998 52.415246047219377 F #

```

```

string_attrib-name_attrib-gen-attrb $-1 -1 $-1 $-1 $2948 custom custom ignore copy @9_VF_DATA_ @86
12:ENTITYTYPE=29:VERSION=38:Size=0.517:MaterialLabel=Air11:Potential=213:ElementType=7 #
cface $3965 -1 $3966 $2162 $3597 1 #
face $3967 -1 -1 $-1 $3968 $3969 $221 $-1 $464 reversed single T -8.5999999999999996 1.3999999999999999 0
8.5999999999999996 1.5999999999999999 0 F #
string_attrib-name_attrib-gen-attrb $-1 -1 $-1 $-1 $2950 custom custom ignore copy @9_VF_DATA_ @86
12:ENTITYTYPE=29:VERSION=38:Size=0.517:MaterialLabel=Air11:Potential=213:ElementType=7 #
cface $3970 -1 $3971 $1794 $2978 1 #
face $3972 -1 -1 $-1 $3460 $3973 $221 $-1 $3974 reversed double in T -14.574787690284527 1.1999999999999993 0
8.5999999999999996 1.2000000000000002 56.319564344979476 F #
fmesh-eye-attrb $-1 -1 $3975 $2951 $2526 #
integer_attrib-name_attrib-gen-attrb $-1 -1 $-1 $-1 $2952 lose lose ignore keep @15_VF_ID_NUM_LOCAL 28 #
coedge $-1 -1 -1 $-1 $3976 $3221 $2983 $3495 reversed $2952 $-1 #
string_attrib-name_attrib-gen-attrb $-1 -1 $-1 $-1 $2954 custom custom ignore copy @9_VF_DATA_ @86
12:ENTITYTYPE=29:VERSION=38:Size=0.517:MaterialLabel=Air11:Potential=213:ElementType=7 #
cface $3977 -1 $3978 $1393 $3454 0 #
face $3979 -1 -1 $-1 $2526 $3980 $221 $-1 $464 reversed single T -8.5999999999999996 1.2 0 8.5999999999999996
1.3999999999999999 0 F #
fmesh-eye-attrb $-1 -1 $3981 $2955 $2529 #
integer_attrib-name_attrib-gen-attrb $-1 -1 $-1 $-1 $2956 lose lose ignore keep @15_VF_ID_NUM_LOCAL 27 #
coedge $-1 -1 -1 $-1 $3982 $3983 $3984 $3985 reversed $2956 $-1 #
integer_attrib-name_attrib-gen-attrb $-1 -1 $3986 $2957 $2166 lose lose ignore keep @15_VF_ID_NUM_LOCAL 74 #
integer_attrib-name_attrib-gen-attrb $-1 -1 $3987 $2958 $2531 copy keep_all ignore copy @13_VF_PAIR_GROUP 0 #
fctd_mark-eye-attrb $-1 -1 $3988 $-1 $2959 #
loop $3989 -1 -1 $-1 $-1 $3990 $2959 T 1.687868417735416 1.2 0 8.5999999999999996 1.3999999999999999 56.319564344979476
unknown #
integer_attrib-name_attrib-gen-attrb $-1 -1 $-1 $-1 $2960 lose lose ignore keep @15_VF_ID_NUM_LOCAL 25 #
coedge $-1 -1 -1 $-1 $3991 $3573 $3992 $3993 reversed $2960 $-1 #
coedge $-1 -1 -1 $-1 $3994 $2963 $3982 $3735 reversed $2532 $-1 #
coedge $-1 -1 -1 $-1 $2963 $3994 $3658 $3995 forward $2532 $-1 #
coedge $-1 -1 -1 $-1 $3996 $3997 $3736 $3473 forward $3973 $-1 #
edge $3998 -1 -1 $-1 $3739 -0.2269992043072836 $3999 0 $3736 $4000 forward @7 unknown T -14.574787690284523 1.2 0 -
8.5999999999999994 1.2 52.415246047219377 #
string_attrib-name_attrib-gen-attrb $-1 -1 $-1 $-1 $2965 custom custom ignore copy @9_VF_DATA_ @86
12:ENTITYTYPE=29:VERSION=38:Size=0.517:MaterialLabel=Air11:Potential=213:ElementType=7 #
cface $4001 -1 $-1 $1030 $1410 0 #
string_attrib-name_attrib-gen-attrb $-1 -1 $4002 $2966 $1798 custom custom ignore copy @9_VF_DATA_ @68
12:ENTITYTYPE=49:VERSION=225:Information=Internal face11:FaceSense=0 #
string_attrib-name_attrib-gen-attrb $-1 -1 $-1 $-1 $2969 custom custom ignore copy @9_VF_DATA_ @86
12:ENTITYTYPE=29:VERSION=38:Size=0.517:MaterialLabel=Air11:Potential=213:ElementType=7 #
string_attrib-name_attrib-gen-attrb $-1 -1 $4003 $2970 $1801 custom custom ignore copy @9_VF_DATA_ @68
12:ENTITYTYPE=49:VERSION=225:Information=Internal face11:FaceSense=1 #
coedge $-1 -1 -1 $-1 $2972 $2971 $2549 $2985 forward $2174 $-1 #
integer_attrib-name_attrib-gen-attrb $-1 -1 $4004 $-1 $2973 copy keep_all ignore copy @7_VF_PAIR 30 #
straight-curve $-1 -1 -1 $-1 -42.438146628710079 0.8000000000000007 45.725845409478296 0.97236992039767645 0
0.23344536385590534 II #
real_attrib-name_attrib-gen-attrb $-1 -1 $4005 $2974 $1397 lose lose lose keep @11_VF_FACEAREA 10.573622936633269 #
fmesh-eye-attrb $-1 -1 $4006 $2975 $1803 #
integer_attrib-name_attrib-gen-attrb $-1 -1 $4007 $2976 $2177 lose lose ignore keep @15_VF_ID_NUM_LOCAL 66 #
fmesh-eye-attrb $-1 -1 $4008 $2977 $2546 #
fctd_mark-eye-attrb $-1 -1 $4009 $-1 $2978 #
face $4010 -1 -1 $-1 $3454 $3737 $221 $-1 $1054 forward double in T -14.574787690284523 1 0 -8.5999999999999994 1.2
52.415246047219377 F #
loop $4011 -1 -1 $-1 $-1 $2984 $2978 T -14.574787690284527 1 52.415246047219355 1.687868417735416 1.2 56.319564344979469
unknown #
integer_attrib-name_attrib-gen-attrb $-1 -1 $-1 $-1 $2979 lose lose ignore keep @15_VF_ID_NUM_LOCAL 33 #
coedge $-1 -1 -1 $-1 $4012 $2981 $4013 $3659 reversed $2547 $-1 #
coedge $-1 -1 -1 $-1 $2981 $4012 $3976 $3689 reversed $2547 $-1 #
coedge $-1 -1 -1 $-1 $2983 $2982 $3660 $3493 forward $2178 $-1 #
edge $4014 -1 -1 $-1 $3502 -8.5999999999999996 $3692 8.5999999999999996 $3660 $4015 forward @7 unknown T -
8.5999999999999996 1 0 8.5999999999999996 1 0 #
edge $4016 -1 -1 $-1 $3179 -0.2269992043072836 $3502 0 $2986 $4017 forward @7 unknown T -14.574787690284523 1 0 -
8.5999999999999994 1 52.415246047219377 #
edge $4018 -1 -1 $-1 $3692 0 $3226 0.24423969373118543 $3224 $4019 forward @7 unknown T 1.687868417735416 1 0
8.5999999999999996 1 56.319564344979476 #
coedge $-1 -1 -1 $-1 $3984 $2984 $2683 $3177 reversed $3488 $-1 #
coedge $-1 -1 -1 $-1 $2984 $3984 $2710 $3222 reversed $3488 $-1 #
integer_attrib-name_attrib-gen-attrb $-1 -1 $4020 $-1 $2985 copy keep_all ignore copy @7_VF_PAIR 26 #
straight-curve $-1 -1 -1 $-1 -42.438146628710079 1 45.725845409478296 0.97236992039767645 0 0.23344536385590534 II #
coedge $-1 -1 -1 $-1 $3176 $4013 $2982 $3494 reversed $3737 $-1 #
plist-eye-attrb $-1 -1 $4021 $-1 $2987 #
vertex $4022 -1 -1 $-1 $2987 $4023 #

```



```

cface_ptr-ct-attrib $-1 -1 $-1 $3038 $755 $571 $4091 #
rgb_color-st-attrib $-1 -1 $4092 $3039 $1045 0.60000002384185791 0.60000002384185791 0.60000002384185791 #
real_attrib-name_attrib-gen-attrib $-1 -1 $4093 $3040 $1422 lose lose lose keep @11 VF_FACEAREA 11.376684933998627 #
fmesh-eye-attrib $-1 -1 $4094 $3041 $1842 #
integer_attrib-name_attrib-gen-attrib $-1 -1 $4095 $3042 $2227 lose lose ignore keep @15 VF_ID_NUM_LOCAL 86 #
fmesh-eye-attrib $-1 -1 $4096 $3043 $2601 #
fctd_mark-eye-attrib $-1 -1 $4097 $-1 $3044 #
loop $4098 -1 -1 $-1 $-1 $3748 $3044 T -14.574787690284523 1.799999999999998 0 -8.599999999999943 1.999999999999998
52.415246047219377 unknown #
integer_attrib-name_attrib-gen-attrib $-1 -1 $-1 $-1 $3045 lose lose ignore keep @15 VF_ID_NUM_LOCAL 13 #
coedge $-1 -1 -1 $-1 $3121 $3636 $3575 $4099 reversed $3045 $-1 #
coedge $-1 -1 -1 $-1 $3059 $3047 $3585 $4100 forward $2602 $-1 #
coedge $-1 -1 -1 $-1 $3047 $3059 $4101 $4102 reversed $2602 $-1 #
coedge $-1 -1 -1 $-1 $3469 $4103 $4104 $3574 forward $2960 $-1 #
edge $4105 -1 -1 $-1 $4106 0 $4107 0.24423969373118543 $4104 $4108 forward @7 unknown T 1.687868417735416
1.399999999999999 0 8.599999999999996 1.399999999999999 56.319564344979476 #
coedge $-1 -1 -1 $-1 $3049 $3048 $4109 $4099 forward $2228 $-1 #
coedge $-1 -1 -1 $-1 $4110 $3745 $3748 $3577 forward $3964 $-1 #
edge $4111 -1 -1 $-1 $3581 -0.2269992043072836 $3668 0 $3576 $4112 forward @7 unknown T -14.574787690284523
1.799999999999998 0 -8.599999999999943 1.799999999999998 52.415246047219377 #
edge $4113 -1 -1 $-1 $3588 0 $3582 0.24423969373118543 $3052 $4114 forward @7 unknown T 1.687868417735416
1.799999999999998 0 8.599999999999996 1.799999999999998 56.319564344979476 #
coedge $-1 -1 -1 $-1 $3055 $4115 $2604 $3051 forward $3590 $-1 #
integer_attrib-name_attrib-gen-attrib $-1 -1 $4116 $-1 $3051 copy keep_all ignore copy @7 VF_PAIR 10 #
vertex $4117 -1 -1 $-1 $3746 $4118 #
vertex $4119 -1 -1 $-1 $3251 $4120 #
straight-curve $-1 -1 -1 $-1 -42.438146628710079 1.8000000000000007 45.725845409478296 0.97236992039767645 0
0.23344536385590534 I I #
coedge $-1 -1 -1 $-1 $4121 $3250 $3049 $3578 reversed $3816 $-1 #
coedge $-1 -1 -1 $-1 $3053 $3688 $4122 $4100 forward $1857 $-1 #
coedge $-1 -1 -1 $-1 $4123 $4109 $2605 $3054 reversed $4124 $-1 #
plist-eye-attrib $-1 -1 $4125 $-1 $3054 #
vertex $4126 -1 -1 $-1 $3637 $4127 #
coedge $-1 -1 -1 $-1 $4115 $3055 $4128 $3593 reversed $3590 $-1 #
loop $4129 -1 -1 $-1 $-1 $3589 $3961 T -14.574787690284527 1.599999999999999 52.415246047219355 1.687868417735416
1.8000000000000007 56.319564344979469 unknown #
plist-eye-attrib $-1 -1 $4130 $-1 $3056 #
coedge $-1 -1 -1 $-1 $3058 $3057 $4131 $4132 forward $3060 $-1 #
edge $4133 -1 -1 $-1 $4134 28.655101678824138 $3063 45.37986430966415 $4128 $4135 forward @7 unknown T -
14.574787690284527 1.599999999999999 52.415246047219362 1.687868417735416 1.6000000000000014 56.319564344979469 #
coedge $-1 -1 -1 $-1 $4122 $4136 $4123 $3595 forward $3969 $-1 #
edge $4137 -1 -1 $-1 $4138 -8.599999999999996 $3062 8.599999999999996 $3594 $4139 forward @7 unknown T -
8.599999999999996 1.599999999999996 0 8.599999999999996 1.599999999999999 0 #
integer_attrib-name_attrib-gen-attrib $-1 -1 $-1 $-1 $3060 lose lose ignore keep @15 VF_ID_NUM_LOCAL 20 #
face $4140 -1 -1 $-1 $1463 $3060 $221 $-1 $4141 reversed double in T -14.574787690284527 1.599999999999996 0
8.599999999999996 1.6000000000000014 56.319564344979476 F #
integer_attrib-name_attrib-gen-attrib $-1 -1 $4142 $3061 $2608 copy keep_all ignore copy @13 VF_PAIR_GROUP 3 #
integer_attrib-name_attrib-gen-attrib $-1 -1 $4143 $-1 $3062 copy keep_all ignore copy @7 VF_PAIR 14 #
point $-1 -1 -1 $-1 8.599999999999996 1.599999999999999 0 #
integer_attrib-name_attrib-gen-attrib $-1 -1 $4144 $-1 $3063 copy keep_all ignore copy @7 VF_PAIR 12 #
point $-1 -1 -1 $-1 1.687868417735416 1.599999999999999 56.319564344979469 #
string_attrib-name_attrib-gen-attrib $-1 -1 $-1 $-1 $3067 custom custom ignore copy @9 _VF_DATA_ @68
12:ENTITYTYPE=29:VERSION=36:Size=117:MaterialLabel=Air11:Potential=2 #
cface $4145 -1 $4146 $3068 $3802 1 #
cface $4147 -1 $4148 $3068 $1908 1 #
cell3d-cell $4149 -1 $4150 $127 $-1 1 $3068 #
string_attrib-name_attrib-gen-attrib $-1 -1 $-1 $-1 $3070 custom custom ignore copy @9 _VF_DATA_ @68
12:ENTITYTYPE=29:VERSION=36:Size=317:MaterialLabel=Air11:Potential=2 #
cface $4151 -1 $4037 $3444 $1401 0 #
cface_ptr-ct-attrib $-1 -1 $-1 $3071 $760 $4152 $2555 #
integer_attrib-name_attrib-gen-attrib $-1 -1 $4153 $3072 $1052 lose lose ignore keep @15 VF_ID_NUM_LOCAL 50 #
string_attrib-name_attrib-gen-attrib $-1 -1 $4154 $3074 $1853 custom custom ignore copy @9 _VF_DATA_ @63
12:ENTITYTYPE=89:VERSION=234:Information=paired edge [layering] #
integer_attrib-name_attrib-gen-attrib $-1 -1 $-1 $3075 $1855 lose lose ignore keep @15 VF_ID_NUM_LOCAL 65 #
plist-eye-attrib $-1 -1 $4155 $-1 $3078 #
vertex $4156 -1 -1 $-1 $3078 $4157 #
straight-curve $-1 -1 -1 $-1 16.543821477061925 0 61.15469622206308 1 0 0 I I #
coedge $-1 -1 -1 $-1 $3545 $3544 $2621 $3081 forward $3546 $-1 #
plist-eye-attrib $-1 -1 $4158 $-1 $3081 #
vertex $4159 -1 -1 $-1 $3810 $4160 #
straight-curve $-1 -1 -1 $-1 17.824999999999999 19.150000000000006 0 -1 0 0 I I #
coedge $-1 -1 -1 $-1 $3082 $4161 $4162 $4163 reversed $3084 $-1 #

```

```

coedge $-1 -1 -1 $-1 $4164 $3088 $3082 $3622 forward $3630 $-1 #
edge $4165 -1 -1 $-1 $2626 5 $4166 19 $3621 $4167 forward @7 unknown T 30 0 0 44 0 0 #
integer_attr-name_attr-gen-attr $-1 -1 -1 $-1 $3084 lose lose ignore keep @15 VF_ID_NUM_LOCAL 91 #
coedge $-1 -1 -1 $-1 $4168 $3098 $4169 $4170 forward $3084 $-1 #
face $4171 -1 -1 $-1 $3204 $3084 $221 $-1 $4172 reversed single T -44 0 0 44 34.150000000000002 1.4260540990261583e-014 F #
integer_attr-name_attr-gen-attr $-1 -1 -1 $-1 $3085 $2623 lose lose ignore keep @15 VF_ID_NUM_LOCAL 13 #
integer_attr-name_attr-gen-attr $-1 -1 -1 $-1 $3086 lose lose ignore keep @15 VF_ID_NUM_LOCAL 12 #
edge $4173 -1 -1 $-1 $3086 0 $3238 0.26569423122201297 $3545 $4174 reversed @7 unknown T 21.827642113708748
19.150000000000006 0 30 19.150000000000006 61.154696222063265 #
point $-1 -1 -1 $-1 30 19.150000000000006 0 #
loop $4175 -1 -1 $-1 $-1 $3809 $4176 T 21.827642113708748 0 0 44 0 61.154696222063095 unknown #
ptlist-eye-attr $-1 -1 $4177 $-1 $3089 #
ellipse-curve $-1 -1 -1 $-1 -202.90000000000001 0 0 0 1 0 232.90000000000001 0 0 1 II #
coedge $-1 -1 -1 $-1 $3243 $3242 $2628 $3094 forward $3245 $-1 #
ptlist-eye-attr $-1 -1 $4178 $-1 $3094 #
straight-curve $-1 -1 -1 $-1 -3.6200578592092825 -49.785245901639335 0 -0.22903933372554727 -0.97341716833357594 0 II #
coedge $-1 -1 -1 $-1 $3570 $3665 $4121 $3637 reversed $3045 $-1 #
edge $4179 -1 -1 $-1 $3588 0.72499999999994369 $3641 0.92499999999994365 $3636 $1450 forward @7 unknown T
8.5999999999999943 1.799999999999998 0 8.599999999999996 1.999999999999998 0 #
coedge $-1 -1 -1 $-1 $3096 $4169 $3822 $3642 reversed $3129 $-1 #
coedge $-1 -1 -1 $-1 $3253 $3252 $2629 $3097 forward $3254 $-1 #
ptlist-eye-attr $-1 -1 $4180 $-1 $3097 #
vertex $4181 -1 -1 $-1 $3097 $4182 #
edge $4183 -1 -1 $-1 $3101 -8.599999999999996 $4184 -3 $3638 $4185 forward @7 unknown T 3 2.1200000000000001 0
8.599999999999996 2.1200000000000001 0 #
integer_attr-name_attr-gen-attr $-1 -1 $-1 $3100 $2631 lose lose ignore keep @15 VF_ID_NUM_LOCAL 10 #
integer_attr-name_attr-gen-attr $-1 -1 $-1 $3101 lose lose ignore keep @15 VF_ID_NUM_LOCAL 9 #
point $-1 -1 -1 $-1 8.599999999999996 2.1200000000000001 0 #
integer_attr-name_attr-gen-attr $-1 -1 $-1 $3102 lose lose ignore keep @15 VF_ID_NUM_LOCAL 10 #
point $-1 -1 -1 $-1 8.5999999999999943 2.150000000000009 0 #
integer_attr-name_attr-gen-attr $-1 -1 $4186 $3104 $2251 lose lose ignore keep @15 VF_ID_NUM_LOCAL 3 #
fmesh-eye-attr $-1 -1 $4187 $3105 $2633 #
fctd_mark-eye-attr $-1 -1 $4188 $-1 $3106 #
face $4189 -1 -1 $-1 $4190 $3194 $221 $-1 $4191 forward double in T -18.366448438385049 2.149999999995154 0 -
8.5999999999999943 19.150000000000205 52.415246047219384 F #
cone-surface $-1 -1 -1 $-1 -262.8999999999998 0 0 0 1 0 232.90000000000001 0 0 1 II 0 1 232.90000000000001 forward III #
integer_attr-name_attr-gen-attr $-1 -1 $-1 $3108 $1859 lose lose ignore keep @15 VF_ID_NUM_LOCAL 66 #
integer_attr-name_attr-gen-attr $-1 -1 $4192 $3109 $2636 copy keep_all ignore copy @13 VF_PAIR_GROUP 2 #
integer_attr-name_attr-gen-attr $-1 -1 $4193 $3112 $2638 copy keep_all ignore copy @13 VF_PAIR_GROUP 2 #
integer_attr-name_attr-gen-attr $-1 -1 $-1 $3114 $1440 lose lose ignore keep @15 VF_ID_NUM_LOCAL 64 #
string_attr-name_attr-gen-attr $-1 -1 $4194 $3115 $1866 custom custom ignore copy @9 _VF_DATA_ @63
12:ENTITYTYPE=89:VERSION=234:Information=paired edge [layering] #
coedge $-1 -1 -1 $-1 $3116 $3662 $4195 $3995 forward $1868 $-1 #
edge $4196 -1 -1 $-1 $3999 -0.1249999999999756 $3502 0.07500000000002398 $3490 $1445 forward @7 unknown T -
8.599999999999996 1 0 -8.599999999999943 1.2 0 #
coedge $-1 -1 -1 $-1 $3136 $3117 $2981 $3493 forward $2573 $-1 #
integer_attr-name_attr-gen-attr $-1 -1 $-1 $3119 $2643 lose lose ignore keep @15 VF_ID_NUM_LOCAL 120 #
coedge $-1 -1 -1 $-1 $3658 $3120 $4136 $4197 forward $1868 $-1 #
coedge $-1 -1 -1 $-1 $4109 $4123 $4110 $3664 reversed $4124 $-1 #
edge $4198 -1 -1 $-1 $3668 -0.7249999999999742 $4138 -0.5249999999999747 $3663 $1445 forward @7 unknown T -
8.599999999999996 1.599999999999999 0 -8.5999999999999943 1.799999999999998 0 #
coedge $-1 -1 -1 $-1 $3636 $3121 $3127 $3679 forward $3045 $-1 #
coedge $-1 -1 -1 $-1 $3748 $3747 $2644 $3122 forward $3568 $-1 #
ptlist-eye-attr $-1 -1 $4199 $-1 $3122 #
vertex $4200 -1 -1 $-1 $3664 $4201 #
coedge $-1 -1 -1 $-1 $3147 $3124 $3754 $3670 reversed $3084 $-1 #
edge $4202 -1 -1 $-1 $3703 53.343260824679952 $3673 70.807510021253023 $3754 $4203 reversed @7 unknown T -
12.600000000000019 2.149999999999906 0 -8.599999999999943 19.150000000000006 1.4260540990261583e-014 #
coedge $-1 -1 -1 $-1 $3124 $4204 $3126 $3677 forward $3084 $-1 #
ptlist-eye-attr $-1 -1 $4205 $-1 $3125 #
vertex $4206 -1 -1 $-1 $3125 $4207 #
straight-curve $-1 -1 -1 $-1 -8.599999999999943 1.0750000000000024 0 0 -1 0 II #
coedge $-1 -1 -1 $-1 $4208 $3126 $4209 $4210 reversed $3129 $-1 #
coedge $-1 -1 -1 $-1 $3200 $4211 $3671 $3677 forward $3764 $-1 #
edge $4212 -1 -1 $-1 $4213 -0.05000000000000266 $3131 5.75 $3126 $4214 forward @7 unknown T -8.599999999999996
2.129999999999999 0 -2.799999999999994 2.129999999999999 0 #
coedge $-1 -1 -1 $-1 $3552 $3551 $3665 $3679 forward $3553 $-1 #
edge $4215 -1 -1 $-1 $3132 -8.599999999999996 $3641 8.599999999999996 $3665 $4216 forward @7 unknown T -
8.599999999999996 1.999999999999998 0 8.599999999999996 2 0 #
integer_attr-name_attr-gen-attr $-1 -1 $-1 $3129 lose lose ignore keep @15 VF_ID_NUM_LOCAL 4 #
face $4217 -1 -1 $-1 $3752 $3129 $221 $-1 $464 reversed single T -8.599999999999996 1.999999999999998 0
8.599999999999996 2.150000000000004 0 F #

```

```

integer_attr-name_attr-gen-attr $-1 -1 $-1 $3130 $2647 lose lose ignore keep @15 VF_ID_NUM_LOCAL 183 #
integer_attr-name_attr-gen-attr $-1 -1 $-1 $3131 lose lose ignore keep @15 VF_ID_NUM_LOCAL 5 #
point $-1 -1 -1 $-1 -8.599999999999996 2.129999999999999 0 #
integer_attr-name_attr-gen-attr $-1 -1 $4218 $-1 $3132 copy keep_all ignore copy @7 VF_PAIR 7 #
point $-1 -1 -1 $-1 -8.599999999999996 1.999999999999998 0 #
integer_attr-name_attr-gen-attr $-1 -1 $4219 $3133 $2264 lose lose ignore keep @15 VF_ID_NUM_LOCAL 2 #
coedge $-1 -1 -1 $-1 $3585 $3135 $4220 $4221 forward $1857 $-1 #
edge $4222 -1 -1 $-1 $3692 -0.075000000000056133 $4223 0.12499999999994382 $3491 $1450 forward @7 unknown T
8.599999999999943 1 0 8.599999999999996 1.2 0 #
coedge $-1 -1 -1 $-1 $3224 $3223 $2650 $3137 forward $2979 $-1 #
ptlist-eye-attr $-1 -1 $4224 $-1 $3137 #
vertex $4225 -1 -1 $-1 $3689 $4226 #
integer_attr-name_attr-gen-attr $-1 -1 $-1 $3138 $2652 lose lose ignore keep @15 VF_ID_NUM_LOCAL 122 #
integer_attr-name_attr-gen-attr $-1 -1 $4227 $-1 $3139 copy keep_all ignore copy @7 VF_PAIR 30 #
point $-1 -1 -1 $-1 8.599999999999996 0.8000000000000004 0 #
string_attr-name_attr-gen-attr $-1 -1 $4228 $3141 $2269 custom custom ignore copy @9 _VF_DATA_ @66
13:ENTITYTYPE=169:VERSION=236:Information=paired vertex [layering] #
ptlist-eye-attr $-1 -1 $4229 $3142 $2270 #
integer_attr-name_attr-gen-attr $-1 -1 $-1 $3143 $1881 lose lose ignore keep @15 VF_ID_NUM_LOCAL 93 #
fctd_mark-eye-attr $-1 -1 $4230 $-1 $3145 #
string_attr-name_attr-gen-attr $-1 -1 $4231 $3146 $1884 custom custom ignore copy @9 _VF_DATA_ @63
12:ENTITYTYPE=89:VERSION=234:Information=paired edge [layering] #
coedge $-1 -1 -1 $-1 $3755 $3719 $2666 $3148 forward $4232 $-1 #
ptlist-eye-attr $-1 -1 $4233 $-1 $3148 #
vertex $4234 -1 -1 $-1 $3756 $4235 #
straight-curve $-1 -1 -1 $-1 -17.824999999999999 19.150000000000006 0 -1 0 0 II #
coedge $-1 -1 -1 $-1 $4236 $3149 $4237 $4059 reversed $3084 $-1 #
coedge $-1 -1 -1 $-1 $3712 $4238 $3149 $3707 forward $3730 $-1 #
edge $4239 -1 -1 $-1 $4240 -18.99999999999972 $2671 -4.999999999999716 $3706 $4241 forward @7 unknown T -
43.99999999999972 0 0 -29.99999999999972 0 0 #
integer_attr-name_attr-gen-attr $-1 -1 $-1 $3151 $2668 lose lose ignore keep @15 VF_ID_NUM_LOCAL 6 #
integer_attr-name_attr-gen-attr $-1 -1 $-1 $3152 lose lose ignore keep @15 VF_ID_NUM_LOCAL 6 #
edge $4242 -1 -1 $-1 $3152 0 $3167 0.20554466681645578 $3163 $4243 reversed @7 unknown T -34.90255361194221
19.150000000000006 0 -29.99999999999972 19.150000000000006 47.534981229876706 #
point $-1 -1 -1 $-1 -29.99999999999972 19.150000000000006 0 #
coedge $-1 -1 -1 $-1 $3170 $3706 $2669 $3155 forward $3730 $-1 #
ptlist-eye-attr $-1 -1 $4244 $-1 $3155 #
ellipse-curve $-1 -1 -1 $-1 -262.8999999999998 0 0 0 1 0 232.9000000000001 0 0 1 II #
real_attr-name_attr-gen-attr $-1 -1 $4245 $3159 $1463 lose lose lose keep @11 VF_FACEAREA 10.573622936633271 #
integer_attr-name_attr-gen-attr $-1 -1 $-1 $3160 $1467 lose lose ignore keep @15 VF_ID_NUM_LOCAL 108 #
coedge $-1 -1 -1 $-1 $3161 $3232 $3024 $3540 forward $2707 $-1 #
ptlist-eye-attr $-1 -1 $4246 $-1 $3162 #
coedge $-1 -1 -1 $-1 $3701 $4069 $3163 $3710 reversed $4232 $-1 #
coedge $-1 -1 -1 $-1 $4061 $3164 $2680 $3171 reversed $3721 $-1 #
loop $4247 -1 -1 $-1 $-1 $4061 $4248 T -35.543854992528225 0 47.534981229876706 -34.902553611942167 19.150000000000006
47.534981229876706 unknown #
integer_attr-name_attr-gen-attr $-1 -1 $-1 $3165 lose lose ignore keep @15 VF_ID_NUM_LOCAL 95 #
integer_attr-name_attr-gen-attr $-1 -1 $-1 $3166 $2679 lose lose ignore keep @15 VF_ID_NUM_LOCAL 19 #
integer_attr-name_attr-gen-attr $-1 -1 $-1 $3167 lose lose ignore keep @15 VF_ID_NUM_LOCAL 17 #
point $-1 -1 -1 $-1 -34.90255361194221 19.150000000000006 47.534981229876706 #
coedge $-1 -1 -1 $-1 $3169 $3240 $4249 $4250 reversed $2318 $-1 #
coedge $-1 -1 -1 $-1 $4251 $4252 $4253 $3728 reversed $4254 $-1 #
edge $4255 -1 -1 $-1 $4256 -20.50000000000014 $3732 19.350291165867809 $4253 $4257 forward @7 unknown T -
44.846720713508006 0 47.534981229876706 -35.543854992528225 0 86.284205678655809 #
coedge $-1 -1 -1 $-1 $4238 $3170 $4060 $4258 reversed $3730 $-1 #
loop $4259 -1 -1 $-1 $-1 $3170 $4260 T -48.90255361194221 0 0 -29.99999999999972 0 47.534981229876706 unknown #
ptlist-eye-attr $-1 -1 $4261 $-1 $3171 #
vertex $4262 -1 -1 $-1 $3171 $4263 #
straight-curve $-1 -1 -1 $-1 -35.1387274543508 0 47.534981229876706 1 0 0 II #
coedge $-1 -1 -1 $-1 $3175 $3184 $4264 $4265 forward $1470 $-1 #
edge $4266 -1 -1 $-1 $4267 -0.3349999999999863 $3739 -0.1349999999999868 $3175 $1473 forward @7 unknown T -
14.574787690284523 1.2 52.415246047219355 -14.574787690284523 1.399999999999999 52.41524604721937 #
coedge $-1 -1 -1 $-1 $4013 $3176 $2963 $3473 forward $3737 $-1 #
loop $4268 -1 -1 $-1 $-1 $3500 $3487 T -14.574787690284523 1 0 -8.599999999999943 1.2 52.415246047219377 unknown #
ptlist-eye-attr $-1 -1 $4269 $-1 $3177 #
vertex $4270 -1 -1 $-1 $3177 $4271 #
integer_attr-name_attr-gen-attr $-1 -1 $-1 $3178 $2684 lose lose ignore keep @15 VF_ID_NUM_LOCAL 131 #
integer_attr-name_attr-gen-attr $-1 -1 $4272 $-1 $3179 copy keep_all ignore copy @7 VF_PAIR 25 #
point $-1 -1 -1 $-1 -14.574787690284523 1 52.41524604721937 #
integer_attr-name_attr-gen-attr $-1 -1 $4273 $3181 $2687 copy keep_all ignore copy @13 VF_PAIR_GROUP 1 #
string_attr-name_attr-gen-attr $-1 -1 $4274 $3183 $2296 custom custom ignore copy @9 _VF_DATA_ @66
13:ENTITYTYPE=169:VERSION=236:Information=paired vertex [layering] #

```

coedge \$-1 -1 -1 \$-1 \$3576 \$4275 \$4115 \$3746 reversed \$3964 \$-1 #
 edge \$4276 -1 -1 \$-1 \$3581 -0.73499999999999854 \$4134 -0.53499999999999859 \$3184 \$1473 forward @7 unknown T -
 14.574787690284523 1.5999999999999999 52.415246047219355 -14.574787690284523 1.7999999999999998 52.41524604721937 #
 coedge \$-1 -1 -1 \$-1 \$3666 \$3185 \$3188 \$3750 forward \$3568 \$-1 #
 coedge \$-1 -1 -1 \$-1 \$3185 \$3666 \$3048 \$3577 reversed \$3568 \$-1 #
 plist-eye-attr \$-1 -1 \$4277 \$-1 \$3186 #
 edge \$4278 -1 -1 \$-1 \$3035 -0.226992043072836 \$3132 0 \$3747 \$4279 forward @7 unknown T -14.574787690284523
 1.9999999999999998 0 -8.5999999999999943 1.9999999999999998 52.415246047219377 #
 integer_attr-name_attr-gen-attr \$-1 -1 \$-1 \$3189 lose lose ignore keep @15 VF_ID_NUM_LOCAL 3 #
 face \$4280 -1 -1 \$-1 \$1043 \$3189 \$221 \$-1 \$1054 forward double in T -14.574787690284523 1.9999999999999998 0 -
 8.5999999999999943 2.1300000000000003 52.415246047219377 F #
 integer_attr-name_attr-gen-attr \$-1 -1 \$-1 \$3190 \$2693 lose lose ignore keep @15 VF_ID_NUM_LOCAL 184 #
 coedge \$-1 -1 -1 \$-1 \$3192 \$3191 \$3123 \$3670 forward \$3194 \$-1 #
 coedge \$-1 -1 -1 \$-1 \$4069 \$3701 \$3191 \$3756 forward \$4232 \$-1 #
 edge \$4281 -1 -1 \$-1 \$3703 -1.5707963267948966 \$3196 -1.3478067179854971 \$3755 \$4282 reversed @7 unknown T -
 18.366448438384964 19.150000000000006 1.4260540990261583e-014 -12.599999999999994 19.150000000000006
 51.50494883996263 #
 integer_attr-name_attr-gen-attr \$-1 -1 \$-1 \$3194 lose lose ignore keep @15 VF_ID_NUM_LOCAL 94 #
 integer_attr-name_attr-gen-attr \$-1 -1 \$-1 \$3195 \$2695 lose lose ignore keep @15 VF_ID_NUM_LOCAL 21 #
 integer_attr-name_attr-gen-attr \$-1 -1 \$-1 \$3196 lose lose ignore keep @15 VF_ID_NUM_LOCAL 19 #
 point \$-1 -1 -1 \$-1 -18.366448438384964 19.150000000000006 51.504948839962623 #
 plist-eye-attr \$-1 -1 \$4283 \$-1 \$3199 #
 ellipse-curve \$-1 -1 -1 \$-1 -241.5 2.15000000000000128 0 -8.5805128566993635e-017 1 0 0 0 232.90000000000001 1 1 I #
 coedge \$-1 -1 -1 \$-1 \$4211 \$3200 \$3028 \$3209 reversed \$3764 \$-1 #
 loop \$4284 -1 -1 \$-1 \$3763 \$4285 T -14.574787690284527 2.1299999999999999 0 -2.7999999999999994 2.1300000000000008
 53.733624414536493 unknown #
 plist-eye-attr \$-1 -1 \$4286 \$-1 \$3201 #
 ellipse-curve \$-1 -1 -1 \$-1 -241.5 2.1299999999999999 0 0 1 0 232.90000000000001 0 0 1 1 I #
 coedge \$-1 -1 -1 \$-1 \$3202 \$4287 \$4288 \$4083 forward \$2739 \$-1 #
 fctd_mark-eye-attr \$-1 -1 \$4289 \$-1 \$3204 #
 face \$4290 -1 -1 \$-1 \$3802 \$3245 \$221 \$-1 \$4291 forward double in T 1.687868417735416 2.1499999999999998 0 -
 12.599999999999994 19.15000000000000134 57.225229136680923 F #
 cone-surface \$-1 -1 -1 \$-1 -241.5 0 0 0 1 0 232.90000000000001 0 0 1 1 I 0 -1 232.90000000000001 forward I I I I #
 plist-eye-attr \$-1 -1 \$4292 \$-1 \$3209 #
 vertex \$4293 -1 -1 \$-1 \$4083 \$4294 #
 straight-curve \$-1 -1 -1 \$-1 -45.132830925678505 2.1300000000000008 45.07890894734944 -0.97236992039767645 0 -
 0.23344536385590534 1 1 #
 string_attr-name_attr-gen-attr \$-1 -1 \$4295 \$3211 \$1899 custom custom ignore copy @9 _VF_DATA_ @68
 12:ENTITYTYPE=49:VERSION=225:Information=Internal face11:FaceSense=1 #
 integer_attr-name_attr-gen-attr \$-1 -1 \$4296 \$3212 \$2302 lose lose ignore keep @15 VF_ID_NUM_LOCAL 46 #
 fmesh-eye-attr \$-1 -1 \$4297 \$3213 \$2706 #
 fctd_mark-eye-attr \$-1 -1 \$4298 \$-1 \$3214 #
 face \$4299 -1 -1 \$-1 \$4300 \$221 \$-1 \$4301 reversed double in T 12.523104589954876 0 61.15469622206308 21.862837159370077
 19.150000000000002 100.0574821461542 F #
 loop \$4302 -1 -1 \$-1 \$4303 \$3214 T -44.846720713508006 0 47.534981229876706 -35.543854992528225 19.150000000000002
 86.284205678655809 unknown #
 plane-surface \$-1 -1 -1 \$-1 -40.061090754461944 9.5750000000000011 66.350622310503439 0.97236992039767667 0
 0.23344536385590539 0.2334453638559052 0 -0.97236992039767589 forward_v I I I I #
 integer_attr-name_attr-gen-attr \$-1 -1 \$-1 \$3215 lose lose ignore keep @15 VF_ID_NUM_LOCAL 53 #
 coedge \$-1 -1 -1 \$-1 \$4304 \$4249 \$4305 \$4306 forward \$3215 \$-1 #
 coedge \$-1 -1 -1 \$-1 \$4307 \$3218 \$4308 \$4309 reversed \$2707 \$-1 #
 coedge \$-1 -1 -1 \$-1 \$3249 \$3220 \$3572 \$4102 forward \$1476 \$-1 #
 coedge \$-1 -1 -1 \$-1 \$3990 \$4104 \$3983 \$3786 reversed \$3467 \$-1 #
 edge \$4310 -1 -1 \$-1 \$3789 0.14000000000000123 \$4107 0.34000000000000119 \$3220 \$1479 forward @7 unknown T
 1.687868417735416 1.2 56.319564344979455 1.687868417735416 1.3999999999999999 56.319564344979469 #
 coedge \$-1 -1 -1 \$-1 \$3221 \$3976 \$3990 \$4311 forward \$2952 \$-1 #
 plist-eye-attr \$-1 -1 \$4312 \$-1 \$3222 #
 vertex \$4313 -1 -1 \$-1 \$3786 \$4314 #
 integer_attr-name_attr-gen-attr \$-1 -1 \$-1 \$3225 \$2712 lose lose ignore keep @15 VF_ID_NUM_LOCAL 133 #
 integer_attr-name_attr-gen-attr \$-1 -1 \$4315 \$-1 \$3226 copy keep_all ignore copy @7 VF_PAIR 24 #
 point \$-1 -1 -1 \$-1 1.687868417735416 1 56.319564344979469 #
 integer_attr-name_attr-gen-attr \$-1 -1 \$4316 \$-1 \$3227 copy keep_all ignore copy @7 VF_PAIR 28 #
 ellipse-curve \$-1 -1 -1 \$-1 -224.30000000000001 0.7999999999999998 0 0 -1 0 232.90000000000001 0 0 1 1 I #
 integer_attr-name_attr-gen-attr \$-1 -1 \$4317 \$3229 \$2715 copy keep_all ignore copy @13 VF_PAIR_GROUP 0 #
 string_attr-name_attr-gen-attr \$-1 -1 \$4318 \$3231 \$2308 custom custom ignore copy @9 _VF_DATA_ @66
 13:ENTITYTYPE=169:VERSION=236:Information=paired vertex [layering] #
 coedge \$-1 -1 -1 \$-1 \$3232 \$4319 \$4074 \$3805 forward \$2707 \$-1 #
 coedge \$-1 -1 -1 \$-1 \$4320 \$3235 \$3797 \$3805 reversed \$3800 \$-1 #
 coedge \$-1 -1 -1 \$-1 \$3235 \$4320 \$2722 \$3078 reversed \$3800 \$-1 #
 loop \$4321 -1 -1 \$-1 \$3798 \$4322 T 21.827642113708748 0 61.15469622206308 21.862837159370077 19.150000000000006
 61.154696222063265 unknown #
 integer_attr-name_attr-gen-attr \$-1 -1 \$-1 \$3236 lose lose ignore keep @15 VF_ID_NUM_LOCAL 88 #

```

face $4323 -1 -1 $-1 $4260 $3236 $221 $-1 $4324 forward double in T 21.827642113708748 0 0 30 19.150000000000006
61.154696222063265 F #
integer_attr-name_attr-gen-attr $-1 -1 $-1 $3237 $2721 lose lose ignore keep @15 VF_ID_NUM_LOCAL 44 #
integer_attr-name_attr-gen-attr $-1 -1 $-1 $3238 lose lose ignore keep @15 VF_ID_NUM_LOCAL 20 #
edge $4325 -1 -1 $-1 $4326 -5.3190156823081516 $3238 -5.2838206366468228 $3797 $4327 forward @7 unknown T
21.827642113708748 19.150000000000002 61.15469622206308 21.862837159370077 19.150000000000006 61.154696222063265 #
point $-1 -1 -1 $-1 21.827642113708748 19.150000000000006 61.154696222063265 #
coedge $-1 -1 -1 $-1 $4328 $4305 $4329 $3808 forward $4300 $-1 #
edge $4330 -1 -1 $-1 $4331 -20.499999999999986 $3614 19.508216120240359 $3807 $4332 forward @7 unknown T
12.523104589954876 0 61.15469622206308 21.862837159370077 0 100.0574821461542 #
coedge $-1 -1 -1 $-1 $3241 $4164 $4333 $4334 reversed $3630 $-1 #
edge $4335 -1 -1 $-1 $3618 -1.5707963267948966 $3247 -1.322547037565827 $3243 $4336 reversed @7 unknown T
5.4602337663884271 19.150000000000006 1.4260540990261583e-014 12.599999999999994 19.150000000000006
57.225229136680923 #
integer_attr-name_attr-gen-attr $-1 -1 $-1 $3245 lose lose ignore keep @15 VF_ID_NUM_LOCAL 89 #
integer_attr-name_attr-gen-attr $-1 -1 $-1 $3246 $2724 lose lose ignore keep @15 VF_ID_NUM_LOCAL 42 #
integer_attr-name_attr-gen-attr $-1 -1 $-1 $3247 lose lose ignore keep @15 VF_ID_NUM_LOCAL 21 #
point $-1 -1 -1 $-1 5.4602337663884839 19.150000000000006 57.225229136680909 #
coedge $-1 -1 -1 $-1 $3250 $4121 $3252 $3818 forward $3816 $-1 #
loop $4337 -1 -1 $-1 $3584 $4338 T 1.687868417735416 1.799999999999998 0 8.599999999999996 2 56.319564344979476
unknown #
ptlist-eye-attr $-1 -1 $4339 $-1 $3251 #
edge $4340 -1 -1 $-1 $3641 0 $3036 0.24423969373118543 $3815 $4341 forward @7 unknown T 1.687868417735416
1.999999999999998 0 8.599999999999996 2 56.319564344979476 #
integer_attr-name_attr-gen-attr $-1 -1 $-1 $3254 lose lose ignore keep @15 VF_ID_NUM_LOCAL 6 #
face $4342 -1 -1 $-1 $3145 $3254 $221 $-1 $577 forward double in T 1.687868417735416 1.999999999999998 0
8.599999999999996 2.120000000000001 56.319564344979476 F #
integer_attr-name_attr-gen-attr $-1 -1 $-1 $3255 $2727 lose lose ignore keep @15 VF_ID_NUM_LOCAL 182 #
coedge $-1 -1 -1 $-1 $4343 $3256 $3098 $3642 forward $3824 $-1 #
coedge $-1 -1 -1 $-1 $3256 $4343 $3029 $3264 reversed $3824 $-1 #
loop $4344 -1 -1 $-1 $3823 $3839 T -3.599559625954754 2.119999999999992 0 8.599999999999996 2.120000000000001
56.319564344979476 unknown #
ptlist-eye-attr $-1 -1 $4345 $-1 $3257 #
ellipse-curve $-1 -1 -1 $-1 -224.30000000000001 2.120000000000001 0 0 -1 0 232.90000000000001 0 0 1 I I #
ptlist-eye-attr $-1 -1 $4346 $-1 $3258 #
ellipse-curve $-1 -1 -1 $-1 -224.30000000000001 2.149999999999915 0 -1.3919498634201189e-016 -1 0 0 232.90000000000001 1 1
I #
coedge $-1 -1 -1 $-1 $4287 $3259 $4347 $4084 forward $2739 $-1 #
fctd_mark-eye-attr $-1 -1 $4348 $-1 $3261 #
cone-surface $-1 -1 -1 $-1 -224.30000000000001 4 0 0 -1 0 232.90000000000001 0 0 1 I I 0 1 232.90000000000001 forward I I I I #
ptlist-eye-attr $-1 -1 $4349 $-1 $3264 #
vertex $4350 -1 -1 $-1 $4084 $4351 #
straight-curve $-1 -1 -1 $-1 -42.438146628710079 2.119999999999992 45.725845409478296 -0.97236992039767645 0 -
0.23344536385590534 I I #
string_attr-name_attr-gen-attr $-1 -1 $4352 $3268 $1908 custom custom ignore copy @9 _VF_DATA_ @68
12:ENTITYTYPE=49:VERSION=225:Information=Internal face 11:FaceSense=1 #
integer_attr-name_attr-gen-attr $-1 -1 $4353 $3269 $2316 lose lose ignore keep @15 VF_ID_NUM_LOCAL 17 #
fmesh-eye-attr $-1 -1 $4354 $3270 $2738 #
fctd_mark-eye-attr $-1 -1 $4355 $-1 $3271 #
face $4356 -1 -1 $-1 $4338 $3824 $221 $-1 $4357 reversed double in T -3.599559625954754 2.119999999999992 0
8.599999999999996 2.120000000000001 56.319564344979476 F #
loop $4358 -1 -1 $-1 $4347 $3271 T -3.599559625954754 2.119999999999997 0 3 2.149999999999999 55.050165181524932
unknown #
cone-surface $-1 -1 -1 $-1 -229.90000000000001 2.149999999999995 0 0 -1 0 232.90000000000001 0 0 1 I I 0 1
232.90000000000001 forward I I I I #
integer_attr-name_attr-gen-attr $-1 -1 $-1 $3272 lose lose ignore keep @15 VF_ID_NUM_LOCAL 82 #
coedge $-1 -1 -1 $-1 $4359 $4360 $4082 $4361 reversed $3272 $-1 #
fmesh-eye-attr $-1 -1 $4362 $3276 $2742 #
string_attr-name_attr-gen-attr $-1 -1 $4363 $3278 $1913 custom custom ignore copy @9 _VF_DATA_ @63
12:ENTITYTYPE=89:VERSION=234:Information=paired edge [layering] #
string_attr-name_attr-gen-attr $-1 -1 $4364 $3280 $0 keep keep_kept ignore copy @14 VF_COLOUR_DATA @47
7:NAME=209:VERSION=213:List=Coiltype9:Label=ARC #
string_attr-name_attr-gen-attr $-1 -1 $-1 $3284 custom custom ignore copy @9 _VF_DATA_ @89
12:ENTITYTYPE=29:VERSION=36:Size=319:MaterialLabel=ferro 11:Potential=516:VolumeLabel=pack #
cface $4365 -1 $4366 $354 $2436 0 #
integer_attr-name_attr-gen-attr $-1 -1 $4367 $-1 $3285 lose lose ignore keep @15 VF_ID_NUM_LOCAL 15 #
plane-surface $-1 -1 -1 $-1 0.1000000000000009 2.149999999999999 -5 0 -1 0 0 -1 forward_v I I I I #
real_attr-name_attr-gen-attr $-1 -1 $4368 $3286 $2765 lose lose lose keep @11 VF_FACEAREA 1.6672832047074058 #
integer_attr-name_attr-gen-attr $-1 -1 $4369 $-1 $3287 lose lose ignore keep @15 VF_ID_NUM_LOCAL 14 #
cone-surface $-1 -1 -1 $-1 -235.70000000000002 0 0 0 1 0 232.90000000000001 0 0 1 I I 0 -1 232.90000000000001 forward I I I I #
rgb_color-st-attr $-1 -1 $4370 $3289 $2359 0.54901963472366333 0.90196079015731812 0.019607843831181526 #
cface_ptr-ct-attr $-1 -1 $4371 $3291 $1981 $-1 $1568 #

```

edge \$4372 -1 -1 \$-1 \$3349 -0.24423969373118531 \$3373 0 \$3292 \$4373 forward @7 unknown T 1.687868417735416
 2.1199999999999992 0 8.5999999999999996 2.1200000000000001 56.319564344979455 #
 rgb_color-st-attrib \$-1 -1 \$-1 \$3294 \$1569 0.54901963472366333 0.90196079015731812 0.019607843831181526 #
 cface_ptr-ct-attrib \$-1 -1 \$4374 \$3295 \$1983 \$-1 \$2792 #
 edge \$4375 -1 -1 \$-1 \$3861 53.353533912442735 \$3305 70.817783109015636 \$3296 \$4376 reversed @7 unknown T
 8.5999999999999925 2.1500000000000838 0 12.599999999999994 19.150000000000013 1.4260540990261583e-014 #
 integer_attrib-name_attrib-gen-attrib \$-1 -1 \$-1 \$-1 \$3297 lose lose ignore keep @15 VF_ID_NUM_LOCAL 47 #
 vertex \$4377 -1 -1 \$-1 \$3369 \$4378 #
 ellipse-curve \$-1 -1 \$-1 -224.30000000000001 2.149999999999915 0 -1.3919498634201189e-016 -1 0 0 232.90000000000001 1 1
 I #
 cface_ptr-ct-attrib \$-1 -1 \$-1 \$3299 \$1571 \$-1 \$1583 #
 rgb_color-st-attrib \$-1 -1 \$4379 \$3300 \$1988 0.54901963472366333 0.90196079015731812 0.019607843831181526 #
 real_attrib-name_attrib-gen-attrib \$-1 -1 \$4380 \$3301 \$2371 lose lose lose keep @11 VF_FACEAREA 1803.8074350643371 #
 integer_attrib-name_attrib-gen-attrib \$-1 -1 \$-1 \$-1 \$3303 lose lose ignore keep @15 VF_ID_NUM_LOCAL 18 #
 straight-curve \$-1 -1 -1 \$-1 17.824999999999999 19.150000000000006 0 -1 0 0 I I #
 integer_attrib-name_attrib-gen-attrib \$-1 -1 \$-1 \$-1 \$3305 lose lose ignore keep @15 VF_ID_NUM_LOCAL 30 #
 point \$-1 -1 -1 \$-1 12.599999999999994 19.150000000000006 1.4260540990261583e-014 #
 integer_attrib-name_attrib-gen-attrib \$-1 -1 \$-1 \$-1 \$3309 lose lose ignore keep @15 VF_ID_NUM_LOCAL 14 #
 point \$-1 -1 -1 \$-1 30 19.150000000000006 0 #
 rgb_color-st-attrib \$-1 -1 \$-1 \$3312 \$1576 0.54901963472366333 0.90196079015731812 0.019607843831181526 #
 integer_attrib-name_attrib-gen-attrib \$-1 -1 \$-1 \$3313 lose lose ignore keep @15 VF_ID_NUM_LOCAL 48 #
 ellipse-curve \$-1 -1 \$-1 -202.90000000000001 0 0 0 1 0 232.90000000000001 0 0 1 I I #
 integer_attrib-name_attrib-gen-attrib \$-1 -1 \$-1 \$-1 \$3314 lose lose ignore keep @15 VF_ID_NUM_LOCAL 45 #
 ellipse-curve \$-1 -1 \$-1 -188.90000000000001 0 0 0 -1 0 232.90000000000001 0 0 1 I I #
 string_attrib-name_attrib-gen-attrib \$-1 -1 \$-1 \$-1 \$3319 custom custom ignore copy @9 _VF_DATA_ @89
 12:ENTITYTYPE=29:VERSION=36:Size=319:MaterialLabel=ferro11:Potential=516:VolumeLabel=pack #
 cface \$4381 -1 \$1179 \$354 \$2044 0 #
 edge \$4382 -1 -1 \$-1 \$3891 -0.05000000000000266 \$3322 5.75 \$3320 \$4383 forward @7 unknown T -8.599999999999996
 2.129999999999999 0 -2.799999999999994 2.129999999999999 0 #
 integer_attrib-name_attrib-gen-attrib \$-1 -1 \$-1 \$-1 \$3322 lose lose ignore keep @15 VF_ID_NUM_LOCAL 38 #
 point \$-1 -1 -1 \$-1 -8.599999999999996 2.129999999999999 0 #
 real_attrib-name_attrib-gen-attrib \$-1 -1 \$4384 \$3324 \$2803 lose lose lose keep @11 VF_FACEAREA 1.0573622936650575 #
 edge \$4385 -1 -1 \$-1 \$3894 -0.01499999999998792 \$3385 0.01500000000000568 \$3375 \$4386 forward @7 unknown T -
 3.5995596259547256 2.119999999999992 55.050165181524918 -3.5995596259547256 2.149999999999986 55.050165181524918 #
 integer_attrib-name_attrib-gen-attrib \$-1 -1 \$-1 \$-1 \$3328 lose lose ignore keep @15 VF_ID_NUM_LOCAL 26 #
 vertex \$4387 -1 -1 \$-1 \$3883 \$4388 #
 straight-curve \$-1 -1 -1 \$-1 -42.390871465605372 2.149999999999986 45.737195171971777 -0.97236992039767578 0 -
 0.23344536385590517 I I #
 edge \$4389 -1 -1 \$-1 \$3365 0 \$3333 0.2328128887920855 \$3362 \$4390 forward @7 unknown T -9.0833465800063493
 2.149999999999986 0 -2.799999999999998 2.149999999999999 53.733624414536479 #
 integer_attrib-name_attrib-gen-attrib \$-1 -1 \$-1 \$-1 \$3333 lose lose ignore keep @15 VF_ID_NUM_LOCAL 27 #
 point \$-1 -1 -1 \$-1 -9.0833465800063209 2.149999999999986 53.733624414536479 #
 integer_attrib-name_attrib-gen-attrib \$-1 -1 \$-1 \$-1 \$3336 lose lose ignore keep @15 VF_ID_NUM_LOCAL 60 #
 vertex \$4391 -1 -1 \$-1 \$3879 \$4392 #
 ellipse-curve \$-1 -1 -1 \$-1 -235.70000000000002 2.129999999999999 0 0 -1 0 232.90000000000001 0 0 1 I I #
 integer_attrib-name_attrib-gen-attrib \$-1 -1 \$-1 \$-1 \$3347 lose lose ignore keep @15 VF_ID_NUM_LOCAL 32 #
 vertex \$4393 -1 -1 \$-1 \$3376 \$4394 #
 straight-curve \$-1 -1 -1 \$-1 -42.438146628710072 2.119999999999974 45.725845409478282 -0.97236992039767578 0 -
 0.23344536385590517 I I #
 integer_attrib-name_attrib-gen-attrib \$-1 -1 \$-1 \$-1 \$3349 lose lose ignore keep @15 VF_ID_NUM_LOCAL 35 #
 point \$-1 -1 -1 \$-1 1.687868417735416 2.119999999999992 56.319564344979455 #
 integer_attrib-name_attrib-gen-attrib \$-1 -1 \$-1 \$-1 \$3353 lose lose ignore keep @15 VF_ID_NUM_LOCAL 15 #
 straight-curve \$-1 -1 -1 \$-1 30 19.150000000000006 0 0 1 0 I I #
 integer_attrib-name_attrib-gen-attrib \$-1 -1 \$-1 \$-1 \$3355 lose lose ignore keep @15 VF_ID_NUM_LOCAL 3 #
 point \$-1 -1 -1 \$-1 30 0 0 #
 integer_attrib-name_attrib-gen-attrib \$-1 -1 \$-1 \$-1 \$3360 lose lose ignore keep @15 VF_ID_NUM_LOCAL 56 #
 straight-curve \$-1 -1 -1 \$-1 -2.8000000000000114 1.075000000000002 0 0 -1 0 I I #
 integer_attrib-name_attrib-gen-attrib \$-1 -1 \$-1 \$-1 \$3365 lose lose ignore keep @15 VF_ID_NUM_LOCAL 41 #
 point \$-1 -1 -1 \$-1 -2.799999999999998 2.149999999999999 0 #
 integer_attrib-name_attrib-gen-attrib \$-1 -1 \$-1 \$-1 \$3369 lose lose ignore keep @15 VF_ID_NUM_LOCAL 30 #
 straight-curve \$-1 -1 -1 \$-1 8.599999999999943 1.0750000000000561 0 0 1 0 I I #
 integer_attrib-name_attrib-gen-attrib \$-1 -1 \$-1 \$-1 \$3373 lose lose ignore keep @15 VF_ID_NUM_LOCAL 32 #
 point \$-1 -1 -1 \$-1 8.599999999999996 2.1200000000000001 0 #
 integer_attrib-name_attrib-gen-attrib \$-1 -1 \$-1 \$-1 \$3376 lose lose ignore keep @15 VF_ID_NUM_LOCAL 59 #
 ellipse-curve \$-1 -1 -1 \$-1 -229.90000000000001 2.1200000000000001 0 0 1 0 232.90000000000001 0 0 1 I I #
 integer_attrib-name_attrib-gen-attrib \$-1 -1 \$-1 \$-1 \$3377 lose lose ignore keep @15 VF_ID_NUM_LOCAL 58 #
 ellipse-curve \$-1 -1 -1 \$-1 -229.90000000000001 2.149999999999995 0 0 -1 0 232.90000000000001 0 0 1 I I #
 cface_ptr-ct-attrib \$-1 -1 \$4395 \$3382 \$2044 \$-1 \$3878 #
 rgb_color-st-attrib \$-1 -1 \$4396 \$3383 \$2436 0.54901963472366333 0.90196079015731812 0.019607843831181526 #
 string_attrib-name_attrib-gen-attrib \$-1 -1 \$-1 \$-1 \$3386 custom custom ignore copy @9 _VF_DATA_ @68
 12:ENTITYTYPE=29:VERSION=36:Size=617:MaterialLabel=Air11:Potential=5 #
 cface \$4397 -1 \$2490 \$366 \$1699 0 #

```

rgb_color-st-attrib $-1 -1 $-1 $3387 $1693 0.60000002384185791 0.60000002384185791 0.60000002384185791 #
integer_attrib-name_attrib-gen-attrib $-1 -1 $-1 $3388 lose lose ignore keep @15 VF_ID_NUM_LOCAL 19 #
straight-curve $-1 -1 $-1 -72.450000000000031 145.5999999999999 0 -0.70710678118654757 0.70710678118654757 0 I I #
integer_attrib-name_attrib-gen-attrib $-1 -1 $-1 $3390 lose lose ignore keep @15 VF_ID_NUM_LOCAL 16 #
point $-1 -1 $-1 44 29.15000000000002 0 #
cface_ptr-ct-attrib $-1 -1 $-1 $3396 $1699 $-1 $3917 #
rgb_color-st-attrib $-1 -1 $4398 $3397 $2094 0.60000002384185791 0.60000002384185791 0.60000002384185791 #
cface $4399 -1 $-1 $366 $1295 0 #
cface_ptr-ct-attrib $-1 -1 $-1 $3399 $1707 $-1 $3946 #
integer_attrib-name_attrib-gen-attrib $-1 -1 $4400 $3400 $2104 lose lose ignore keep @15 VF_ID_NUM_LOCAL 5 #
string_attrib-name_attrib-gen-attrib $-1 -1 $4401 $3401 $2475 custom custom ignore copy @9 _VF_DATA_ @89
12:ENTITYTYPE=49:VERSION=225:Information=External face18:BoundaryLabel=tang11:FaceSense=1 #
integer_attrib-name_attrib-gen-attrib $-1 -1 $-1 $3403 lose lose ignore keep @15 VF_ID_NUM_LOCAL 12 #
vertex $4402 -1 -1 $-1 $3940 $4403 #
straight-curve $-1 -1 $-1 80 80 80 0 0 -1 I I #
integer_attrib-name_attrib-gen-attrib $-1 -1 $-1 $3404 lose lose ignore keep @15 VF_ID_NUM_LOCAL 3 #
straight-curve $-1 -1 $-1 -80 40 160 0 -1 0 I I #
integer_attrib-name_attrib-gen-attrib $-1 -1 $-1 $3406 lose lose ignore keep @15 VF_ID_NUM_LOCAL 3 #
point $-1 -1 $-1 -80 80 160 #
integer_attrib-name_attrib-gen-attrib $-1 -1 $-1 $3407 lose lose ignore keep @15 VF_ID_NUM_LOCAL 7 #
point $-1 -1 $-1 -80 80 0 #
integer_attrib-name_attrib-gen-attrib $-1 -1 $-1 $3412 lose lose ignore keep @15 VF_ID_NUM_LOCAL 4 #
point $-1 -1 $-1 -80 0 160 #
edge $4404 -1 -1 $-1 $3930 -40 $3432 40 $3414 $4405 forward @7 unknown T 80 0 0 80 80 0 #
integer_attrib-name_attrib-gen-attrib $-1 -1 $-1 $3415 lose lose ignore keep @15 VF_ID_NUM_LOCAL 10 #
straight-curve $-1 -1 $-1 80 0 80 0 0 -1 I I #
integer_attrib-name_attrib-gen-attrib $-1 -1 $-1 $3421 lose lose ignore keep @15 VF_ID_NUM_LOCAL 28 #
straight-curve $-1 -1 $-1 0 80 0 1 0 0 I I #
string_attrib-name_attrib-gen-attrib $-1 -1 $-1 $3428 custom custom ignore copy @9 _VF_DATA_ @68
12:ENTITYTYPE=29:VERSION=36:Size=617:MaterialLabel=Air11:Potential=5 #
cface $4406 -1 $4407 $366 $1707 0 #
integer_attrib-name_attrib-gen-attrib $-1 -1 $-1 $3432 lose lose ignore keep @15 VF_ID_NUM_LOCAL 6 #
point $-1 -1 $-1 80 0 0 #
integer_attrib-name_attrib-gen-attrib $-1 -1 $-1 $3434 lose lose ignore keep @15 VF_ID_NUM_LOCAL 21 #
straight-curve $-1 -1 $-1 44 14.57500000000001 0 0 1 0 I I #
cface_ptr-ct-attrib $-1 -1 $-1 $3437 $1724 $-1 $3428 #
string_attrib-name_attrib-gen-attrib $-1 -1 $4408 $3440 $40 keep keep_kept ignore copy @14 VF_COLOUR_DATA @58
8:NAME=1769:VERSION=216:List=ElementType15:Label=Quadratic #
string_attrib-name_attrib-gen-attrib $-1 -1 $-1 $3442 $2944 custom custom ignore copy @9 _VF_DATA_ @68
12:ENTITYTYPE=29:VERSION=36:Size=317:MaterialLabel=Air11:Potential=2 #
integer_attrib-name_attrib-gen-attrib $-1 -1 $4409 $-1 $3443 lose lose ignore keep @15 VF_ID_NUM_LOCAL 2 #
cell3d-cell $4410 -1 $4411 $127 $-1 1 $4412 #
cshell $-1 -1 $-1 $4413 $3443 #
string_attrib-name_attrib-gen-attrib $-1 -1 $-1 $3445 custom custom ignore copy @9 _VF_DATA_ @86
12:ENTITYTYPE=29:VERSION=38:Size=0.517:MaterialLabel=Air11:Potential=213:ElementType=7 #
cface $4414 -1 $4415 $2945 $2738 0 #
string_attrib-name_attrib-gen-attrib $-1 -1 $-1 $3447 custom custom ignore copy @9 _VF_DATA_ @86
12:ENTITYTYPE=29:VERSION=38:Size=0.517:MaterialLabel=Air11:Potential=213:ElementType=7 #
cface $4416 -1 $4417 $2522 $1842 1 #
face $4418 -1 -1 $-1 $3448 $3590 $221 $-1 $762 reversed double in T -14.574787690284527 1.599999999999999
52.415246047219355 1.687868417735416 1.8000000000000007 56.319564344979469 F #
ftcd_mark-eye-attrib $-1 -1 $4419 $-1 $3448 #
face $4420 -1 -1 $-1 $3820 $4124 $221 $-1 $464 reversed single T -8.599999999999996 1.599999999999996
8.599999999999996 1.799999999999998 0 F #
loop $4421 -1 -1 $-1 $-1 $4275 $3448 T -14.574787690284523 1.599999999999999 0 -8.599999999999943 1.799999999999998
52.415246047219377 unknown #
string_attrib-name_attrib-gen-attrib $-1 -1 $-1 $3450 custom custom ignore copy @9 _VF_DATA_ @86
12:ENTITYTYPE=29:VERSION=38:Size=0.517:MaterialLabel=Air11:Potential=213:ElementType=7 #
cface $4422 -1 $4423 $2162 $3968 1 #
ftcd_mark-eye-attrib $-1 -1 $4424 $-1 $3451 #
face $4425 -1 -1 $-1 $4426 $4427 $221 $-1 $762 reversed double in T -14.574787690284527 1.399999999999998
52.415246047219355 1.687868417735416 1.6000000000000014 56.319564344979469 F #
loop $4428 -1 -1 $-1 $-1 $4429 $3451 T -8.599999999999996 1.399999999999999 0 8.599999999999996 1.599999999999999
unknown #
string_attrib-name_attrib-gen-attrib $-1 -1 $-1 $3453 custom custom ignore copy @9 _VF_DATA_ @86
12:ENTITYTYPE=29:VERSION=38:Size=0.517:MaterialLabel=Air11:Potential=213:ElementType=7 #
cface $4430 -1 $4431 $1794 $1803 0 #
integer_attrib-name_attrib-gen-attrib $-1 -1 $4432 $-1 $3454 copy keep_all ignore copy @7 VF_PAIR 5 #
loop $4433 -1 -1 $-1 $-1 $3997 $3454 T -14.574787690284527 1.199999999999993 0 8.599999999999996 1.200000000000002
56.319564344979476 unknown #
plane-surface $-1 -1 $-1 0 1.2 -5 0 1 0 0 0 1 forward_v III I #
integer_attrib-name_attrib-gen-attrib $-1 -1 $4434 $3455 $2526 lose lose ignore keep @15 VF_ID_NUM_LOCAL 72 #

```



```

coedge $-1 -1 -1 $-1 $3787 $3457 $3135 $3689 forward $2952 $-1 #
string_attrib-name_attrib-gen-attr $-1 -1 $-1 $-1 $3459 custom custom ignore copy @9_VF_DATA_@86
12:ENTITYTYPE=29:VERSION=38:Size=0.517:MaterialLabel=Air11:Potential=213:ElementType=7 #
cface $4435 -1 -1 $-1 $1393 $2959 0 #
fctd_mark-eye-attr $-1 -1 $4436 $-1 $3460 #
loop $4437 -1 -1 $-1 $-1 $4438 $3460 T -8.599999999999999 1.2 0 8.599999999999999 1.399999999999999 0 unknown #
integer_attrib-name_attrib-gen-attr $-1 -1 $4439 $3461 $2529 lose lose ignore keep @15_VF_ID_NUM_LOCAL 73 #
coedge $-1 -1 -1 $-1 $4440 $3463 $3175 $3735 reversed $2956 $-1 #
coedge $-1 -1 -1 $-1 $3463 $4440 $3220 $3786 reversed $2956 $-1 #
coedge $-1 -1 -1 $-1 $3497 $3496 $3997 $3985 forward $3488 $-1 #
edge $4441 -1 -1 $-1 $3739 28.655101678824138 $3789 45.37986430966415 $3984 $4442 forward @7 unknown T -
14.574787690284527 1.199999999999999 52.415246047219362 1.687868417735416 1.2 56.319564344979469 #
string_attrib-name_attrib-gen-attr $-1 -1 $4443 $3464 $2166 custom custom ignore copy @9_VF_DATA_@68
12:ENTITYTYPE=49:VERSION=225:Information=Internal face11:FaceSense=0 #
fctd_mark-eye-attr $-1 -1 $4444 $3465 $2531 #
fmesh-eye-attr $-1 -1 $4445 $3466 $2959 #
integer_attrib-name_attrib-gen-attr $-1 -1 $-1 $-1 $3467 lose lose ignore keep @15_VF_ID_NUM_LOCAL 24 #
coedge $-1 -1 -1 $-1 $4446 $3785 $4447 $4311 reversed $3467 $-1 #
coedge $-1 -1 -1 $-1 $4103 $3469 $3994 $4448 forward $2960 $-1 #
coedge $-1 -1 -1 $-1 $4449 $4101 $4440 $3993 reversed $4427 $-1 #
edge $4450 -1 -1 $-1 $4267 28.655101678824138 $4107 45.37986430966415 $4440 $4451 forward @7 unknown T -
14.574787690284527 1.399999999999999 52.415246047219362 1.687868417735416 1.399999999999999 56.319564344979469 #
coedge $-1 -1 -1 $-1 $3471 $3470 $4452 $4448 forward $2532 $-1 #
edge $4453 -1 -1 $-1 $4454 -0.324999999999999751 $3999 -0.124999999999999756 $4195 $1445 forward @7 unknown T -
8.599999999999999 1.2 0 -8.599999999999999 1.399999999999999 0 #
coedge $-1 -1 -1 $-1 $4447 $3472 $4012 $4455 forward $3973 $-1 #
coedge $-1 -1 -1 $-1 $3472 $4447 $3463 $3985 reversed $3973 $-1 #
integer_attrib-name_attrib-gen-attr $-1 -1 $4456 $-1 $3473 copy keep_all ignore copy @7_VF_PAIR 21 #
vertex $4457 -1 -1 $-1 $3659 $4458 #
ellipse-curve $-1 -1 -1 $-1 -241.5 1.2 0 0 1 0 232.90000000000001 0 0 1 1 1 #
string_attrib-name_attrib-gen-attr $-1 -1 $-1 $-1 $3475 custom custom ignore copy @9_VF_DATA_@86
12:ENTITYTYPE=29:VERSION=38:Size=0.517:MaterialLabel=Air11:Potential=213:ElementType=7 #
real_attrib-name_attrib-gen-attr $-1 -1 $4459 $3476 $1798 lose lose lose keep @11_VF_FACEAREA 11.3766849339986 #
real_attrib-name_attrib-gen-attr $-1 -1 $4460 $3478 $1801 lose lose lose keep @11_VF_FACEAREA 3.3449525261679898 #
integer_attrib-name_attrib-gen-attr $-1 -1 $4461 $3480 $2973 copy keep_all ignore copy @13_VF_PAIR_GROUP 0 #
rgb_color-st-attr $-1 -1 $4462 $3482 $1397 0.60000002384185791 0.60000002384185791 0.60000002384185791 #
string_attrib-name_attrib-gen-attr $-1 -1 $4463 $3483 $1803 custom custom ignore copy @9_VF_DATA_@105
12:ENTITYTYPE=49:VERSION=225:Information=Internal face34:Information=paired face [layering]11:FaceSense=1 #
string_attrib-name_attrib-gen-attr $-1 -1 $4464 $3484 $2177 custom custom ignore copy @9_VF_DATA_@105
12:ENTITYTYPE=49:VERSION=225:Information=External face13:ElementType=718:BoundaryLabel=tang11:FaceSense=0 #
integer_attrib-name_attrib-gen-attr $-1 -1 $4465 $3485 $2546 lose lose ignore keep @15_VF_ID_NUM_LOCAL 67 #
fmesh-eye-attr $-1 -1 $4466 $3486 $2978 #
fctd_mark-eye-attr $-1 -1 $4467 $-1 $3487 #
integer_attrib-name_attrib-gen-attr $-1 -1 $-1 $-1 $3488 lose lose ignore keep @15_VF_ID_NUM_LOCAL 32 #
coedge $-1 -1 -1 $-1 $3491 $3490 $4438 $4455 forward $2547 $-1 #
coedge $-1 -1 -1 $-1 $3500 $3736 $3116 $3659 forward $3737 $-1 #
integer_attrib-name_attrib-gen-attr $-1 -1 $4468 $-1 $3493 copy keep_all ignore copy @7_VF_PAIR 27 #
straight-curve $-1 -1 -1 $-1 0 1 0 1 0 0 1 1 1 #
integer_attrib-name_attrib-gen-attr $-1 -1 $4469 $-1 $3494 copy keep_all ignore copy @7_VF_PAIR 25 #
ellipse-curve $-1 -1 -1 $-1 -241.5 1 0 0 1 0 232.90000000000001 0 0 1 1 1 #
integer_attrib-name_attrib-gen-attr $-1 -1 $4470 $-1 $3495 copy keep_all ignore copy @7_VF_PAIR 24 #
ellipse-curve $-1 -1 -1 $-1 -224.30000000000001 1 0 0 -1 0 232.90000000000001 0 0 1 1 1 #
integer_attrib-name_attrib-gen-attr $-1 -1 $4471 $3498 $2985 copy keep_all ignore copy @13_VF_PAIR_GROUP 0 #
integer_attrib-name_attrib-gen-attr $-1 -1 $-1 $3501 $2987 lose lose ignore keep @15_VF_ID_NUM_LOCAL 128 #
integer_attrib-name_attrib-gen-attr $-1 -1 $4472 $-1 $3502 copy keep_all ignore copy @7_VF_PAIR 27 #
point $-1 -1 -1 $-1 -8.599999999999999 1 0 #
integer_attrib-name_attrib-gen-attr $-1 -1 $4473 $-1 $3503 copy keep_all ignore copy @7_VF_PAIR 31 #
straight-curve $-1 -1 -1 $-1 0 0.7999999999999999 0 1 0 0 1 1 1 #
p1list-eye-attr $-1 -1 $4474 $3504 $2553 #
integer_attrib-name_attrib-gen-attr $-1 -1 $4475 $3505 $2990 copy keep_all ignore copy @13_VF_PAIR_GROUP 2 #
cface_ptr-ct-attr $-1 -1 $-1 $3507 $1034 $4035 $749 #
cface_ptr-ct-attr $-1 -1 $4476 $3508 $1401 $1404 $3608 #
real_attrib-name_attrib-gen-attr $-1 -1 $4477 $3509 $1809 lose lose lose keep @11_VF_FACEAREA 10.573622936633274 #
integer_attrib-name_attrib-gen-attr $-1 -1 $4478 $3510 $1405 lose lose ignore keep @15_VF_ID_NUM_LOCAL 55 #
real_attrib-name_attrib-gen-attr $-1 -1 $4479 $3511 $1815 lose lose lose keep @11_VF_FACEAREA 3.43999999999999968 #
rgb_color-st-attr $-1 -1 $-1 $3512 $1037 0.60000002384185791 0.60000002384185791 0.60000002384185791 #
string_attrib-name_attrib-gen-attr $-1 -1 $-1 $-1 $3514 custom custom ignore copy @9_VF_DATA_@68
12:ENTITYTYPE=29:VERSION=36:Size=117:MaterialLabel=Air11:Potential=2 #
cface $4480 -1 $2611 $3068 $1034 1 #
rgb_color-st-attr $-1 -1 $-1 $3515 $1039 0.60000002384185791 0.60000002384185791 0.60000002384185791 #
cface $4481 -1 $4482 $3444 $1039 0 #
rgb_color-st-attr $-1 -1 $4483 $3516 $1410 0.60000002384185791 0.60000002384185791 0.60000002384185791 #

```

```

string_attrib-name_attrib-gen-attrb $-1 -1 $4484 $3517 $1823 custom custom ignore copy @9 _VF_DATA_ @105
12:ENTITYTYPE=49:VERSION=225:Information=Internal face34:Information=paired face [layering]11:FaceSense=1 #
string_attrib-name_attrib-gen-attrb $-1 -1 $4485 $3518 $2201 custom custom ignore copy @9 _VF_DATA_ @105
12:ENTITYTYPE=49:VERSION=225:Information=External face13:ElementType=718:BoundaryLabel=tang11:FaceSense=0 #
ptlist-eye-attrb $-1 -1 $4486 $3519 $2577 #
string_attrib-name_attrib-gen-attrb $-1 -1 $4487 $3520 $2209 custom custom ignore copy @9 _VF_DATA_ @63
12:ENTITYTYPE=89:VERSION=234:Information=paired edge [layering] #
ptlist-eye-attrb $-1 -1 $4488 $3521 $2581 #
integer_attrib-name_attrib-gen-attrb $-1 -1 $-1 $3522 $1830 lose lose ignore keep @15 VF_ID_NUM_LOCAL 111 #
real_attrib-name_attrib-gen-attrb $-1 -1 $4489 $3523 $1043 lose lose lose keep @11 VF_FACEAREA 935.14253265242542 #
rgb_color-st-attrb $-1 -1 $4490 $3524 $1417 0.60000002384185791 0.60000002384185791 0.60000002384185791 #
real_attrib-name_attrib-gen-attrb $-1 -1 $4491 $3525 $1835 lose lose lose keep @11 VF_FACEAREA 875.13292835790708 #
string_attrib-name_attrib-gen-attrb $-1 -1 $4492 $3526 $2218 custom custom ignore copy @9 _VF_DATA_ @68
12:ENTITYTYPE=49:VERSION=225:Information=Internal face11:FaceSense=1 #
integer_attrib-name_attrib-gen-attrb $-1 -1 $4493 $3527 $2587 lose lose ignore keep @15 VF_ID_NUM_LOCAL 30 #
fmesh-eye-attrb $-1 -1 $4494 $3528 $3019 #
fctd_mark-eye-attrb $-1 -1 $4495 $-1 $3529 #
face $4496 -1 -1 $-1 $4497 $4498 $221 $-1 $4499 reversed single T -80 80 0 80 80 160 F #
loop $4500 -1 -1 $-1 $-1 $4501 $3529 T -80 0 0 -80 80 160 unknown #
plane-surface $-1 -1 $-1 -80 40 80 1 0 0 0 -1 forward_v IIII #
integer_attrib-name_attrib-gen-attrb $-1 -1 $-1 $3530 lose lose ignore keep @15 VF_ID_NUM_LOCAL 69 #
coedge $-1 -1 $-1 $4502 $4503 $4504 $4505 forward $3530 $-1 #
coedge $-1 -1 $-1 $4506 $3533 $4507 $4508 forward $3020 $-1 #
coedge $-1 -1 $-1 $3533 $4509 $4236 $4510 forward $3020 $-1 #
edge $4511 -1 -1 $-1 $4512 -14.57500000000001 $4240 14.57500000000001 $3533 $4513 forward @7 unknown T -44 0 0 -
43.99999999999997 29.15000000000002 0 #
coedge $-1 -1 $-1 $4514 $3534 $4252 $4258 reversed $2588 $-1 #
coedge $-1 -1 $-1 $3536 $3720 $4303 $4062 reversed $3721 $-1 #
edge $4515 -1 -1 $-1 $4067 0.6374999999999929 $3732 19.7875000000000001 $4303 $4516 forward @7 unknown T -
35.543854992528225 0 47.534981229876706 -35.543854992528225 19.150000000000002 47.534981229876706 #
coedge $-1 -1 $-1 $3535 $4517 $4518 $4519 forward $2588 $-1 #
coedge $-1 -1 $-1 $3541 $3538 $3535 $4065 reversed $2219 $-1 #
edge $4520 -1 -1 $-1 $4521 -24.574999999999996 $3167 -9.5750000000000028 $3535 $4522 forward @7 unknown T -
34.90255361194221 19.150000000000006 47.534981229876706 -34.90255361194221 34.149999999999999 47.534981229876706 #
ptlist-eye-attrb $-1 -1 $4523 $-1 $3537 #
vertex $4524 -1 -1 $-1 $3537 $4525 #
straight-curve $-1 -1 $-1 -35.1387274543508 19.150000000000002 47.534981229876706 -1 0 0 11 #
coedge $-1 -1 $-1 $3719 $3755 $2677 $3162 forward $4232 $-1 #
ptlist-eye-attrb $-1 -1 $4526 $-1 $3540 #
coedge $-1 -1 $-1 $4518 $4527 $3541 $4072 reversed $4528 $-1 #
edge $4529 -1 -1 $-1 $4521 19.320728947052711 $4077 77.662924170913215 $4071 $4530 forward @7 unknown T -
34.902553611942224 34.149999999999999 47.534981229876699 21.827642113708748 34.149999999999999 61.154696222063087 #
coedge $-1 -1 $-1 $4531 $3542 $4527 $4532 forward $4075 $-1 #
coedge $-1 -1 $-1 $3542 $4533 $3798 $3805 forward $4075 $-1 #
loop $4534 -1 -1 $-1 $-1 $4074 $4535 T 21.827642113708748 0 61.15469622206308 35.827642113708805 34.149999999999999
61.154696222063265 unknown #
ptlist-eye-attrb $-1 -1 $4536 $-1 $3543 #
vertex $4537 -1 -1 $-1 $4532 $4538 #
straight-curve $-1 -1 $-1 21.827642113708805 9.5750000000000028 61.154696222063087 0 1 0 11 #
integer_attrib-name_attrib-gen-attrb $-1 -1 $-1 $3546 lose lose ignore keep @15 VF_ID_NUM_LOCAL 92 #
face $4539 -1 -1 $-1 $3625 $3546 $221 $-1 $4540 forward double in T 5.4602337663884271 19.150000000000002 0 30
19.150000000000006 61.154696222063265 F #
integer_attrib-name_attrib-gen-attrb $-1 -1 $-1 $3547 $3027 lose lose ignore keep @15 VF_ID_NUM_LOCAL 25 #
coedge $-1 -1 $-1 $3550 $3549 $4287 $4361 reversed $1836 $-1 #
edge $4541 -1 -1 $-1 $4542 -0.009999999999993427 $3772 0.01000000000000231 $3767 $4543 forward @7 unknown T -
9.083346580063209 2.1300000000000003 53.733624414536479 -9.083346580063209 2.149999999999999 53.733624414536493 #
edge $4544 -1 -1 $-1 $3833 -0.014999999999998348 $4545 0.01500000000001901 $3829 $4546 forward @7 unknown T -
3.599596259547256 2.1199999999999997 55.050165181524918 -3.599596259547256 2.149999999999999 55.050165181524932 #
integer_attrib-name_attrib-gen-attrb $-1 -1 $-1 $3553 lose lose ignore keep @15 VF_ID_NUM_LOCAL 10 #
face $4547 -1 -1 $-1 $3961 $3553 $221 $-1 $4548 reversed double in T -14.574787690284527 1.999999999999998 0
8.599999999999996 2 56.319564344979476 F #
fctd_mark-eye-attrb $-1 -1 $4549 $-1 $3555 #
ptlist-eye-attrb $-1 -1 $4550 $3556 $2595 #
integer_attrib-name_attrib-gen-attrb $-1 -1 $4551 $3557 $3035 copy keep_all ignore copy @13 VF_PAIR_GROUP 1 #
integer_attrib-name_attrib-gen-attrb $-1 -1 $4552 $3559 $3036 copy keep_all ignore copy @13 VF_PAIR_GROUP 0 #
cface $4553 -1 $4554 $3444 $755 0 #
cface_ptr-ct-attrb $-1 -1 $-1 $3562 $1045 $-1 $1042 #
cface_ptr-ct-attrb $-1 -1 $4555 $3563 $1422 $4556 $4557 #
string_attrib-name_attrib-gen-attrb $-1 -1 $4558 $3564 $1842 custom custom ignore copy @9 _VF_DATA_ @105
12:ENTITYTYPE=49:VERSION=225:Information=Internal face34:Information=paired face [layering]11:FaceSense=1 #
string_attrib-name_attrib-gen-attrb $-1 -1 $4559 $3565 $2227 custom custom ignore copy @9 _VF_DATA_ @68
12:ENTITYTYPE=49:VERSION=225:Information=Internal face11:FaceSense=0 #

```

```

integer_attrib-name_attrib-gen-attrib $-1 -1 $4560 $3566 $2601 lose lose ignore keep @15 VF_ID_NUM_LOCAL 87 #
fmesh-eye-attrib $-1 -1 $4561 $3567 $3044 #
integer_attrib-name_attrib-gen-attrib $-1 -1 $-1 $-1 $3568 lose lose ignore keep @15 VF_ID_NUM_LOCAL 12 #
edge $4562 -1 -1 $-1 $3668 -8.5999999999999996 $3588 8.5999999999999996 $4109 $4563 forward @7 unknown T -
8.5999999999999996 1.7999999999999998 0 8.5999999999999996 1.7999999999999998 0 #
edge $4564 -1 -1 $-1 $4106 0.32499999999994378 $3062 0.52499999999994373 $4122 $1450 forward @7 unknown T
8.5999999999999994 1.3999999999999999 0 8.5999999999999996 1.5999999999999999 0 #
coedge $-1 -1 -1 $-1 $3992 $4128 $3784 $4102 reversed $4427 $-1 #
edge $4565 -1 -1 $-1 $4107 0.34000000000000119 $3063 0.54000000000000115 $3784 $1479 forward @7 unknown T
1.687868417735416 1.3999999999999999 56.319564344979455 1.687868417735416 1.5999999999999999 56.319564344979469 #
coedge $-1 -1 -1 $-1 $3573 $3991 $4566 $4567 forward $2960 $-1 #
coedge $-1 -1 -1 $-1 $3785 $4446 $3047 $3574 forward $3467 $-1 #
integer_attrib-name_attrib-gen-attrib $-1 -1 $4568 $-1 $3574 copy keep_all ignore copy @7 VF_PAIR 16 #
vertex $4569 -1 -1 $-1 $4100 $4570 #
vertex $4571 -1 -1 $-1 $4102 $4572 #
ellipse-curve $-1 -1 -1 $-1 -224.30000000000001 1.3999999999999999 0 0 -1 0 232.90000000000001 0 0 1 I I #
coedge $-1 -1 -1 $-1 $3586 $3663 $3570 $4099 forward $4124 $-1 #
coedge $-1 -1 -1 $-1 $4275 $3576 $3120 $3664 forward $3964 $-1 #
integer_attrib-name_attrib-gen-attrib $-1 -1 $4573 $-1 $3577 copy keep_all ignore copy @7 VF_PAIR 9 #
ellipse-curve $-1 -1 -1 $-1 -241.5 1.7999999999999998 0 0 1 0 232.90000000000001 0 0 1 I I #
integer_attrib-name_attrib-gen-attrib $-1 -1 $4574 $-1 $3578 copy keep_all ignore copy @7 VF_PAIR 11 #
ellipse-curve $-1 -1 -1 $-1 -224.30000000000001 1.7999999999999998 0 0 -1 0 232.90000000000001 0 0 1 I I #
coedge $-1 -1 -1 $-1 $3579 $3589 $3184 $3746 reversed $3590 $-1 #
integer_attrib-name_attrib-gen-attrib $-1 -1 $4575 $3580 $3051 copy keep_all ignore copy @13 VF_PAIR_GROUP 0 #
integer_attrib-name_attrib-gen-attrib $-1 -1 $4576 $-1 $3581 copy keep_all ignore copy @7 VF_PAIR 9 #
point $-1 -1 -1 $-1 -14.574787690284523 1.7999999999999998 52.41524604721937 #
integer_attrib-name_attrib-gen-attrib $-1 -1 $4577 $-1 $3582 copy keep_all ignore copy @7 VF_PAIR 10 #
point $-1 -1 -1 $-1 1.687868417735416 1.7999999999999998 56.319564344979469 #
coedge $-1 -1 -1 $-1 $3815 $3584 $3095 $3637 forward $3816 $-1 #
coedge $-1 -1 -1 $-1 $4429 $3594 $3571 $4100 reversed $3969 $-1 #
coedge $-1 -1 -1 $-1 $3663 $3586 $3058 $3595 reversed $4124 $-1 #
loop $4578 -1 -1 $-1 $-1 $4123 $3963 T -8.5999999999999996 1.5999999999999996 0 8.5999999999999996 1.7999999999999998 0
unknown #
integer_attrib-name_attrib-gen-attrib $-1 -1 $-1 $3587 $3054 lose lose ignore keep @15 VF_ID_NUM_LOCAL 165 #
integer_attrib-name_attrib-gen-attrib $-1 -1 $4579 $-1 $3588 copy keep_all ignore copy @7 VF_PAIR 11 #
point $-1 -1 -1 $-1 8.5999999999999996 1.7999999999999998 0 #
coedge $-1 -1 -1 $-1 $4101 $4449 $3057 $3593 forward $4427 $-1 #
integer_attrib-name_attrib-gen-attrib $-1 -1 $-1 $-1 $3590 lose lose ignore keep @15 VF_ID_NUM_LOCAL 9 #
integer_attrib-name_attrib-gen-attrib $-1 -1 $-1 $3591 $3056 lose lose ignore keep @15 VF_ID_NUM_LOCAL 167 #
coedge $-1 -1 -1 $-1 $4580 $4264 $4275 $4132 forward $4581 $-1 #
edge $4582 -1 -1 $-1 $4134 -0.2269992043072836 $4138 0 $4131 $4583 forward @7 unknown T -14.574787690284523
1.5999999999999999 0 -8.5999999999999994 1.5999999999999999 52.415246047219377 #
integer_attrib-name_attrib-gen-attrib $-1 -1 $4584 $-1 $3593 copy keep_all ignore copy @7 VF_PAIR 14 #
vertex $4585 -1 -1 $-1 $4265 $4586 #
straight-curve $-1 -1 -1 $-1 -42.438146628710079 1.6000000000000014 45.725845409478296 0.97236992039767645 0
0.23344536385590534 I I #
coedge $-1 -1 -1 $-1 $3594 $4429 $4580 $4197 reversed $3969 $-1 #
integer_attrib-name_attrib-gen-attrib $-1 -1 $4587 $-1 $3595 copy keep_all ignore copy @7 VF_PAIR 15 #
vertex $4588 -1 -1 $-1 $4197 $4589 #
straight-curve $-1 -1 -1 $-1 0 1.5999999999999996 0 1 0 0 I I #
integer_attrib-name_attrib-gen-attrib $-1 -1 $4590 $-1 $3597 copy keep_all ignore copy @7 VF_PAIR 3 #
plane-surface $-1 -1 -1 $-1 0 1.5999999999999999 -5 0 1 0 0 1 forward_v I I I I #
ptlist-eye-attrib $-1 -1 $4591 $3598 $2608 #
integer_attrib-name_attrib-gen-attrib $-1 -1 $4592 $3599 $3062 copy keep_all ignore copy @13 VF_PAIR_GROUP 3 #
integer_attrib-name_attrib-gen-attrib $-1 -1 $4593 $3601 $3063 copy keep_all ignore copy @13 VF_PAIR_GROUP 0 #
string_attrib-name_attrib-gen-attrib $-1 -1 $-1 $-1 $3604 custom custom ignore copy @9 _VF_DATA_ @68
12:ENTITYTYPE=29:VERSION=36:Size=117:MaterialLabel=Air11:Potential=2 #
cface $4594 -1 $4595 $3068 $4080 1 #
string_attrib-name_attrib-gen-attrib $-1 -1 $-1 $-1 $3605 custom custom ignore copy @9 _VF_DATA_ @68
12:ENTITYTYPE=29:VERSION=36:Size=117:MaterialLabel=Air11:Potential=2 #
cface $4596 -1 $4597 $3068 $3820 1 #
integer_attrib-name_attrib-gen-attrib $-1 -1 $4598 $-1 $3606 lose lose ignore keep @15 VF_ID_NUM_LOCAL 5 #
cell3d-cell $4599 -1 $-1 $127 $-1 1 $4600 #
string_attrib-name_attrib-gen-attrib $-1 -1 $-1 $-1 $3608 custom custom ignore copy @9 _VF_DATA_ @68
12:ENTITYTYPE=29:VERSION=36:Size=317:MaterialLabel=Air11:Potential=2 #
cface $4601 -1 $4602 $4600 $760 1 #
real_attrib-name_attrib-gen-attrib $-1 -1 $4603 $3610 $1052 lose lose lose keep @11 VF_FACEAREA 935.14253265242542 #
integer_attrib-name_attrib-gen-attrib $-1 -1 $-1 $3611 $1853 lose lose ignore keep @15 VF_ID_NUM_LOCAL 105 #
integer_attrib-name_attrib-gen-attrib $-1 -1 $-1 $3613 $3078 lose lose ignore keep @15 VF_ID_NUM_LOCAL 49 #
integer_attrib-name_attrib-gen-attrib $-1 -1 $-1 $3614 lose lose ignore keep @15 VF_ID_NUM_LOCAL 37 #
point $-1 -1 -1 $-1 21.862837159370077 0 61.154696222063087 #
integer_attrib-name_attrib-gen-attrib $-1 -1 $-1 $3617 $3081 lose lose ignore keep @15 VF_ID_NUM_LOCAL 12 #

```

```

integer_attr-name_attr-gen-attr $-1 -1 $-1 $-1 $3618 lose lose ignore keep @15 VF_ID_NUM_LOCAL 11 #
point $-1 -1 -1 $-1 12.599999999999999 19.150000000000000 1.4260540990261583e-014 #
coedge $-1 -1 -1 $-1 $3620 $4604 $4605 $4606 reversed $3084 $-1 #
coedge $-1 -1 -1 $-1 $4607 $4608 $4609 $4163 reversed $4610 $-1 #
edge $4611 -1 -1 $-1 $4166 -14.575000000000001 $4612 14.575000000000001 $4609 $4613 forward @7 unknown T 44 0 0 44
29.150000000000002 0 #
coedge $-1 -1 -1 $-1 $3809 $3621 $4607 $4614 reversed $3630 $-1 #
ptlist-eye-attr $-1 -1 $4615 $-1 $3622 #
vertex $4616 -1 -1 $-1 $4614 $4617 #
straight-curve $-1 -1 -1 $-1 25 0 0 1 0 0 I I #
coedge $-1 -1 -1 $-1 $4204 $3624 $4208 $4618 forward $3084 $-1 #
coedge $-1 -1 -1 $-1 $3638 $4208 $4619 $4170 reversed $3129 $-1 #
edge $4620 -1 -1 $-1 $4184 -0.01499999999999968 $4621 0.015000000000000124 $4169 $4622 forward @7 unknown T 3
2.120000000000001 0 3 2.149999999999999 0 #
fctd_mark-eye-attr $-1 -1 $4623 $-1 $3625 #
plane-surface $-1 -1 -1 $-1 0 2.5 0 0 1 1 0 0 forward_v I I I I #
ptlist-eye-attr $-1 -1 $4624 $-1 $3628 #
ellipse-curve $-1 -1 -1 $-1 -202.90000000000001 19.150000000000000 0 0 1 0 232.90000000000001 0 0 1 I I #
integer_attr-name_attr-gen-attr $-1 -1 $-1 $-1 $3630 lose lose ignore keep @15 VF_ID_NUM_LOCAL 86 #
face $4625 -1 -1 $-1 $3261 $3630 $221 $-1 $4626 reversed single T 21.827642113708748 0 0 44 0 61.154696222063095 F #
integer_attr-name_attr-gen-attr $-1 -1 $-1 $3631 $3089 lose lose ignore keep @15 VF_ID_NUM_LOCAL 18 #
integer_attr-name_attr-gen-attr $-1 -1 $-1 $3634 $3094 lose lose ignore keep @15 VF_ID_NUM_LOCAL 11 #
ptlist-eye-attr $-1 -1 $4627 $-1 $3637 #
integer_attr-name_attr-gen-attr $-1 -1 $-1 $3640 $3097 lose lose ignore keep @15 VF_ID_NUM_LOCAL 181 #
integer_attr-name_attr-gen-attr $-1 -1 $4628 $-1 $3641 copy keep_all ignore copy @7 VF_PAIR 5 #
point $-1 -1 -1 $-1 8.599999999999999 1.999999999999999 0 #
ptlist-eye-attr $-1 -1 $4629 $-1 $3642 #
vertex $4630 -1 -1 $-1 $4170 $4631 #
straight-curve $-1 -1 -1 $-1 0 2.120000000000001 0 -1 0 0 I I #
real_attr-name_attr-gen-attr $-1 -1 $4632 $3648 $2251 lose lose keep @11 VF_FACEAREA 375.81000000000029 #
integer_attr-name_attr-gen-attr $-1 -1 $4633 $3649 $2633 lose lose ignore keep @15 VF_ID_NUM_LOCAL 4 #
fmesh-eye-attr $-1 -1 $4634 $3650 $3106 #
fctd_mark-eye-attr $-1 -1 $4635 $-1 $3651 #
face $4636 -1 -1 $-1 $4080 $4232 $221 $-1 $4637 forward double in T -34.902553611942217 19.150000000000002 0 -
12.599999999999999 19.150000000000000 51.50494883996263 F #
cone-surface $-1 -1 -1 $-1 -245.5 19.150000000000000 0 0.22903933372554727 -0.97341716833357594 0 0 0 232.900000000000001
0.97341716833357605 I I 0 -1 232.900000000000001 forward I I I I #
ptlist-eye-attr $-1 -1 $4638 $3654 $2636 #
string_attr-name_attr-gen-attr $-1 -1 $4639 $3655 $2638 custom custom ignore copy @9 _VF_DATA_ @66
13:ENTITYTYPE=169:VERSION=236:Information=paired vertex [layering] #
integer_attr-name_attr-gen-attr $-1 -1 $-1 $3657 $1866 lose lose ignore keep @15 VF_ID_NUM_LOCAL 110 #
coedge $-1 -1 -1 $-1 $4566 $4438 $3471 $3995 reversed $3980 $-1 #
ptlist-eye-attr $-1 -1 $4640 $-1 $3659 #
edge $4641 -1 -1 $-1 $4138 -0.5249999999999747 $4454 -0.3249999999999751 $4136 $1445 forward @7 unknown T -
8.599999999999999 1.399999999999999 0 -8.599999999999943 1.599999999999999 0 #
ptlist-eye-attr $-1 -1 $4642 $-1 $3664 #
integer_attr-name_attr-gen-attr $-1 -1 $-1 $3667 $3122 lose lose ignore keep @15 VF_ID_NUM_LOCAL 171 #
integer_attr-name_attr-gen-attr $-1 -1 $4643 $-1 $3668 copy keep_all ignore copy @7 VF_PAIR 8 #
point $-1 -1 -1 $-1 -8.599999999999999 1.799999999999998 0 #
ptlist-eye-attr $-1 -1 $4644 $-1 $3670 #
straight-curve $-1 -1 -1 $-1 -24.817704918032803 71.075245901639335 0 -0.22903933372554727 0.97341716833357594 0 I I #
coedge $-1 -1 -1 $-1 $3671 $4168 $3675 $4210 forward $3084 $-1 #
integer_attr-name_attr-gen-attr $-1 -1 $-1 $3672 $3125 lose lose ignore keep @15 VF_ID_NUM_LOCAL 9 #
integer_attr-name_attr-gen-attr $-1 -1 $-1 $3673 lose lose ignore keep @15 VF_ID_NUM_LOCAL 8 #
point $-1 -1 -1 $-1 -8.599999999999943 2.149999999999062 0 #
coedge $-1 -1 -1 $-1 $4169 $3675 $4645 $4618 reversed $3129 $-1 #
coedge $-1 -1 -1 $-1 $4646 $4647 $4204 $4210 forward $4648 $-1 #
edge $4649 -1 -1 $-1 $4650 -0.01000000000000231 $4213 0.009999999999997868 $3675 $4651 forward @7 unknown T -
2.8000000000000114 2.129999999999999 0 -2.799999999999994 2.149999999999999 0 #
coedge $-1 -1 -1 $-1 $3676 $3763 $4646 $4652 reversed $3764 $-1 #
ptlist-eye-attr $-1 -1 $4653 $-1 $3677 #
vertex $4654 -1 -1 $-1 $4210 $4655 #
straight-curve $-1 -1 -1 $-1 -2.849999999999999 2.129999999999999 0 -1 0 0 I I #
integer_attr-name_attr-gen-attr $-1 -1 $4656 $-1 $3679 copy keep_all ignore copy @7 VF_PAIR 7 #
straight-curve $-1 -1 -1 $-1 0 2 0 1 0 0 I I #
fctd_mark-eye-attr $-1 -1 $4657 $-1 $3681 #
integer_attr-name_attr-gen-attr $-1 -1 $4658 $3685 $3132 copy keep_all ignore copy @13 VF_PAIR_GROUP 2 #
real_attr-name_attr-gen-attr $-1 -1 $4659 $3687 $2264 lose lose keep @11 VF_FACEAREA 375.80999999999943 #
coedge $-1 -1 -1 $-1 $4438 $4566 $4446 $4221 reversed $3980 $-1 #
edge $4660 -1 -1 $-1 $4223 0.1249999999994382 $4106 0.3249999999994378 $4220 $1450 forward @7 unknown T
8.599999999999943 1.2 0 8.599999999999996 1.399999999999999 0 #
ptlist-eye-attr $-1 -1 $4661 $-1 $3689 #

```

```

vertex $4662 -1 -1 $-1 $4221 $4663 #
integer_attr-name_attr-gen-attr $-1 -1 $-1 $3691 $3137 lose lose ignore keep @15 VF_ID_NUM_LOCAL 130 #
integer_attr-name_attr-gen-attr $-1 -1 $-1 $4664 $-1 $3692 copy keep_all ignore copy @7 VF_PAIR 26 #
point $-1 -1 -1 $-1 8.5999999999999996 1 0 #
integer_attr-name_attr-gen-attr $-1 -1 $4665 $3694 $3139 copy keep_all ignore copy @13 VF_PAIR_GROUP 3 #
integer_attr-name_attr-gen-attr $-1 -1 $-1 $3696 $2269 lose lose ignore keep @15 VF_ID_NUM_LOCAL 70 #
string_attr-name_attr-gen-attr $-1 -1 $4666 $3697 $2270 custom custom ignore copy @9 _VF_DATA_ @63
12:ENTITYTYPE=89:VERSION=234:Information=paired edge [layering] #
fmesh-eye-attr $-1 -1 $4667 $3699 $3145 #
integer_attr-name_attr-gen-attr $-1 -1 $-1 $3700 $1884 lose lose ignore keep @15 VF_ID_NUM_LOCAL 161 #
loop $4668 -1 -1 $-1 $-1 $4069 $4190 T -34.902553611942217 19.150000000000002 0 -12.599999999999994 19.150000000000006
51.50494883996263 unknown #
integer_attr-name_attr-gen-attr $-1 -1 $-1 $3702 $3148 lose lose ignore keep @15 VF_ID_NUM_LOCAL 7 #
integer_attr-name_attr-gen-attr $-1 -1 $-1 $3703 lose lose ignore keep @15 VF_ID_NUM_LOCAL 7 #
point $-1 -1 -1 $-1 -12.599999999999994 19.150000000000006 1.4260540990261583e-014 #
coedge $-1 -1 -1 $-1 $4604 $3705 $4669 $4510 reversed $3084 $-1 #
coedge $-1 -1 -1 $-1 $4670 $4671 $3533 $4059 reversed $4672 $-1 #
coedge $-1 -1 -1 $-1 $3706 $3729 $4671 $4673 reversed $3730 $-1 #
plist-eye-attr $-1 -1 $4674 $-1 $3707 #
vertex $4675 -1 -1 $-1 $4508 $4676 #
straight-curve $-1 -1 -1 $-1 -25 0 0 1 0 0 II #
plist-eye-attr $-1 -1 $4677 $-1 $3710 #
ellipse-curve $-1 -1 -1 $-1 -262.89999999999998 19.150000000000006 0 0 1 0 232.90000000000001 0 0 1 II #
integer_attr-name_attr-gen-attr $-1 -1 $-1 $3713 $3155 lose lose ignore keep @15 VF_ID_NUM_LOCAL 2 #
cface_ptr-ct-attr $-1 -1 $4678 $3715 $1463 $4679 $1832 #
integer_attr-name_attr-gen-attr $-1 -1 $-1 $3718 $3162 lose lose ignore keep @15 VF_ID_NUM_LOCAL 24 #
integer_attr-name_attr-gen-attr $-1 -1 $-1 $3721 lose lose ignore keep @15 VF_ID_NUM_LOCAL 58 #
face $4680 -1 -1 $-1 $4322 $3721 $221 $-1 $4681 reversed double in T -35.543854992528225 0 47.534981229876706 -
34.902553611942167 19.150000000000006 47.534981229876706 F #
coedge $-1 -1 -1 $-1 $3782 $4682 $4251 $4250 forward $3215 $-1 #
edge $4683 -1 -1 $-1 $4256 -29.5 $4331 29.5 $3726 $4684 forward @7 unknown T -44.846720713508006 0 86.284205678655795
12.52310458995488 0 100.05748214615421 #
coedge $-1 -1 -1 $-1 $4329 $3727 $3726 $4250 forward $4254 $-1 #
coedge $-1 -1 -1 $-1 $3727 $4685 $3729 $4258 forward $4254 $-1 #
coedge $-1 -1 -1 $-1 $4686 $4303 $3169 $3728 reversed $3779 $-1 #
loop $4687 -1 -1 $-1 $-1 $4329 $4688 T -80 0 0 80 0 160 unknown #
plist-eye-attr $-1 -1 $4689 $-1 $3728 #
vertex $4690 -1 -1 $-1 $4691 $4692 #
straight-curve $-1 -1 -1 $-1 -40.061090754461944 0 66.350622310503439 0.2334453638559052 0 -0.97236992039767589 II #
edge $4693 -1 -1 $-1 $4694 -18.001915208956632 $3732 -4.6432165895426465 $4252 $4695 forward @7 unknown T -
48.90255361194221 0 47.534981229876706 -35.543854992528225 0 47.534981229876706 #
integer_attr-name_attr-gen-attr $-1 -1 $-1 $3730 lose lose ignore keep @15 VF_ID_NUM_LOCAL 87 #
face $4696 -1 -1 $-1 $4176 $3730 $221 $-1 $4697 reversed single T -48.90255361194221 0 0 -29.999999999999972 0
47.534981229876706 F #
integer_attr-name_attr-gen-attr $-1 -1 $-1 $3731 $3171 lose lose ignore keep @15 VF_ID_NUM_LOCAL 45 #
integer_attr-name_attr-gen-attr $-1 -1 $-1 $3732 lose lose ignore keep @15 VF_ID_NUM_LOCAL 34 #
point $-1 -1 -1 $-1 -35.543854992528225 0 47.534981229876706 #
coedge $-1 -1 -1 $-1 $4131 $4452 $4449 $4265 reversed $4581 $-1 #
edge $4698 -1 -1 $-1 $4134 -0.5349999999999859 $4267 -0.3349999999999863 $3734 $1473 forward @7 unknown T -
14.574787690284523 1.3999999999999999 52.415246047219355 -14.574787690284523 1.5999999999999999 52.41524604721937 #
plist-eye-attr $-1 -1 $4699 $-1 $3735 #
vertex $4700 -1 -1 $-1 $3735 $4701 #
integer_attr-name_attr-gen-attr $-1 -1 $-1 $3737 lose lose ignore keep @15 VF_ID_NUM_LOCAL 31 #
integer_attr-name_attr-gen-attr $-1 -1 $-1 $3738 $3177 lose lose ignore keep @15 VF_ID_NUM_LOCAL 139 #
integer_attr-name_attr-gen-attr $-1 -1 $4702 $-1 $3739 copy keep_all ignore copy @7 VF_PAIR 21 #
point $-1 -1 -1 $-1 -14.574787690284523 1.2 52.41524604721937 #
integer_attr-name_attr-gen-attr $-1 -1 $4703 $3741 $3179 copy keep_all ignore copy @13 VF_PAIR_GROUP 1 #
string_attr-name_attr-gen-attr $-1 -1 $4704 $3743 $2687 custom custom ignore copy @9 _VF_DATA_ @66
13:ENTITYTYPE=169:VERSION=236:Information=paired vertex [layering] #
integer_attr-name_attr-gen-attr $-1 -1 $-1 $3744 $2296 lose lose ignore keep @15 VF_ID_NUM_LOCAL 71 #
coedge $-1 -1 -1 $-1 $3745 $4110 $3592 $4132 reversed $3964 $-1 #
plist-eye-attr $-1 -1 $4705 $-1 $3746 #
integer_attr-name_attr-gen-attr $-1 -1 $-1 $3749 $3186 lose lose ignore keep @15 VF_ID_NUM_LOCAL 174 #
integer_attr-name_attr-gen-attr $-1 -1 $4706 $-1 $3750 copy keep_all ignore copy @7 VF_PAIR 5 #
ellipse-curve $-1 -1 -1 $-1 -241.5 1.9999999999999998 0 0 1 0 232.90000000000001 0 0 1 II #
fctd_mark-eye-attr $-1 -1 $4707 $-1 $3752 #
plist-eye-attr $-1 -1 $4708 $-1 $3756 #
ellipse-curve $-1 -1 -1 $-1 -245.5 19.150000000000006 0 0 1 0 0 232.90000000000001 1 1 I #
integer_attr-name_attr-gen-attr $-1 -1 $-1 $3761 $3199 lose lose ignore keep @15 VF_ID_NUM_LOCAL 23 #
integer_attr-name_attr-gen-attr $-1 -1 $-1 $3764 lose lose ignore keep @15 VF_ID_NUM_LOCAL 77 #
face $4709 -1 -1 $-1 $3681 $3764 $221 $-1 $4710 reversed double in T -14.574787690284527 2.1299999999999999 0 -
2.799999999999994 2.130000000000008 53.733624414536493 F #

```

```

integer_attr-name_attr-gen-attr $-1 -1 $-1 $3765 $3201 lose lose ignore keep @15 VF_ID_NUM_LOCAL 41 #
coedge $-1 -1 -1 $-1 $3767 $3829 $3843 $4361 forward $2739 $-1 #
coedge $-1 -1 -1 $-1 $4647 $4646 $3549 $4083 reversed $4648 $-1 #
fmesh-eye-attr $-1 -1 $4711 $3768 $3204 #
fctd_mark-eye-attr $-1 -1 $4712 $-1 $3769 #
cone-surface $-1 -1 -1 $-1 -224.30235294117648 2.1400000000000006 0 0.22903933372554727 0.97341716833357594 0 0 0
232.90000000000001 0.97341716833357605 I I I 0 1 232.90000000000001 forward I I I I #
integer_attr-name_attr-gen-attr $-1 -1 $-1 $3771 $3209 lose lose ignore keep @15 VF_ID_NUM_LOCAL 59 #
integer_attr-name_attr-gen-attr $-1 -1 $-1 $3772 lose lose ignore keep @15 VF_ID_NUM_LOCAL 42 #
point $-1 -1 -1 $-1 -9.0833465800063209 2.1300000000000003 53.733624414536493 #
real_attr-name_attr-gen-attr $-1 -1 $4713 $3774 $1899 lose lose lose keep @11 VF_FACEAREA 367.19848249531213 #
string_attr-name_attr-gen-attr $-1 -1 $4714 $3775 $2302 custom custom ignore copy @9 _VF_DATA_ @68
12:ENTITYTYPE=49:VERSION=225:Information=Internal face1:FaceSense=1 #
integer_attr-name_attr-gen-attr $-1 -1 $4715 $3776 $2706 lose lose ignore keep @15 VF_ID_NUM_LOCAL 47 #
fmesh-eye-attr $-1 -1 $4716 $3777 $3214 #
fctd_mark-eye-attr $-1 -1 $4717 $-1 $3778 #
loop $4718 -1 -1 $-1 $-1 $4328 $3778 T 12.523104589954876 0 61.15469622206308 21.862837159370077 19.150000000000002
100.0574821461542 unknown #
plane-surface $-1 -1 -1 $-1 17.308734549000931 9.5750000000000011 80.123898778001859 -0.97236992039767667 0 -
0.23344536385590539 -0.2334453638559052 0 0.97236992039767589 forward_v I I I I #
integer_attr-name_attr-gen-attr $-1 -1 $-1 $3779 lose lose ignore keep @15 VF_ID_NUM_LOCAL 52 #
coedge $-1 -1 -1 $-1 $4253 $4308 $3534 $4062 forward $3779 $-1 #
coedge $-1 -1 -1 $-1 $4682 $3782 $4307 $4719 forward $3215 $-1 #
coedge $-1 -1 -1 $-1 $3807 $4720 $3782 $4306 reversed $4300 $-1 #
edge $4721 -1 -1 $-1 $4331 -9.5750000000000011 $4722 9.5750000000000011 $4305 $4723 forward @7 unknown T
12.523104589954876 0 100.0574821461542 12.523104589954876 19.150000000000002 100.0574821461542 #
coedge $-1 -1 -1 $-1 $4319 $3783 $4304 $4719 reversed $2707 $-1 #
coedge $-1 -1 -1 $-1 $4303 $4686 $3783 $4309 forward $3779 $-1 #
edge $4724 -1 -1 $-1 $4725 -20.500000000000014 $4067 19.350291165867809 $3783 $4726 forward @7 unknown T -
44.846720713508006 19.150000000000002 47.534981229876706 -35.543854992528225 19.150000000000002 86.284205678655809 #
ptlist-eye-attr $-1 -1 $4727 $-1 $3786 #
edge $4728 -1 -1 $-1 $4223 0 $3789 0.24423969373118543 $3787 $4729 forward @7 unknown T 1.687868417735416 1.2 0
8.599999999999999 1.2000000000000002 56.319564344979476 #
integer_attr-name_attr-gen-attr $-1 -1 $-1 $3788 $3222 lose lose ignore keep @15 VF_ID_NUM_LOCAL 141 #
integer_attr-name_attr-gen-attr $-1 -1 $4730 $-1 $3789 copy keep_all ignore copy @7 VF_PAIR 20 #
point $-1 -1 -1 $-1 1.687868417735416 1.2 56.319564344979469 #
integer_attr-name_attr-gen-attr $-1 -1 $4731 $3791 $3226 copy keep_all ignore copy @13 VF_PAIR_GROUP 0 #
integer_attr-name_attr-gen-attr $-1 -1 $4732 $3793 $3227 copy keep_all ignore copy @13 VF_PAIR_GROUP 3 #
string_attr-name_attr-gen-attr $-1 -1 $4733 $3795 $2715 custom custom ignore copy @9 _VF_DATA_ @66
13:ENTITYTYPE=169:VERSION=236:Information=paired vertex [layering] #
integer_attr-name_attr-gen-attr $-1 -1 $-1 $3796 $2308 lose lose ignore keep @15 VF_ID_NUM_LOCAL 72 #
coedge $-1 -1 -1 $-1 $3797 $4307 $4720 $4734 forward $2707 $-1 #
coedge $-1 -1 -1 $-1 $3799 $3798 $4328 $4735 reversed $3800 $-1 #
integer_attr-name_attr-gen-attr $-1 -1 $-1 $3800 lose lose ignore keep @15 VF_ID_NUM_LOCAL 57 #
face $4736 -1 -1 $-1 $2742 $3800 $221 $-1 $4737 reversed double in T 21.827642113708748 0 61.15469622206308
21.862837159370077 19.150000000000006 61.154696222063265 F #
fctd_mark-eye-attr $-1 -1 $4738 $-1 $3802 #
cone-surface $-1 -1 -1 $-1 -202.90000000000001 19.150000000000006 0 0 -1 0 232.90000000000001 0 0 1 I I 0 -1
232.90000000000001 forward I I I I #
ptlist-eye-attr $-1 -1 $4739 $-1 $3805 #
vertex $4740 -1 -1 $-1 $4735 $4741 #
straight-curve $-1 -1 -1 $-1 16.543821477061925 19.150000000000002 61.15469622206308 -1 0 0 I I #
coedge $-1 -1 -1 $-1 $4720 $3807 $4533 $4735 forward $4300 $-1 #
coedge $-1 -1 -1 $-1 $4742 $4251 $3240 $3808 forward $4254 $-1 #
ptlist-eye-attr $-1 -1 $4743 $-1 $3808 #
vertex $4744 -1 -1 $-1 $4306 $4745 #
straight-curve $-1 -1 -1 $-1 17.308734549000931 0 80.123898778001859 0.2334453638559052 0 -0.97236992039767589 I I #
coedge $-1 -1 -1 $-1 $4533 $4746 $4742 $4334 reversed $4075 $-1 #
edge $4747 -1 -1 $-1 $3614 1.0809266309429297 $4748 15.045731585281658 $4742 $4749 forward @7 unknown T
21.862837159370077 0 61.154696222063087 35.827642113708805 0 61.154696222063095 #
ptlist-eye-attr $-1 -1 $4750 $-1 $3810 #
ellipse-curve $-1 -1 -1 $-1 -220.30000000000001 19.150000000000006 0 0 1 0 0 0 232.90000000000001 1 I I #
integer_attr-name_attr-gen-attr $-1 -1 $-1 $3816 lose lose ignore keep @15 VF_ID_NUM_LOCAL 5 #
face $4751 -1 -1 $-1 $4752 $3816 $221 $-1 $577 forward double in T 1.687868417735416 1.7999999999999998 0
8.599999999999999 2 56.319564344979476 F #
integer_attr-name_attr-gen-attr $-1 -1 $-1 $3817 $3251 lose lose ignore keep @15 VF_ID_NUM_LOCAL 177 #
integer_attr-name_attr-gen-attr $-1 -1 $4753 $-1 $3818 copy keep_all ignore copy @7 VF_PAIR 1 #
ellipse-curve $-1 -1 -1 $-1 -224.30000000000001 2 0 0 -1 0 232.90000000000001 0 0 1 I I #
fctd_mark-eye-attr $-1 -1 $4754 $-1 $3820 #
coedge $-1 -1 -1 $-1 $3823 $3822 $4755 $4756 reversed $3824 $-1 #
integer_attr-name_attr-gen-attr $-1 -1 $-1 $3824 lose lose ignore keep @15 VF_ID_NUM_LOCAL 80 #
integer_attr-name_attr-gen-attr $-1 -1 $-1 $3825 $3257 lose lose ignore keep @15 VF_ID_NUM_LOCAL 52 #

```

```

integer_attr-name_attr-gen-attr $-1 -1 $-1 $3827 $3258 lose lose ignore keep @15 VF_ID_NUM_LOCAL 43 #
coedge $-1 -1 -1 $-1 $4755 $4757 $3550 $4084 reversed $3840 $-1 #
fmesh-eye-attr $-1 -1 $4758 $3830 $3261 #
integer_attr-name_attr-gen-attr $-1 -1 $-1 $3832 $3264 lose lose ignore keep @15 VF_ID_NUM_LOCAL 55 #
integer_attr-name_attr-gen-attr $-1 -1 $-1 $3833 lose lose ignore keep @15 VF_ID_NUM_LOCAL 39 #
point $-1 -1 -1 $-1 -3.5995596259547256 2.1199999999999999 55.050165181524932 #
real_attr-name_attr-gen-attr $-1 -1 $4759 $3835 $1908 lose lose lose keep @11 VF_FACEAREA 363.65419707382006 #
string_attr-name_attr-gen-attr $-1 -1 $4760 $3836 $2316 custom custom ignore copy @9 _VF_DATA_ @68
12:ENTITYTYPE=49:VERSION=225:Information=Internal face11:FaceSense=1 #
integer_attr-name_attr-gen-attr $-1 -1 $4761 $3837 $2738 lose lose ignore keep @15 VF_ID_NUM_LOCAL 18 #
fmesh-eye-attr $-1 -1 $4762 $3838 $3271 #
fctd_mark-eye-attr $-1 -1 $4763 $-1 $3839 #
plane-surface $-1 -1 -1 $-1 0 2.1200000000000001 -5 0 -1 0 0 0 -1 forward_v IIII #
integer_attr-name_attr-gen-attr $-1 -1 $-1 $3840 lose lose ignore keep @15 VF_ID_NUM_LOCAL 81 #
coedge $-1 -1 -1 $-1 $4645 $3843 $4757 $4764 reversed $3272 $-1 #
coedge $-1 -1 -1 $-1 $3843 $4645 $4647 $4765 forward $3272 $-1 #
edge $4766 -1 -1 $-1 $4545 -39.893574478101812 $4542 -34.253964655732098 $4287 $4767 forward @7 unknown T -
9.0833465800063351 2.1499999999999998 53.733624414536479 -3.5995596259547256 2.1499999999999999 55.050165181524932 #
integer_attr-name_attr-gen-attr $-1 -1 $4768 $3844 $2742 lose lose ignore keep @15 VF_ID_NUM_LOCAL 44 #
integer_attr-name_attr-gen-attr $-1 -1 $-1 $3845 $1913 lose lose ignore keep @15 VF_ID_NUM_LOCAL 163 #
string_attr-name_attr-gen-attr $-1 -1 $4769 $3846 $0 keep keep ignore copy @14 VF_COLOUR_DATA @53
7:NAME=199:VERSION=213:List=Coiltype14:Label=STRAIGHT #
string_attr-name_attr-gen-attr $-1 -1 $-1 $3848 custom custom ignore copy @9 _VF_DATA_ @89
12:ENTITYTYPE=29:VERSION=36:Size=319:MaterialLabel=ferro11:Potential=516:VolumeLabel=pack #
cface $4770 -1 $2384 $354 $2803 0 #
real_attr-name_attr-gen-attr $-1 -1 $4771 $3849 $3285 lose lose lose keep @11 VF_FACEAREA 315.47387798633576 #
rgb_color-st-attr $-1 -1 $4772 $3851 $2765 0.54901963472366333 0.90196079015731812 0.019607843831181526 #
real_attr-name_attr-gen-attr $-1 -1 $4773 $3852 $3287 lose lose lose keep @11 VF_FACEAREA 1.084442435993511 #
string_attr-name_attr-gen-attr $-1 -1 $4774 $3854 $2359 custom custom ignore copy @9 _VF_DATA_ @68
12:ENTITYTYPE=49:VERSION=225:Information=External face11:FaceSense=1 #
rgb_color-st-attr $-1 -1 $-1 $3855 $1981 0.54901963472366333 0.90196079015731812 0.019607843831181526 #
integer_attr-name_attr-gen-attr $-1 -1 $-1 $3856 lose lose ignore keep @15 VF_ID_NUM_LOCAL 64 #
ellipse-curve $-1 -1 -1 $-1 -224.30000000000001 2.1200000000000001 0 0 1 0 232.90000000000001 0 0 1 II #
rgb_color-st-attr $-1 -1 $-1 $3858 $1983 0.54901963472366333 0.90196079015731812 0.019607843831181526 #
integer_attr-name_attr-gen-attr $-1 -1 $-1 $3859 lose lose ignore keep @15 VF_ID_NUM_LOCAL 23 #
straight-curve $-1 -1 -1 $-1 -3.6200578592092825 -49.785245901639335 0 -0.22903933372554727 -0.97341716833357594 0 II #
integer_attr-name_attr-gen-attr $-1 -1 $-1 $3861 lose lose ignore keep @15 VF_ID_NUM_LOCAL 25 #
point $-1 -1 -1 $-1 8.59999999999999943 2.1500000000000009 0 #
cface_ptr-ct-attr $-1 -1 $-1 $3864 $1988 $-1 $1581 #
rgb_color-st-attr $-1 -1 $4775 $3865 $2371 0.54901963472366333 0.90196079015731812 0.019607843831181526 #
string_attr-name_attr-gen-attr $-1 -1 $-1 $3878 custom custom ignore copy @9 _VF_DATA_ @89
12:ENTITYTYPE=29:VERSION=36:Size=319:MaterialLabel=ferro11:Potential=516:VolumeLabel=pack #
integer_attr-name_attr-gen-attr $-1 -1 $-1 $3879 lose lose ignore keep @15 VF_ID_NUM_LOCAL 54 #
straight-curve $-1 -1 -1 $-1 -2.8499999999999996 2.1299999999999999 0 -1 0 0 II #
string_attr-name_attr-gen-attr $-1 -1 $4776 $3882 $2803 custom custom ignore copy @9 _VF_DATA_ @68
12:ENTITYTYPE=49:VERSION=225:Information=External face11:FaceSense=0 #
integer_attr-name_attr-gen-attr $-1 -1 $-1 $3883 lose lose ignore keep @15 VF_ID_NUM_LOCAL 31 #
straight-curve $-1 -1 -1 $-1 -3.5995596259547256 2.1349999999999998 55.050165181524918 0 1 0 II #
integer_attr-name_attr-gen-attr $-1 -1 $-1 $3885 lose lose ignore keep @15 VF_ID_NUM_LOCAL 29 #
point $-1 -1 -1 $-1 -3.5995596259547256 2.1499999999999998 55.050165181524918 #
integer_attr-name_attr-gen-attr $-1 -1 $-1 $3887 lose lose ignore keep @15 VF_ID_NUM_LOCAL 61 #
ellipse-curve $-1 -1 -1 $-1 -235.70000000000002 2.1499999999999995 0 0 -1 0 232.90000000000001 0 0 1 II #
integer_attr-name_attr-gen-attr $-1 -1 $-1 $3891 lose lose ignore keep @15 VF_ID_NUM_LOCAL 40 #
point $-1 -1 -1 $-1 -2.7999999999999994 2.1299999999999999 0 #
integer_attr-name_attr-gen-attr $-1 -1 $-1 $3894 lose lose ignore keep @15 VF_ID_NUM_LOCAL 31 #
point $-1 -1 -1 $-1 -3.5995596259547256 2.1199999999999992 55.050165181524918 #
rgb_color-st-attr $-1 -1 $-1 $3914 $2044 0.54901963472366333 0.90196079015731812 0.019607843831181526 #
string_attr-name_attr-gen-attr $-1 -1 $4777 $3915 $2436 custom custom ignore copy @9 _VF_DATA_ @68
12:ENTITYTYPE=49:VERSION=225:Information=External face11:FaceSense=1 #
string_attr-name_attr-gen-attr $-1 -1 $-1 $3917 custom custom ignore copy @9 _VF_DATA_ @68
12:ENTITYTYPE=29:VERSION=36:Size=617:MaterialLabel=Air11:Potential=5 #
cface_ptr-ct-attr $-1 -1 $-1 $3924 $2094 $-1 $3386 #
string_attr-name_attr-gen-attr $-1 -1 $-1 $3925 custom custom ignore copy @9 _VF_DATA_ @68
12:ENTITYTYPE=29:VERSION=36:Size=617:MaterialLabel=Air11:Potential=5 #
cface_ptr-ct-attr $-1 -1 $-1 $3927 $2104 $-1 $4407 #
integer_attr-name_attr-gen-attr $-1 -1 $4778 $3928 $2475 lose lose ignore keep @15 VF_ID_NUM_LOCAL 6 #
integer_attr-name_attr-gen-attr $-1 -1 $-1 $3930 lose lose ignore keep @15 VF_ID_NUM_LOCAL 5 #
point $-1 -1 -1 $-1 80 80 0 #
integer_attr-name_attr-gen-attr $-1 -1 $-1 $3940 lose lose ignore keep @15 VF_ID_NUM_LOCAL 5 #
straight-curve $-1 -1 -1 $-1 80 40 0 -1 0 II #
string_attr-name_attr-gen-attr $-1 -1 $-1 $3946 custom custom ignore copy @9 _VF_DATA_ @68
12:ENTITYTYPE=29:VERSION=36:Size=617:MaterialLabel=Air11:Potential=5 #

```

```

cface $4779 -1 $4780 $366 $2104 0 #
string_attrib-name_attrib-gen-attrb $-1 -1 $4781 $3952 $40 keep keep_ignored copy @14_VF_COLOUR_DATA @55
8:NAME=1759:VERSION=216:List=ElementType12:Label=Linear #
string_attrib-name_attrib-gen-attrb $-1 -1 $-1 $3954 $3443 custom custom ignore copy @9_VF_DATA_ @68
12:ENTITYTYPE=29:VERSION=36:Size=617:MaterialLabel=Air11:Potential=5 #
integer_attrib-name_attrib-gen-attrb $-1 -1 $4782 $-1 $3955 lose lose ignore keep @15_VF_ID_NUM_LOCAL 16 #
cell3d-cell $4783 -1 $3606 $127 $-1 1 $4784 #
cshell $-1 -1 $-1 $4785 $3955 #
cface $4786 -1 $4787 $3956 $2302 1 #
string_attrib-name_attrib-gen-attrb $-1 -1 $-1 $-1 $3958 custom custom ignore copy @9_VF_DATA_ @86
12:ENTITYTYPE=29:VERSION=38:Size=0.517:MaterialLabel=Air11:Potential=213:ElementType=7 #
cface $4788 -1 $4789 $2945 $4752 0 #
string_attrib-name_attrib-gen-attrb $-1 -1 $-1 $-1 $3960 custom custom ignore copy @9_VF_DATA_ @86
12:ENTITYTYPE=29:VERSION=38:Size=0.517:MaterialLabel=Air11:Potential=213:ElementType=7 #
cface $4790 -1 $4791 $2522 $3963 0 #
fctd_mark-eye-attrb $-1 -1 $4792 $-1 $3961 #
fmesh-eye-attrb $-1 -1 $4793 $3962 $3448 #
fctd_mark-eye-attrb $-1 -1 $4794 $-1 $3963 #
integer_attrib-name_attrib-gen-attrb $-1 -1 $-1 $-1 $3964 lose lose ignore keep @15_VF_ID_NUM_LOCAL 8 #
string_attrib-name_attrib-gen-attrb $-1 -1 $-1 $-1 $3966 custom custom ignore copy @9_VF_DATA_ @86
12:ENTITYTYPE=29:VERSION=38:Size=0.517:MaterialLabel=Air11:Potential=213:ElementType=7 #
cface $4795 -1 $4796 $2162 $2531 0 #
fmesh-eye-attrb $-1 -1 $4797 $3967 $3451 #
fctd_mark-eye-attrb $-1 -1 $4798 $-1 $3968 #
face $4799 -1 -1 $-1 $3597 $4581 $221 $-1 $1054 forward double in T -14.574787690284523 1.399999999999999 0 -
8.599999999999999 43 1.599999999999999 52.415246047219377 F #
loop $4800 -1 -1 $-1 $-1 $3992 $3968 T -14.574787690284527 1.399999999999998 52.415246047219355 1.687868417735416
1.6000000000000014 56.319564344979469 unknown #
integer_attrib-name_attrib-gen-attrb $-1 -1 $-1 $-1 $3969 lose lose ignore keep @15_VF_ID_NUM_LOCAL 23 #
coedge $-1 -1 -1 $-1 $4136 $4122 $4103 $4567 reversed $3969 $-1 #
string_attrib-name_attrib-gen-attrb $-1 -1 $-1 $-1 $3971 custom custom ignore copy @9_VF_DATA_ @86
12:ENTITYTYPE=29:VERSION=38:Size=0.517:MaterialLabel=Air11:Potential=213:ElementType=7 #
cface $4801 -1 $-1 $1794 $3487 0 #
integer_attrib-name_attrib-gen-attrb $-1 -1 $4802 $3972 $3454 copy keep_all ignore copy @13_VF_PAIR_GROUP 0 #
integer_attrib-name_attrib-gen-attrb $-1 -1 $-1 $-1 $3973 lose lose ignore keep @15_VF_ID_NUM_LOCAL 30 #
string_attrib-name_attrib-gen-attrb $-1 -1 $4803 $3975 $2526 custom custom ignore copy @9_VF_DATA_ @68
12:ENTITYTYPE=49:VERSION=225:Information=Internal face11:FaceSense=0 #
string_attrib-name_attrib-gen-attrb $-1 -1 $-1 $-1 $3978 custom custom ignore copy @9_VF_DATA_ @86
12:ENTITYTYPE=29:VERSION=38:Size=0.517:MaterialLabel=Air11:Potential=213:ElementType=7 #
fmesh-eye-attrb $-1 -1 $4804 $3979 $3460 #
integer_attrib-name_attrib-gen-attrb $-1 -1 $-1 $-1 $3980 lose lose ignore keep @15_VF_ID_NUM_LOCAL 29 #
coedge $-1 -1 -1 $-1 $4195 $4220 $3996 $4455 reversed $3980 $-1 #
string_attrib-name_attrib-gen-attrb $-1 -1 $4805 $3981 $2529 custom custom ignore copy @9_VF_DATA_ @68
12:ENTITYTYPE=49:VERSION=225:Information=Internal face11:FaceSense=1 #
coedge $-1 -1 -1 $-1 $3983 $3982 $3469 $3993 forward $2956 $-1 #
integer_attrib-name_attrib-gen-attrb $-1 -1 $4806 $-1 $3985 copy keep_all ignore copy @7_VF_PAIR 22 #
straight-curve $-1 -1 -1 $-1 -42.438146628710079 1.199999999999999 45.725845409478296 0.97236992039767645 0
0.23344536385590534 I I #
real_attrib-name_attrib-gen-attrb $-1 -1 $4807 $3986 $2166 lose lose lose keep @11_VF_FACEAREA 10.573622936633269 #
fmesh-eye-attrb $-1 -1 $4808 $3987 $2531 #
integer_attrib-name_attrib-gen-attrb $-1 -1 $4809 $3988 $2959 lose lose ignore keep @15_VF_ID_NUM_LOCAL 76 #
coedge $-1 -1 -1 $-1 $4104 $3990 $3688 $4221 forward $3467 $-1 #
coedge $-1 -1 -1 $-1 $3997 $3996 $3787 $4311 forward $3973 $-1 #
edge $4810 -1 -1 $-1 $4267 -0.2269992043072836 $4454 0 $3994 $4811 forward @7 unknown T -14.574787690284523
1.399999999999999 0 -8.599999999999999 43 1.399999999999999 52.415246047219377 #
coedge $-1 -1 -1 $-1 $4128 $3992 $3734 $4265 reversed $4427 $-1 #
integer_attrib-name_attrib-gen-attrb $-1 -1 $4812 $-1 $3993 copy keep_all ignore copy @7_VF_PAIR 18 #
straight-curve $-1 -1 -1 $-1 -42.438146628710079 1.399999999999998 45.725845409478296 0.97236992039767645 0
0.23344536385590534 I I #
coedge $-1 -1 -1 $-1 $4264 $4580 $3991 $4448 reversed $4581 $-1 #
ptlist-eye-attrb $-1 -1 $4813 $-1 $3995 #
vertex $4814 -1 -1 $-1 $3995 $4815 #
edge $4816 -1 -1 $-1 $3999 -8.599999999999996 $4223 8.599999999999996 $4012 $4817 forward @7 unknown T -
8.599999999999996 1.2 0 8.599999999999996 1.200000000000002 0 #
integer_attrib-name_attrib-gen-attrb $-1 -1 $4818 $3998 $3473 copy keep_all ignore copy @13_VF_PAIR_GROUP 1 #
integer_attrib-name_attrib-gen-attrb $-1 -1 $4819 $-1 $3999 copy keep_all ignore copy @7_VF_PAIR 23 #
point $-1 -1 -1 $-1 -8.599999999999996 1.2 0 #
rgb_color-st-attrb $-1 -1 $4820 $4002 $1798 0.60000002384185791 0.60000002384185791 0.60000002384185791 #
cface_ptr-ct-attrb $-1 -1 $4821 $4003 $1801 $1396 $4482 #
ptlist-eye-attrb $-1 -1 $4822 $4004 $2973 #
cface_ptr-ct-attrb $-1 -1 $-1 $4005 $1397 $4823 $1031 #
integer_attrib-name_attrib-gen-attrb $-1 -1 $4824 $4006 $1803 lose lose ignore keep @15_VF_ID_NUM_LOCAL 65 #

```



```

real_attrib-name_attrib-gen-attrib $-1 -1 $4825 $4007 $2177 lose lose lose keep @11 VF_FACEAREA 3.4400000000000031 #
string_attrib-name_attrib-gen-attrib $-1 -1 $4826 $4008 $2546 custom custom ignore copy @9 _VF_DATA_ @68
12:ENTITYTYPE=49:VERSION=225:Information=Internal face11:FaceSense=0 #
integer_attrib-name_attrib-gen-attrib $-1 -1 $4827 $4009 $2978 lose lose ignore keep @15 VF_ID_NUM_LOCAL 68 #
fmesh-eye-attrib $-1 -1 $4828 $4010 $3487 #
integer_attrib-name_attrib-gen-attrib $-1 -1 $4829 $4014 $3493 copy keep_all ignore copy @13 VF_PAIR_GROUP 2 #
integer_attrib-name_attrib-gen-attrib $-1 -1 $4830 $4016 $3494 copy keep_all ignore copy @13 VF_PAIR_GROUP 1 #
integer_attrib-name_attrib-gen-attrib $-1 -1 $4831 $4018 $3495 copy keep_all ignore copy @13 VF_PAIR_GROUP 3 #
pplist-eye-attrib $-1 -1 $4832 $4020 $2985 #
integer_attrib-name_attrib-gen-attrib $-1 -1 $4833 $4022 $3502 copy keep_all ignore copy @13 VF_PAIR_GROUP 2 #
integer_attrib-name_attrib-gen-attrib $-1 -1 $4834 $4024 $3503 copy keep_all ignore copy @13 VF_PAIR_GROUP 2 #
string_attrib-name_attrib-gen-attrib $-1 -1 $4835 $4026 $2553 custom custom ignore copy @9 _VF_DATA_ @63
12:ENTITYTYPE=89:VERSION=234:Information=paired edge [layering] #
string_attrib-name_attrib-gen-attrib $-1 -1 $4836 $4027 $2990 custom custom ignore copy @9 _VF_DATA_ @66
13:ENTITYTYPE=169:VERSION=236:Information=paired vertex [layering] #
rgb_color-st-attrib $-1 -1 $-1 $4029 $1401 0.60000002384185791 0.60000002384185791 0.60000002384185791 #
rgb_color-st-attrib $-1 -1 $4837 $4030 $1809 0.60000002384185791 0.60000002384185791 0.60000002384185791 #
real_attrib-name_attrib-gen-attrib $-1 -1 $4838 $4031 $1405 lose lose lose keep @11 VF_FACEAREA 935.14253265242542 #
cface_ptr-ct-attrib $-1 -1 $4839 $4032 $1815 $-1 $1797 #
string_attrib-name_attrib-gen-attrib $-1 -1 $-1 $4035 custom custom ignore copy @9 _VF_DATA_ @68
12:ENTITYTYPE=29:VERSION=36:Size=117:MaterialLabel=Air11:Potential=2 #
string_attrib-name_attrib-gen-attrib $-1 -1 $-1 $4037 custom custom ignore copy @9 _VF_DATA_ @68
12:ENTITYTYPE=29:VERSION=36:Size=317:MaterialLabel=Air11:Potential=2 #
cface $4840 -1 $4841 $3444 $1801 0 #
cface_ptr-ct-attrib $-1 -1 $-1 $4038 $1410 $4842 $3475 #
integer_attrib-name_attrib-gen-attrib $-1 -1 $4843 $4039 $1823 lose lose ignore keep @15 VF_ID_NUM_LOCAL 60 #
real_attrib-name_attrib-gen-attrib $-1 -1 $4844 $4040 $2201 lose lose lose keep @11 VF_FACEAREA 3.4400000000000013 #
string_attrib-name_attrib-gen-attrib $-1 -1 $4845 $4041 $2577 custom custom ignore copy @9 _VF_DATA_ @63
12:ENTITYTYPE=89:VERSION=234:Information=paired edge [layering] #
integer_attrib-name_attrib-gen-attrib $-1 -1 $-1 $4042 $2209 lose lose ignore keep @15 VF_ID_NUM_LOCAL 116 #
string_attrib-name_attrib-gen-attrib $-1 -1 $4846 $4043 $2581 custom custom ignore copy @9 _VF_DATA_ @63
12:ENTITYTYPE=89:VERSION=234:Information=paired edge [layering] #
integer_attrib-name_attrib-gen-attrib $-1 -1 $4847 $4045 $1043 copy keep_all ignore copy @21 VF_PAIR_TRANSFDEFINED 0 #
cface_ptr-ct-attrib $-1 -1 $-1 $4046 $1417 $4848 $4849 #
cface_ptr-ct-attrib $-1 -1 $4850 $4047 $1835 $4851 $4787 #
real_attrib-name_attrib-gen-attrib $-1 -1 $4852 $4048 $2218 lose lose lose keep @11 VF_FACEAREA 453.31907856177878 #
real_attrib-name_attrib-gen-attrib $-1 -1 $4853 $4049 $2587 lose lose lose keep @11 VF_FACEAREA 9819.79999999999993 #
integer_attrib-name_attrib-gen-attrib $-1 -1 $4854 $4050 $3019 lose lose ignore keep @15 VF_ID_NUM_LOCAL 31 #
fmesh-eye-attrib $-1 -1 $4855 $4051 $3529 #
fctd_mark-eye-attrib $-1 -1 $4856 $-1 $4052 #
face $4857 -1 -1 $-1 $4688 $4858 $221 $-1 $4859 reversed single T 80 0 0 80 80 160 F #
loop $4860 -1 -1 $-1 $-1 $4861 $4052 T -80 80 0 80 80 160 unknown #
plane-surface $-1 -1 -1 $-1 0 80 80 0 -1 0 0 0 -1 forward v IIII #
integer_attrib-name_attrib-gen-attrib $-1 -1 $-1 $-1 $4053 lose lose ignore keep @15 VF_ID_NUM_LOCAL 68 #
coedge $-1 -1 -1 $-1 $4862 $4863 $4864 $4865 forward $4053 $-1 #
coedge $-1 -1 -1 $-1 $4866 $4056 $4867 $4868 forward $3530 $-1 #
coedge $-1 -1 -1 $-1 $4056 $4866 $4869 $4870 forward $3530 $-1 #
coedge $-1 -1 -1 $-1 $4871 $4872 $4056 $4505 reversed $4858 $-1 #
edge $4873 -1 -1 $-1 $4874 -40 $4875 40 $4504 $4876 forward @7 unknown T 80 0 160 80 80 160 #
coedge $-1 -1 -1 $-1 $4877 $4057 $4862 $4878 forward $3020 $-1 #
coedge $-1 -1 -1 $-1 $4685 $4879 $4057 $4508 reversed $4254 $-1 #
edge $4880 -1 -1 $-1 $4240 43.999999999999972 $4881 80 $4507 $4882 forward @7 unknown T -80 0 0 -43.999999999999972 0 0 #
coedge $-1 -1 -1 $-1 $4058 $4883 $4604 $4884 forward $3020 $-1 #
edge $4885 -1 -1 $-1 $4886 -164.6851693383469 $4512 -157.61410152648145 $4058 $4887 forward @7 unknown T -44
29.15000000000002 0 -39 34.15000000000002 0 #
pplist-eye-attrib $-1 -1 $4888 $-1 $4059 #
vertex $4889 -1 -1 $-1 $4059 $4890 #
straight-curve $-1 -1 -1 $-1 -43.999999999999972 14.575000000000001 0 0 -1 0 II #
coedge $-1 -1 -1 $-1 $4517 $4060 $4891 $4892 forward $2588 $-1 #
pplist-eye-attrib $-1 -1 $4893 $-1 $4062 #
straight-curve $-1 -1 -1 $-1 -35.543854992528225 19.787500000000001 47.534981229876706 0 -1 0 II #
coedge $-1 -1 -1 $-1 $4063 $4514 $4894 $4895 forward $2588 $-1 #
coedge $-1 -1 -1 $-1 $4896 $4071 $4063 $4519 reversed $4528 $-1 #
edge $4897 -1 -1 $-1 $4898 -1.95191520895672 $4521 7.0480847910433368 $4518 $4899 forward @7 unknown T -
43.902553611942267 34.149999999999999 47.534981229876706 -34.90255361194221 34.149999999999999 47.534981229876706 #
pplist-eye-attrib $-1 -1 $4900 $-1 $4065 #
vertex $4901 -1 -1 $-1 $4072 $4902 #
straight-curve $-1 -1 -1 $-1 -34.90255361194221 9.575000000000002 47.534981229876706 0 -1 0 II #
integer_attrib-name_attrib-gen-attrib $-1 -1 $-1 $4066 $3537 lose lose ignore keep @15 VF_ID_NUM_LOCAL 70 #
integer_attrib-name_attrib-gen-attrib $-1 -1 $-1 $4067 lose lose ignore keep @15 VF_ID_NUM_LOCAL 45 #
point $-1 -1 -1 $-1 -35.543854992528225 19.150000000000002 47.534981229876706 #
integer_attrib-name_attrib-gen-attrib $-1 -1 $-1 $4070 $3540 lose lose ignore keep @15 VF_ID_NUM_LOCAL 54 #

```

```

coedge $-1 -1 -1 $-1 $4071 $4903 $4073 $4532 reversed $4528 $-1 #
loop $4904 -1 -1 $-1 $-1 $4903 $4905 T -43.902553611942267 34.149999999999999 0 38.999999999999972 34.149999999999999
61.154696222063087 unknown #
ptlist-eye-attrib $-1 -1 $4906 $-1 $4072 #
straight-curve $-1 -1 -1 $-1 -53.689449280212941 34.149999999999999 43.024646630870663 0.97236992039767578 0
0.23344536385590517 11 #
coedge $-1 -1 -1 $-1 $4746 $4073 $4907 $4908 forward $4075 $-1 #
edge $4909 -1 -1 $-1 $4077 12.09573158528157 $4910 21.095731585281598 $4527 $4911 forward @7 unknown T
21.827642113708748 34.149999999999999 61.154696222063087 30.827642113708777 34.149999999999999 61.154696222063087 #
coedge $-1 -1 -1 $-1 $4074 $4333 $4320 $4735 forward $4075 $-1 #
integer_attrib-name_attrib-gen-attrib $-1 -1 $-1 $-1 $4075 lose lose ignore keep @15 VF_ID_NUM_LOCAL 60 #
face $4912 -1 -1 $-1 $4913 $4075 $221 $-1 $4914 reversed double in T 21.827642113708748 0 61.154696222063087
35.827642113708805 34.149999999999999 61.154696222063265 F #
integer_attrib-name_attrib-gen-attrib $-1 -1 $-1 $4076 $3543 lose lose ignore keep @15 VF_ID_NUM_LOCAL 69 #
integer_attrib-name_attrib-gen-attrib $-1 -1 $-1 $-1 $4077 lose lose ignore keep @15 VF_ID_NUM_LOCAL 44 #
point $-1 -1 -1 $-1 21.827642113708748 34.149999999999999 61.154696222063087 #
fctd_mark-eye-attrib $-1 -1 $4915 $-1 $4080 #
plane-surface $-1 -1 -1 $-1 35.649999999999999 19.150000000000006 0 0 -1 0 0 0 -1 forward_v IIII #
ptlist-eye-attrib $-1 -1 $4916 $-1 $4083 #
vertex $4917 -1 -1 $-1 $4361 $4918 #
straight-curve $-1 -1 -1 $-1 -9.0833465800063209 2.140000000000006 53.733624414536479 0 -1 0 II #
ptlist-eye-attrib $-1 -1 $4919 $-1 $4084 #
vertex $4920 -1 -1 $-1 $4361 $4921 #
straight-curve $-1 -1 -1 $-1 -3.5995596259547256 2.134999999999998 55.050165181524918 0 1 0 II #
integer_attrib-name_attrib-gen-attrib $-1 -1 $4922 $-1 $4086 copy keep_all ignore copy @7 VF_PAIR 1 #
plane-surface $-1 -1 -1 $-1 0 1.999999999999998 -5 0 1 0 0 0 1 forward_v IIII #
fmesh-eye-attrib $-1 -1 $4923 $4087 $3555 #
string_attrib-name_attrib-gen-attrib $-1 -1 $4924 $4088 $2595 custom custom ignore copy @9 _VF_DATA_ @63
12:ENTITYTYPE=89:VERSION=234:Information=paired edge [layering] #
string_attrib-name_attrib-gen-attrib $-1 -1 $4925 $4089 $3035 custom custom ignore copy @9 _VF_DATA_ @66
13:ENTITYTYPE=169:VERSION=236:Information=paired vertex [layering] #
string_attrib-name_attrib-gen-attrib $-1 -1 $4926 $4090 $3036 custom custom ignore copy @9 _VF_DATA_ @66
13:ENTITYTYPE=169:VERSION=236:Information=paired vertex [layering] #
string_attrib-name_attrib-gen-attrib $-1 -1 $-1 $-1 $4091 custom custom ignore copy @9 _VF_DATA_ @68
12:ENTITYTYPE=29:VERSION=36:Size=317:MaterialLabel=Air11:Potential=2 #
cface $4927 -1 $4928 $3444 $1899 0 #
rgb_color-st-attrib $-1 -1 $-1 $4093 $1422 0.60000002384185791 0.60000002384185791 0.60000002384185791 #
cface $4929 -1 $4930 $3068 $1422 1 #
cface $4931 -1 $-1 $2522 $1422 0 #
integer_attrib-name_attrib-gen-attrib $-1 -1 $4932 $4094 $1842 lose lose ignore keep @15 VF_ID_NUM_LOCAL 85 #
real_attrib-name_attrib-gen-attrib $-1 -1 $4933 $4095 $2227 lose lose lose keep @11 VF_FACEAREA 11.3766849339986 #
string_attrib-name_attrib-gen-attrib $-1 -1 $4934 $4096 $2601 custom custom ignore copy @9 _VF_DATA_ @105
12:ENTITYTYPE=49:VERSION=225:Information=External face13:ElementType=718:BoundaryLabel=tang11:FaceSense=0 #
integer_attrib-name_attrib-gen-attrib $-1 -1 $4935 $4097 $3044 lose lose ignore keep @15 VF_ID_NUM_LOCAL 88 #
integer_attrib-name_attrib-gen-attrib $-1 -1 $4936 $-1 $4099 copy keep_all ignore copy @7 VF_PAIR 8 #
straight-curve $-1 -1 -1 $-1 0 1.799999999999998 0 1 0 0 II #
ptlist-eye-attrib $-1 -1 $4937 $-1 $4100 #
ptlist-eye-attrib $-1 -1 $4938 $-1 $4102 #
coedge $-1 -1 -1 $-1 $4220 $4195 $4429 $4567 forward $3980 $-1 #
edge $4939 -1 -1 $-1 $4454 -8.599999999999996 $4106 8.599999999999996 $4566 $4940 forward @7 unknown T -
8.599999999999996 1.399999999999999 0 8.599999999999996 1.399999999999999 0 #
integer_attrib-name_attrib-gen-attrib $-1 -1 $4941 $4105 $3574 copy keep_all ignore copy @13 VF_PAIR_GROUP 3 #
integer_attrib-name_attrib-gen-attrib $-1 -1 $4942 $-1 $4106 copy keep_all ignore copy @7 VF_PAIR 18 #
point $-1 -1 -1 $-1 8.599999999999996 1.399999999999999 0 #
integer_attrib-name_attrib-gen-attrib $-1 -1 $4943 $-1 $4107 copy keep_all ignore copy @7 VF_PAIR 16 #
point $-1 -1 -1 $-1 1.687868417735416 1.399999999999999 56.319564344979469 #
integer_attrib-name_attrib-gen-attrib $-1 -1 $4944 $4111 $3577 copy keep_all ignore copy @13 VF_PAIR_GROUP 1 #
integer_attrib-name_attrib-gen-attrib $-1 -1 $4945 $4113 $3578 copy keep_all ignore copy @13 VF_PAIR_GROUP 3 #
ptlist-eye-attrib $-1 -1 $4946 $4116 $3051 #
integer_attrib-name_attrib-gen-attrib $-1 -1 $4947 $4117 $3581 copy keep_all ignore copy @13 VF_PAIR_GROUP 1 #
integer_attrib-name_attrib-gen-attrib $-1 -1 $4948 $4119 $3582 copy keep_all ignore copy @13 VF_PAIR_GROUP 0 #
integer_attrib-name_attrib-gen-attrib $-1 -1 $-1 $-1 $4124 lose lose ignore keep @15 VF_ID_NUM_LOCAL 7 #
integer_attrib-name_attrib-gen-attrib $-1 -1 $4949 $4126 $3588 copy keep_all ignore copy @13 VF_PAIR_GROUP 3 #
coedge $-1 -1 -1 $-1 $4452 $4131 $3662 $4197 forward $4581 $-1 #
loop $4950 -1 -1 $-1 $-1 $4452 $4426 T -14.574787690284523 1.399999999999999 -8.599999999999943 1.599999999999999
52.415246047219377 unknown #
integer_attrib-name_attrib-gen-attrib $-1 -1 $4951 $-1 $4132 copy keep_all ignore copy @7 VF_PAIR 13 #
ellipse-curve $-1 -1 -1 $-1 -241.5 1.599999999999999 0 0 1 0 232.9000000000001 0 0 1 II #
integer_attrib-name_attrib-gen-attrib $-1 -1 $4952 $4133 $3593 copy keep_all ignore copy @13 VF_PAIR_GROUP 0 #
integer_attrib-name_attrib-gen-attrib $-1 -1 $4953 $-1 $4134 copy keep_all ignore copy @7 VF_PAIR 13 #
point $-1 -1 -1 $-1 -14.574787690284523 1.599999999999999 52.41524604721937 #
integer_attrib-name_attrib-gen-attrib $-1 -1 $4954 $4137 $3595 copy keep_all ignore copy @13 VF_PAIR_GROUP 2 #

```

```

integer_attr-name_attr-gen-attr $-1 -1 $4955 $-1 $4138 copy keep_all ignore copy @7 VF_PAIR 15 #
point $-1 -1 -1 $-1 -8.599999999999999 1.599999999999999 0 #
integer_attr-name_attr-gen-attr $-1 -1 $4956 $4140 $3597 copy keep_all ignore copy @13 VF_PAIR_GROUP 0 #
string_attr-name_attr-gen-attr $-1 -1 $4957 $4142 $2608 custom custom ignore copy @9 _VF_DATA_ @63
12:ENTITYTYPE=89:VERSION=234:Information=paired edge [layering] #
string_attr-name_attr-gen-attr $-1 -1 $4958 $4143 $3062 custom custom ignore copy @9 _VF_DATA_ @66
13:ENTITYTYPE=169:VERSION=236:Information=paired vertex [layering] #
string_attr-name_attr-gen-attr $-1 -1 $4959 $4144 $3063 custom custom ignore copy @9 _VF_DATA_ @66
13:ENTITYTYPE=169:VERSION=236:Information=paired vertex [layering] #
string_attr-name_attr-gen-attr $-1 -1 $-1 $-1 $4146 custom custom ignore copy @9 _VF_DATA_ @68
12:ENTITYTYPE=29:VERSION=36:Size=117:MaterialLabel=Air11:Potential=2 #
cface $4960 -1 $4961 $3068 $3769 1 #
string_attr-name_attr-gen-attr $-1 -1 $-1 $-1 $4148 custom custom ignore copy @9 _VF_DATA_ @68
12:ENTITYTYPE=29:VERSION=36:Size=117:MaterialLabel=Air11:Potential=2 #
cface $4962 -1 $4556 $3068 $4338 1 #
string_attr-name_attr-gen-attr $-1 -1 $-1 $-1 $4149 $3606 custom custom ignore copy @9 _VF_DATA_ @68
12:ENTITYTYPE=29:VERSION=36:Size=117:MaterialLabel=Air11:Potential=2 #
integer_attr-name_attr-gen-attr $-1 -1 $4963 $-1 $4150 lose lose ignore keep @15 VF_ID_NUM_LOCAL 6 #
cshell $-1 -1 $-1 $4964 $4150 #
string_attr-name_attr-gen-attr $-1 -1 $-1 $-1 $4152 custom custom ignore copy @9 _VF_DATA_ @68
12:ENTITYTYPE=29:VERSION=36:Size=117:MaterialLabel=Air11:Potential=2 #
cface $4965 -1 $4842 $4600 $1809 1 #
cface_ptr-ct-attr $-1 -1 $4966 $4153 $1052 $1399 $1813 #
coedge $-1 -1 -1 $-1 $4161 $4236 $4967 $4884 reversed $3084 $-1 #
coedge $-1 -1 -1 $-1 $4968 $4969 $4883 $4606 reversed $4970 $-1 #
edge $4971 -1 -1 $-1 $4612 -164.68516933834695 $4972 -157.61410152648145 $4883 $4973 forward @7 unknown T
38.99999999999997 29.14999999999963 0 44 34.14999999999999 0 #
coedge $-1 -1 -1 $-1 $4974 $4162 $4975 $4614 reversed $4610 $-1 #
coedge $-1 -1 -1 $-1 $4162 $4974 $4968 $4976 forward $4610 $-1 #
coedge $-1 -1 -1 $-1 $4883 $4977 $3620 $4163 forward $3020 $-1 #
loop $4978 -1 -1 $-1 $-1 $4607 $4913 T 35.827642113708777 0 0 44 29.15000000000002 61.154696222063087 unknown #
plist-eye-attr $-1 -1 $4979 $-1 $4163 #
vertex $4980 -1 -1 $-1 $4606 $4981 #
straight-curve $-1 -1 -1 $-1 44 14.57500000000001 0 0 1 0 II #
edge $4982 -1 -1 $-1 $4748 -0.26569423122201297 $4166 0 $4975 $4983 forward @7 unknown T 35.827642113708805 0 0 44 0
61.154696222063087 #
integer_attr-name_attr-gen-attr $-1 -1 $-1 $4165 $3622 lose lose ignore keep @15 VF_ID_NUM_LOCAL 38 #
integer_attr-name_attr-gen-attr $-1 -1 $-1 $-1 $4166 lose lose ignore keep @15 VF_ID_NUM_LOCAL 31 #
point $-1 -1 -1 $-1 44 0 0 #
edge $4984 -1 -1 $-1 $4621 -2.950000000000002 $4650 2.849999999999996 $4208 $4985 forward @7 unknown T -
2.799999999999998 2.14999999999999 0 3 2.150000000000004 0 #
coedge $-1 -1 -1 $-1 $4757 $4755 $3624 $4170 forward $3840 $-1 #
plist-eye-attr $-1 -1 $4986 $-1 $4170 #
vertex $4987 -1 -1 $-1 $4170 $4988 #
straight-curve $-1 -1 -1 $-1 3 2.134999999999998 0 0 1 0 II #
fmesh-eye-attr $-1 -1 $4989 $4171 $3625 #
integer_attr-name_attr-gen-attr $-1 -1 $-1 $4173 $3628 lose lose ignore keep @15 VF_ID_NUM_LOCAL 27 #
fctd_mark-eye-attr $-1 -1 $4990 $-1 $4176 #
plane-surface $-1 -1 -1 $-1 50 0 -50 0 1 0 0 1 forward_v III #
integer_attr-name_attr-gen-attr $-1 -1 $-1 $4179 $3637 lose lose ignore keep @15 VF_ID_NUM_LOCAL 173 #
integer_attr-name_attr-gen-attr $-1 -1 $4991 $4181 $3641 copy keep_all ignore copy @13 VF_PAIR_GROUP 3 #
integer_attr-name_attr-gen-attr $-1 -1 $-1 $4183 $3642 lose lose ignore keep @15 VF_ID_NUM_LOCAL 39 #
integer_attr-name_attr-gen-attr $-1 -1 $-1 $-1 $4184 lose lose ignore keep @15 VF_ID_NUM_LOCAL 22 #
point $-1 -1 -1 $-1 3 2.120000000000001 0 #
string_attr-name_attr-gen-attr $-1 -1 $4992 $4186 $2251 custom custom ignore copy @9 _VF_DATA_ @89
12:ENTITYTYPE=49:VERSION=225:Information=External face18:BoundaryLabel=tang11:FaceSense=0 #
real_attr-name_attr-gen-attr $-1 -1 $4993 $4187 $2633 lose lose lose keep @11 VF_FACEAREA 1257.0192261164614 #
integer_attr-name_attr-gen-attr $-1 -1 $4994 $4188 $3106 lose lose ignore keep @15 VF_ID_NUM_LOCAL 5 #
fmesh-eye-attr $-1 -1 $4995 $4189 $3651 #
fctd_mark-eye-attr $-1 -1 $4996 $-1 $4190 #
plane-surface $-1 -1 -1 $-1 -35.64999999999999 19.15000000000006 0 0 -1 0 0 -1 forward_v IIII #
string_attr-name_attr-gen-attr $-1 -1 $4997 $4192 $2636 custom custom ignore copy @9 _VF_DATA_ @63
12:ENTITYTYPE=89:VERSION=234:Information=paired edge [layering] #
integer_attr-name_attr-gen-attr $-1 -1 $-1 $4193 $2638 lose lose ignore keep @15 VF_ID_NUM_LOCAL 69 #
integer_attr-name_attr-gen-attr $-1 -1 $-1 $4196 $3659 lose lose ignore keep @15 VF_ID_NUM_LOCAL 136 #
plist-eye-attr $-1 -1 $4998 $-1 $4197 #
integer_attr-name_attr-gen-attr $-1 -1 $-1 $4198 $3664 lose lose ignore keep @15 VF_ID_NUM_LOCAL 180 #
integer_attr-name_attr-gen-attr $-1 -1 $4999 $4200 $3668 copy keep_all ignore copy @13 VF_PAIR_GROUP 2 #
integer_attr-name_attr-gen-attr $-1 -1 $-1 $4202 $3670 lose lose ignore keep @15 VF_ID_NUM_LOCAL 8 #
coedge $-1 -1 -1 $-1 $4360 $4359 $4168 $4618 forward $3272 $-1 #
coedge $-1 -1 -1 $-1 $4288 $4209 $4211 $4652 forward $4648 $-1 #
coedge $-1 -1 -1 $-1 $4209 $4288 $4360 $4765 reversed $4648 $-1 #

```

```

loop $5000 -1 -1 $-1 $-1 $4288 $4752 T -9.0833465800063493 2.129999999999999 0 -2.799999999999999 2.149999999999999
53.733624414536493 unknown #
plist-eye-attrib $-1 -1 $5001 $-1 $4210 #
vertex $5002 -1 -1 $-1 $4210 $5003 #
straight-curve $-1 -1 -1 $-1 -2.800000000000000114 2.139999999999999 0 0 -1 0 II #
edge $5004 -1 -1 $-1 $4213 0 $3772 0.23281288879208556 $4211 $5005 forward @7 unknown T -9.0833465800063493
2.129999999999999 0 -2.799999999999999 2.1300000000000003 53.733624414536493 #
integer_attrib-name_attrib-gen-attrib $-1 -1 $-1 $4212 $3677 lose lose ignore keep @15 VF_ID_NUM_LOCAL 31 #
integer_attrib-name_attrib-gen-attrib $-1 -1 $-1 $4213 lose lose ignore keep @15 VF_ID_NUM_LOCAL 25 #
point $-1 -1 -1 $-1 -2.799999999999999 2.129999999999999 0 #
integer_attrib-name_attrib-gen-attrib $-1 -1 $5006 $4215 $3679 copy keep_all ignore copy @13 VF_PAIR_GROUP 2 #
fmesh-eye-attrib $-1 -1 $5007 $4217 $3681 #
string_attrib-name_attrib-gen-attrib $-1 -1 $5008 $4218 $3132 custom custom ignore copy @9 _VF_DATA_ @66
13:ENTITYTYPE=169:VERSION=236:Information=paired vertex [layering] #
string_attrib-name_attrib-gen-attrib $-1 -1 $5009 $4219 $2264 custom custom ignore copy @9 _VF_DATA_ @89
12:ENTITYTYPE=49:VERSION=225:Information=External face18:BoundaryLabel=tang11:FaceSense=0 #
plist-eye-attrib $-1 -1 $5010 $-1 $4221 #
integer_attrib-name_attrib-gen-attrib $-1 -1 $-1 $4222 $3689 lose lose ignore keep @15 VF_ID_NUM_LOCAL 138 #
integer_attrib-name_attrib-gen-attrib $-1 -1 $5011 $-1 $4223 copy keep_all ignore copy @7 VF_PAIR 22 #
point $-1 -1 -1 $-1 8.599999999999999 1.2 0 #
integer_attrib-name_attrib-gen-attrib $-1 -1 $5012 $4225 $3692 copy keep_all ignore copy @13 VF_PAIR_GROUP 3 #
string_attrib-name_attrib-gen-attrib $-1 -1 $5013 $4227 $3139 custom custom ignore copy @9 _VF_DATA_ @66
13:ENTITYTYPE=169:VERSION=236:Information=paired vertex [layering] #
integer_attrib-name_attrib-gen-attrib $-1 -1 $-1 $4229 $2270 lose lose ignore keep @15 VF_ID_NUM_LOCAL 164 #
integer_attrib-name_attrib-gen-attrib $-1 -1 $5014 $4230 $3145 lose lose ignore keep @15 VF_ID_NUM_LOCAL 1 #
integer_attrib-name_attrib-gen-attrib $-1 -1 $-1 $4232 lose lose ignore keep @15 VF_ID_NUM_LOCAL 93 #
coedge $-1 -1 -1 $-1 $5015 $5016 $4058 $4510 reversed $5017 $-1 #
coedge $-1 -1 -1 $-1 $4891 $4237 $5016 $5018 forward $4672 $-1 #
coedge $-1 -1 -1 $-1 $4237 $4891 $4685 $4673 reversed $4672 $-1 #
loop $5019 -1 -1 $-1 $4670 $5020 T -48.902553611942238 0 0 -43.99999999999997 29.150000000000041 47.534981229876763
unknown #
edge $5021 -1 -1 $-1 $4240 0 $4694 0.20554466681645578 $4685 $5022 forward @7 unknown T -48.90255361194221 0 0 -
43.99999999999997 0 47.534981229876706 #
integer_attrib-name_attrib-gen-attrib $-1 -1 $-1 $4239 $3707 lose lose ignore keep @15 VF_ID_NUM_LOCAL 32 #
integer_attrib-name_attrib-gen-attrib $-1 -1 $-1 $4240 lose lose ignore keep @15 VF_ID_NUM_LOCAL 26 #
point $-1 -1 -1 $-1 -43.99999999999997 0 0 #
integer_attrib-name_attrib-gen-attrib $-1 -1 $-1 $4242 $3710 lose lose ignore keep @15 VF_ID_NUM_LOCAL 20 #
rgb_color-st-attrib $-1 -1 $-1 $4245 $1463 0.60000002384185791 0.60000002384185791 0.60000002384185791 #
cface $5023 -1 $4152 $4600 $1463 1 #
fctd_mark-eye-attrib $-1 -1 $5024 $-1 $4248 #
plane-surface $-1 -1 -1 $-1 -58.901276805971094 30 47.534981229876706 0 0 1 1 0 0 forward_v IIII #
coedge $-1 -1 -1 $-1 $4249 $4304 $4686 $4691 forward $3215 $-1 #
plist-eye-attrib $-1 -1 $5025 $-1 $4250 #
straight-curve $-1 -1 -1 $-1 -16.161808061776561 0 93.170843912405005 0.97236992039767589 0 0.2334453638559052 II #
coedge $-1 -1 -1 $-1 $4252 $4507 $4238 $4673 forward $4254 $-1 #
coedge $-1 -1 -1 $-1 $4308 $4253 $4682 $4691 reversed $3779 $-1 #
integer_attrib-name_attrib-gen-attrib $-1 -1 $-1 $4254 lose lose ignore keep @15 VF_ID_NUM_LOCAL 65 #
face $5026 -1 -1 $-1 $5027 $4254 $221 $-1 $5028 reversed single T -80 0 0 80 0 160 F #
integer_attrib-name_attrib-gen-attrib $-1 -1 $-1 $4255 $3728 lose lose ignore keep @15 VF_ID_NUM_LOCAL 89 #
integer_attrib-name_attrib-gen-attrib $-1 -1 $-1 $4256 lose lose ignore keep @15 VF_ID_NUM_LOCAL 57 #
edge $5029 -1 -1 $-1 $4725 -9.57500000000000011 $4256 9.57500000000000011 $4686 $5030 forward @7 unknown T -
44.846720713507999 0 86.284205678655809 -44.846720713507999 19.150000000000002 86.284205678655809 #
point $-1 -1 -1 $-1 -44.846720713507999 0 86.284205678655809 #
plist-eye-attrib $-1 -1 $5031 $-1 $4258 #
vertex $5032 -1 -1 $-1 $4258 $5033 #
straight-curve $-1 -1 -1 $-1 -30.900638402985578 0 47.534981229876706 1 0 0 II #
fctd_mark-eye-attrib $-1 -1 $5034 $-1 $4260 #
plane-surface $-1 -1 -1 $-1 -50 0 -50 0 1 0 0 1 reverse_v IIII #
plist-eye-attrib $-1 -1 $5035 $-1 $4265 #
integer_attrib-name_attrib-gen-attrib $-1 -1 $-1 $4266 $3735 lose lose ignore keep @15 VF_ID_NUM_LOCAL 147 #
integer_attrib-name_attrib-gen-attrib $-1 -1 $5036 $-1 $4267 copy keep_all ignore copy @7 VF_PAIR 17 #
point $-1 -1 -1 $-1 -14.574787690284523 1.399999999999999 52.41524604721937 #
integer_attrib-name_attrib-gen-attrib $-1 -1 $5037 $4270 $3739 copy keep_all ignore copy @13 VF_PAIR_GROUP 1 #
string_attrib-name_attrib-gen-attrib $-1 -1 $5038 $4272 $3179 custom custom ignore copy @9 _VF_DATA_ @66
13:ENTITYTYPE=169:VERSION=236:Information=paired vertex [layering] #
integer_attrib-name_attrib-gen-attrib $-1 -1 $-1 $4273 $2687 lose lose ignore keep @15 VF_ID_NUM_LOCAL 75 #
integer_attrib-name_attrib-gen-attrib $-1 -1 $-1 $4276 $3746 lose lose ignore keep @15 VF_ID_NUM_LOCAL 179 #
integer_attrib-name_attrib-gen-attrib $-1 -1 $5039 $4278 $3750 copy keep_all ignore copy @13 VF_PAIR_GROUP 1 #
fmesh-eye-attrib $-1 -1 $5040 $4280 $3752 #
integer_attrib-name_attrib-gen-attrib $-1 -1 $-1 $4281 $3756 lose lose ignore keep @15 VF_ID_NUM_LOCAL 22 #
fctd_mark-eye-attrib $-1 -1 $5041 $-1 $4285 #
plane-surface $-1 -1 -1 $-1 -5.699999999999999 2.129999999999999 -5 0 -1 0 0 -1 forward_v IIII #

```

```

integer_attr-name_attr-gen-attr $-1 -1 $5042 $4289 $3204 lose lose ignore keep @15 VF_ID_NUM_LOCAL 10 #
fmesh-eye-attr $-1 -1 $5043 $4290 $3769 #
cface_ptr-ct-attr $-1 -1 $5044 $4295 $1899 $4964 $4554 #
real_attr-name_attr-gen-attr $-1 -1 $5045 $4296 $2302 lose lose lose keep @11 VF_FACEAREA 2359.953462708504 #
string_attr-name_attr-gen-attr $-1 -1 $5046 $4297 $2706 custom custom ignore copy @9 _VF_DATA_ @68
12:ENTITYTYPE=49:VERSION=225:Information=Internal face11:FaceSense=0 #
integer_attr-name_attr-gen-attr $-1 -1 $5047 $4298 $3214 lose lose ignore keep @15 VF_ID_NUM_LOCAL 48 #
fmesh-eye-attr $-1 -1 $5048 $4299 $3778 #
integer_attr-name_attr-gen-attr $-1 -1 $-1 $-1 $4300 lose lose ignore keep @15 VF_ID_NUM_LOCAL 51 #
edge $5049 -1 -1 $-1 $4722 -29.5 $4725 29.5 $4307 $5050 forward @7 unknown T -44.846720713508006 19.150000000000002
86.284205678655795 12.52310458995488 19.150000000000002 100.05748214615421 #
coedge $-1 -1 -1 $-1 $4305 $4328 $4319 $4734 reversed $4300 $-1 #
plist-eye-attr $-1 -1 $5051 $-1 $4306 #
vertex $5052 -1 -1 $-1 $4306 $5053 #
straight-curve $-1 -1 -1 $-1 12.523104589954876 9.575000000000001 100.0574821461542 0 1 0 1 1 #
plist-eye-attr $-1 -1 $5054 $-1 $4309 #
vertex $5055 -1 -1 $-1 $4719 $5056 #
straight-curve $-1 -1 -1 $-1 -40.061090754461944 19.150000000000002 66.350622310503439 0.2334453638559052 0 -
0.97236992039767589 1 1 #
integer_attr-name_attr-gen-attr $-1 -1 $-1 $4310 $3786 lose lose ignore keep @15 VF_ID_NUM_LOCAL 149 #
integer_attr-name_attr-gen-attr $-1 -1 $5057 $-1 $4311 copy keep_all ignore copy @7 VF_PAIR 20 #
ellipse-curve $-1 -1 -1 $-1 -224.30000000000001 1.2000000000000002 0 0 -1 0 232.90000000000001 0 0 1 1 1 #
integer_attr-name_attr-gen-attr $-1 -1 $5058 $4313 $3789 copy keep_all ignore copy @13 VF_PAIR_GROUP 0 #
string_attr-name_attr-gen-attr $-1 -1 $5059 $4315 $3226 custom custom ignore copy @9 _VF_DATA_ @66
13:ENTITYTYPE=169:VERSION=236:Information=paired vertex [layering] #
plist-eye-attr $-1 -1 $5060 $4316 $3227 #
integer_attr-name_attr-gen-attr $-1 -1 $-1 $4317 $2715 lose lose ignore keep @15 VF_ID_NUM_LOCAL 76 #
edge $5061 -1 -1 $-1 $4722 -20.499999999999986 $4326 19.508216120240359 $4720 $5062 forward @7 unknown T
12.523104589954876 19.150000000000002 61.15469622206308 21.862837159370077 19.150000000000002 100.0574821461542 #
edge $5063 -1 -1 $-1 $3614 -19.787500000000001 $4326 -0.6374999999999929 $4328 $5064 forward @7 unknown T
21.862837159370077 0 61.15469622206308 21.862837159370077 19.150000000000002 61.15469622206308 #
fctd_mark-eye-attr $-1 -1 $5065 $-1 $4322 #
plane-surface $-1 -1 -1 $-1 44.463821056854357 30 61.154696222063087 0 0 1 1 0 0 forward_v I I I I #
fmesh-eye-attr $-1 -1 $5066 $4323 $3802 #
integer_attr-name_attr-gen-attr $-1 -1 $-1 $4325 $3805 lose lose ignore keep @15 VF_ID_NUM_LOCAL 97 #
integer_attr-name_attr-gen-attr $-1 -1 $-1 $4326 lose lose ignore keep @15 VF_ID_NUM_LOCAL 60 #
point $-1 -1 -1 $-1 21.862837159370077 19.150000000000002 61.154696222063087 #
coedge $-1 -1 -1 $-1 $4975 $4329 $3809 $4334 forward $4254 $-1 #
integer_attr-name_attr-gen-attr $-1 -1 $-1 $4330 $3808 lose lose ignore keep @15 VF_ID_NUM_LOCAL 88 #
integer_attr-name_attr-gen-attr $-1 -1 $-1 $4331 lose lose ignore keep @15 VF_ID_NUM_LOCAL 56 #
point $-1 -1 -1 $-1 12.523104589954876 0 100.0574821461542 #
coedge $-1 -1 -1 $-1 $4333 $4531 $4974 $5067 forward $4075 $-1 #
plist-eye-attr $-1 -1 $5068 $-1 $4334 #
vertex $5069 -1 -1 $-1 $4334 $5070 #
straight-curve $-1 -1 -1 $-1 20.781910528427147 0 61.154696222063095 1 0 0 1 1 #
integer_attr-name_attr-gen-attr $-1 -1 $-1 $4335 $3810 lose lose ignore keep @15 VF_ID_NUM_LOCAL 26 #
fctd_mark-eye-attr $-1 -1 $5071 $-1 $4338 #
face $5072 -1 -1 $-1 $4285 $4648 $221 $-1 $5073 forward double in T -9.0833465800063493 2.129999999999999 0 -
2.799999999999994 2.149999999999999 53.733624414536493 F #
integer_attr-name_attr-gen-attr $-1 -1 $5074 $4340 $3818 copy keep_all ignore copy @13 VF_PAIR_GROUP 3 #
fmesh-eye-attr $-1 -1 $5075 $4342 $3820 #
coedge $-1 -1 -1 $-1 $4619 $4347 $4343 $4756 forward $3840 $-1 #
edge $5076 -1 -1 $-1 $3833 -0.23862647841812534 $4184 0 $4343 $5077 forward @7 unknown T -3.599559625954754
2.119999999999997 0 3 2.120000000000001 55.050165181524932 #
coedge $-1 -1 -1 $-1 $4347 $4619 $4359 $4764 forward $3840 $-1 #
integer_attr-name_attr-gen-attr $-1 -1 $5078 $4348 $3261 lose lose ignore keep @15 VF_ID_NUM_LOCAL 15 #
cface_ptr-ct-attr $-1 -1 $5079 $4352 $1908 $3605 $5080 #
real_attr-name_attr-gen-attr $-1 -1 $5081 $4353 $2316 lose lose lose keep @11 VF_FACEAREA 350.71819908101514 #
string_attr-name_attr-gen-attr $-1 -1 $5082 $4354 $2738 custom custom ignore copy @9 _VF_DATA_ @68
12:ENTITYTYPE=49:VERSION=225:Information=Internal face11:FaceSense=1 #
integer_attr-name_attr-gen-attr $-1 -1 $5083 $4355 $3271 lose lose ignore keep @15 VF_ID_NUM_LOCAL 19 #
fmesh-eye-attr $-1 -1 $5084 $4356 $3839 #
edge $5085 -1 -1 $-1 $4621 0 $4545 0.23862647841812534 $4757 $5086 forward @7 unknown T -3.599559625954754
2.149999999999995 0 3 2.149999999999999 55.050165181524932 #
edge $5087 -1 -1 $-1 $4650 0 $4542 0.23281288879208556 $4360 $5088 forward @7 unknown T -9.0833465800063493
2.149999999999995 0 -2.799999999999998 2.149999999999999 53.733624414536493 #
plist-eye-attr $-1 -1 $5089 $-1 $4361 #
straight-curve $-1 -1 -1 $-1 -42.390871465605372 2.149999999999986 45.737195171971777 -0.97236992039767645 0 -
0.23344536385590534 1 1 #
real_attr-name_attr-gen-attr $-1 -1 $5090 $4362 $2742 lose lose lose keep @11 VF_FACEAREA 2359.9534627085045 #
string_attr-name_attr-gen-attr $-1 -1 $5091 $4364 $0 keep keep_kept ignore copy @14 VF_COLOUR_DATA @55
8:NAME=1779:VERSION=214:List=Condition14:Label=TANGMAGN #

```

```

string_attrib-name_attrib-gen-attrb $-1 -1 $-1 $-1 $4366 custom custom ignore copy @9_VF_DATA_ @89
12:ENTITYTYPE=29:VERSION=36:Size=319:MaterialLabel=ferro11:Potential=516:VolumeLabel=pack #
rgb_color-st-attrb $-1 -1 $5092 $4367 $3285 0.54901963472366333 0.90196079015731812 0.019607843831181526 #
string_attrib-name_attrib-gen-attrb $-1 -1 $5093 $4368 $2765 custom custom ignore copy @9_VF_DATA_ @68
12:ENTITYTYPE=49:VERSION=225:Information=External face11:FaceSense=0 #
rgb_color-st-attrb $-1 -1 $5094 $4369 $3287 0.54901963472366333 0.90196079015731812 0.019607843831181526 #
cface_ptr-ct-attrb $-1 -1 $-1 $4370 $2359 $-1 $1980 #
cface_ptr-ct-attrb $-1 -1 $-1 $4380 $2371 $-1 $1998 #
cface_ptr-ct-attrb $-1 -1 $5095 $4384 $2803 $-1 $4366 #
cface_ptr-ct-attrb $-1 -1 $-1 $4396 $2436 $-1 $3848 #
cface_ptr-ct-attrb $-1 -1 $-1 $4401 $2475 $-1 $4780 #
string_attrib-name_attrib-gen-attrb $-1 -1 $-1 $-1 $4407 custom custom ignore copy @9_VF_DATA_ @68
12:ENTITYTYPE=29:VERSION=36:Size=617:MaterialLabel=Air11:Potential=5 #
cface $5096 -1 $3925 $366 $2475 0 #
string_attrib-name_attrib-gen-attrb $-1 -1 $5097 $4408 $40 keep keep_kept ignore copy @14_VF_COLOUR_DATA @54
8:NAME=1739:VERSION=214:List=Potential13:Label=Reduced #
string_attrib-name_attrib-gen-attrb $-1 -1 $-1 $4410 $3955 custom custom ignore copy @9_VF_DATA_ @86
12:ENTITYTYPE=29:VERSION=38:Size=0.517:MaterialLabel=Air11:Potential=213:ElementType=7 #
integer_attrib-name_attrib-gen-attrb $-1 -1 $5098 $-1 $4411 lose lose ignore keep @15_VF_ID_NUM_LOCAL 4 #
cshell $-1 -1 $-1 $5099 $4411 #
cface $5100 -1 $5101 $4412 $4086 1 #
string_attrib-name_attrib-gen-attrb $-1 -1 $-1 $-1 $4413 custom custom ignore copy @9_VF_DATA_ @68
12:ENTITYTYPE=29:VERSION=36:Size=617:MaterialLabel=Air11:Potential=5 #
cface $5102 -1 $5103 $3956 $1835 0 #
string_attrib-name_attrib-gen-attrb $-1 -1 $-1 $-1 $4415 custom custom ignore copy @9_VF_DATA_ @86
12:ENTITYTYPE=29:VERSION=38:Size=0.517:MaterialLabel=Air11:Potential=213:ElementType=7 #
cface $5104 -1 $5105 $2945 $4285 0 #
string_attrib-name_attrib-gen-attrb $-1 -1 $-1 $-1 $4417 custom custom ignore copy @9_VF_DATA_ @86
12:ENTITYTYPE=29:VERSION=38:Size=0.517:MaterialLabel=Air11:Potential=213:ElementType=7 #
cface $5106 -1 $4557 $2522 $3597 0 #
fmesh-eye-attrb $-1 -1 $5107 $4418 $3961 #
integer_attrib-name_attrib-gen-attrb $-1 -1 $5108 $4419 $3448 lose lose ignore keep @15_VF_ID_NUM_LOCAL 92 #
fmesh-eye-attrb $-1 -1 $5109 $4420 $3963 #
string_attrib-name_attrib-gen-attrb $-1 -1 $-1 $-1 $4423 custom custom ignore copy @9_VF_DATA_ @86
12:ENTITYTYPE=29:VERSION=38:Size=0.517:MaterialLabel=Air11:Potential=213:ElementType=7 #
cface $5110 -1 $-1 $2162 $4426 0 #
integer_attrib-name_attrib-gen-attrb $-1 -1 $5111 $4424 $3451 lose lose ignore keep @15_VF_ID_NUM_LOCAL 77 #
fmesh-eye-attrb $-1 -1 $5112 $4425 $3968 #
fctd_mark-eye-attrb $-1 -1 $5113 $-1 $4426 #
integer_attrib-name_attrib-gen-attrb $-1 -1 $-1 $-1 $4427 lose lose ignore keep @15_VF_ID_NUM_LOCAL 22 #
string_attrib-name_attrib-gen-attrb $-1 -1 $-1 $-1 $4431 custom custom ignore copy @9_VF_DATA_ @86
12:ENTITYTYPE=29:VERSION=38:Size=0.517:MaterialLabel=Air11:Potential=213:ElementType=7 #
fctd_mark-eye-attrb $-1 -1 $5114 $4432 $3454 #
real_attrib-name_attrib-gen-attrb $-1 -1 $5115 $4434 $2526 lose lose lose keep @11_VF_FACEAREA 11.376684933998627 #
integer_attrib-name_attrib-gen-attrb $-1 -1 $5116 $4436 $3460 lose lose ignore keep @15_VF_ID_NUM_LOCAL 71 #
real_attrib-name_attrib-gen-attrb $-1 -1 $5117 $4439 $2529 lose lose lose keep @11_VF_FACEAREA 3.3449525261679902 #
integer_attrib-name_attrib-gen-attrb $-1 -1 $5118 $4441 $3985 copy keep_all ignore copy @13_VF_PAIR_GROUP 0 #
rgb_color-st-attrb $-1 -1 $5119 $4443 $2166 0.60000002384185791 0.60000002384185791 0.60000002384185791 #
string_attrib-name_attrib-gen-attrb $-1 -1 $5120 $4444 $2531 custom custom ignore copy @9_VF_DATA_ @105
12:ENTITYTYPE=49:VERSION=225:Information=Internal face34:Information=paired face [layering]11:FaceSense=1 #
string_attrib-name_attrib-gen-attrb $-1 -1 $5121 $4445 $2959 custom custom ignore copy @9_VF_DATA_ @68
12:ENTITYTYPE=49:VERSION=225:Information=Internal face11:FaceSense=0 #
integer_attrib-name_attrib-gen-attrb $-1 -1 $5122 $-1 $4448 copy keep_all ignore copy @7_VF_PAIR 17 #
ellipse-curve $-1 -1 $-1 -241.5 1.3999999999999999 0 0 1 0 232.90000000000001 0 0 1 11 #
integer_attrib-name_attrib-gen-attrb $-1 -1 $5123 $4450 $3993 copy keep_all ignore copy @13_VF_PAIR_GROUP 0 #
integer_attrib-name_attrib-gen-attrb $-1 -1 $-1 $4453 $3995 lose lose ignore keep @15_VF_ID_NUM_LOCAL 144 #
integer_attrib-name_attrib-gen-attrb $-1 -1 $5124 $-1 $4454 copy keep_all ignore copy @7_VF_PAIR 19 #
point $-1 -1 $-1 -8.599999999999999 1.3999999999999999 0 #
integer_attrib-name_attrib-gen-attrb $-1 -1 $5125 $-1 $4455 copy keep_all ignore copy @7_VF_PAIR 23 #
straight-curve $-1 -1 $-1 0 1.2000000000000002 0 1 0 0 11 #
pllist-eye-attrb $-1 -1 $5126 $4456 $3473 #
integer_attrib-name_attrib-gen-attrb $-1 -1 $5127 $4457 $3999 copy keep_all ignore copy @13_VF_PAIR_GROUP 2 #
cface_ptr-ct-attrb $-1 -1 $-1 $4459 $1798 $5128 $1394 #
rgb_color-st-attrb $-1 -1 $-1 $4460 $1801 0.60000002384185791 0.60000002384185791 0.60000002384185791 #
string_attrib-name_attrib-gen-attrb $-1 -1 $5129 $4461 $2973 custom custom ignore copy @9_VF_DATA_ @63
12:ENTITYTYPE=89:VERSION=234:Information=paired edge [layering] #
cface $5130 -1 $5131 $4600 $1397 1 #
real_attrib-name_attrib-gen-attrb $-1 -1 $5132 $4463 $1803 lose lose lose keep @11_VF_FACEAREA 935.14253265242542 #
cface_ptr-ct-attrb $-1 -1 $5133 $4464 $2177 $-1 $2525 #
real_attrib-name_attrib-gen-attrb $-1 -1 $5134 $4465 $2546 lose lose lose keep @11_VF_FACEAREA 11.376684933998627 #
string_attrib-name_attrib-gen-attrb $-1 -1 $5135 $4466 $2978 custom custom ignore copy @9_VF_DATA_ @68
12:ENTITYTYPE=49:VERSION=225:Information=Internal face11:FaceSense=1 #

```

```

integer_attrib-name_attrib-gen-attrb $-1 -1 $5136 $4467 $3487 lose lose ignore keep @15 VF_ID_NUM_LOCAL 69 #
plist-eye-attrb $-1 -1 $5137 $4468 $3493 #
plist-eye-attrb $-1 -1 $5138 $4469 $3494 #
plist-eye-attrb $-1 -1 $5139 $4470 $3495 #
string_attrib-name_attrib-gen-attrb $-1 -1 $5140 $4471 $2985 custom custom ignore copy @9 _VF_DATA_ @63
12:ENTITYTYPE=89:VERSION=234:Information=paired edge [layering] #
string_attrib-name_attrib-gen-attrb $-1 -1 $5141 $4472 $3502 custom custom ignore copy @9 _VF_DATA_ @66
13:ENTITYTYPE=169:VERSION=236:Information=paired vertex [layering] #
plist-eye-attrb $-1 -1 $5142 $4473 $3503 #
integer_attrib-name_attrib-gen-attrb $-1 -1 $-1 $4474 $2553 lose lose ignore keep @15 VF_ID_NUM_LOCAL 126 #
integer_attrib-name_attrib-gen-attrb $-1 -1 $-1 $4475 $2990 lose lose ignore keep @15 VF_ID_NUM_LOCAL 73 #
cface_ptr-ct-attrb $-1 -1 $-1 $4477 $1809 $4602 $2190 #
cface_ptr-ct-attrb $-1 -1 $5143 $4478 $1405 $1036 $2965 #
rgb_color-st-attrb $-1 -1 $-1 $4479 $1815 0.60000002384185791 0.60000002384185791 0.60000002384185791 #
string_attrib-name_attrib-gen-attrb $-1 -1 $-1 $-1 $4482 custom custom ignore copy @9 _VF_DATA_ @68
12:ENTITYTYPE=29:VERSION=36:Size=317:MaterialLabel=Air11:Potential=2 #
cface $5144 -1 $5145 $3444 $2978 0 #
cface $5146 -1 $4823 $4600 $1410 1 #
real_attrib-name_attrib-gen-attrb $-1 -1 $5147 $4484 $1823 lose lose lose keep @11 VF_FACEAREA 935.14253265242542 #
cface_ptr-ct-attrb $-1 -1 $5148 $4485 $2201 $-1 $2172 #
integer_attrib-name_attrib-gen-attrb $-1 -1 $-1 $4486 $2577 lose lose ignore keep @15 VF_ID_NUM_LOCAL 118 #
integer_attrib-name_attrib-gen-attrb $-1 -1 $-1 $4488 $2581 lose lose ignore keep @15 VF_ID_NUM_LOCAL 119 #
rgb_color-st-attrb $-1 -1 $5149 $4489 $1043 0.60000002384185791 0.60000002384185791 0.60000002384185791 #
cface $5150 -1 $5151 $2945 $1417 1 #
cface $5152 -1 $5153 $3444 $1417 0 #
rgb_color-st-attrb $-1 -1 $-1 $4491 $1835 0.60000002384185791 0.60000002384185791 0.60000002384185791 #
cface $5154 -1 $5155 $4784 $1835 1 #
cface_ptr-ct-attrb $-1 -1 $5156 $4492 $2218 $5157 $5158 #
rgb_color-st-attrb $-1 -1 $5159 $4493 $2587 0.60000002384185791 0.60000002384185791 0.60000002384185791 #
real_attrib-name_attrib-gen-attrb $-1 -1 $5160 $4494 $3019 lose lose keep @11 VF_FACEAREA 12800 #
integer_attrib-name_attrib-gen-attrb $-1 -1 $5161 $4495 $3529 lose lose ignore keep @15 VF_ID_NUM_LOCAL 32 #
fmesh-eye-attrb $-1 -1 $5162 $4496 $4052 #
fctd_mark-eye-attrb $-1 -1 $5163 $-1 $4497 #
loop $5164 -1 -1 $-1 $-1 $4871 $4497 T 80 0 0 80 80 160 unknown #
plane-surface $-1 -1 $-1 80 40 80 -1 0 0 0 1 forward_v IIII #
integer_attrib-name_attrib-gen-attrb $-1 -1 $-1 $4498 lose lose ignore keep @15 VF_ID_NUM_LOCAL 67 #
coedge $-1 -1 -1 $5165 $4867 $4872 $5166 forward $4498 $-1 #
coedge $-1 -1 -1 $5167 $4501 $4506 $4878 reversed $4053 $-1 #
coedge $-1 -1 -1 $4501 $5167 $4866 $5168 reversed $4053 $-1 #
coedge $-1 -1 -1 $4867 $5165 $4501 $4865 reversed $4498 $-1 #
edge $5169 -1 -1 $-1 $5170 -80 $5171 80 $4864 $5172 forward @7 unknown T -80 80 0 -80 80 160 #
coedge $-1 -1 -1 $4503 $4502 $4863 $5168 forward $3530 $-1 #
coedge $-1 -1 -1 $4861 $4864 $4502 $4868 reversed $4498 $-1 #
edge $5173 -1 -1 $-1 $4875 -80 $5170 80 $4867 $5174 forward @7 unknown T -80 80 160 80 80 160 #
coedge $-1 -1 -1 $4879 $5175 $4503 $4870 reversed $4254 $-1 #
edge $5176 -1 -1 $-1 $5177 -80 $4874 80 $4869 $5178 forward @7 unknown T -80 0 160 80 0 160 #
coedge $-1 -1 -1 $5179 $4504 $5175 $5180 forward $4858 $-1 #
coedge $-1 -1 -1 $4504 $5179 $4861 $5166 reversed $4858 $-1 #
plist-eye-attrb $-1 -1 $5181 $-1 $4505 #
vertex $5182 -1 -1 $-1 $4505 $5183 #
vertex $5184 -1 -1 $-1 $4505 $5185 #
straight-curve $-1 -1 -1 $-1 80 40 160 0 1 0 11 #
coedge $-1 -1 -1 $5186 $4506 $5165 $5187 forward $3020 $-1 #
edge $5188 -1 -1 $-1 $4881 -40 $5171 40 $4862 $5189 forward @7 unknown T -80 0 0 -80 80 0 #
coedge $-1 -1 -1 $4507 $4869 $5167 $5190 forward $4254 $-1 #
plist-eye-attrb $-1 -1 $5191 $-1 $4508 #
vertex $5192 -1 -1 $-1 $4878 $5193 #
straight-curve $-1 -1 -1 $-1 0 0 0 -1 0 0 11 #
coedge $-1 -1 -1 $4509 $4609 $4161 $4606 forward $3020 $-1 #
edge $5194 -1 -1 $-1 $4972 -51.499999999999972 $4886 26.5 $4509 $5195 forward @7 unknown T -39 34.149999999999999 0
38.999999999999972 34.149999999999999 0 #
plist-eye-attrb $-1 -1 $5196 $-1 $4510 #
vertex $5197 -1 -1 $-1 $4510 $5198 #
straight-curve $-1 -1 -1 $-1 -155.44999999999999 -82.299999999999969 0 -0.70710678118654757 -0.70710678118654757 0 11 #
integer_attrib-name_attrib-gen-attrb $-1 -1 $-1 $4511 $4059 lose lose ignore keep @15 VF_ID_NUM_LOCAL 33 #
integer_attrib-name_attrib-gen-attrb $-1 -1 $-1 $4512 lose lose ignore keep @15 VF_ID_NUM_LOCAL 27 #
point $-1 -1 -1 $-1 -44 29.150000000000002 0 #
coedge $-1 -1 -1 $4671 $4670 $4514 $4892 reversed $4672 $-1 #
edge $5199 -1 -1 $-1 $4694 -14.575000000000019 $5200 14.575000000000022 $4891 $5201 forward @7 unknown T -
48.902553611942238 0 47.534981229876706 -48.90255361194221 29.150000000000041 47.534981229876706 #
integer_attrib-name_attrib-gen-attrb $-1 -1 $-1 $4515 $4062 lose lose ignore keep @15 VF_ID_NUM_LOCAL 71 #
coedge $-1 -1 -1 $5016 $5015 $4517 $4895 reversed $5017 $-1 #

```

```

edge $5202 -1 -1 $-1 $5200 154.1474726223465 $4898 161.21854043421195 $4894 $5203 forward @7 unknown T -
48.902553611942238 29.150000000000041 47.534981229876706 -43.902553611942238 34.150000000000034 47.534981229876706 #
coedge $-1 -1 -1 $-1 $4967 $4518 $5015 $5204 forward $4528 $-1 #
ptlist-eye-attrib $-1 -1 $5205 $-1 $4519 #
vertex $5206 -1 -1 $-1 $5204 $5207 #
straight-curve $-1 -1 -1 $-1 -41.950638402985547 34.149999999999999 47.534981229876706 1 0 0 I I #
integer_attrib-name_attrib-gen-attrib $-1 -1 $-1 $4520 $4065 lose lose ignore keep @15 VF_ID_NUM_LOCAL 67 #
integer_attrib-name_attrib-gen-attrib $-1 -1 $-1 $4521 lose lose ignore keep @15 VF_ID_NUM_LOCAL 43 #
point $-1 -1 -1 $-1 -34.90255361194221 34.149999999999999 47.534981229876706 #
coedge $-1 -1 -1 $-1 $4527 $4967 $4969 $5208 reversed $4528 $-1 #
integer_attrib-name_attrib-gen-attrib $-1 -1 $-1 $4528 lose lose ignore keep @15 VF_ID_NUM_LOCAL 63 #
face $5209 -1 -1 $-1 $5210 $4528 $221 $-1 $5211 reversed double in T -43.902553611942267 34.149999999999999 38.999999999999972 29.149999999999999 61.154696222063087 F #
integer_attrib-name_attrib-gen-attrib $-1 -1 $-1 $4529 $4072 lose lose ignore keep @15 VF_ID_NUM_LOCAL 68 #
coedge $-1 -1 -1 $-1 $4969 $4968 $4531 $4908 reversed $4970 $-1 #
edge $5212 -1 -1 $-1 $4910 151.83537184680159 $5213 158.90643965866707 $4907 $5214 forward @7 unknown T
30.827642113708777 29.149999999999997 61.154696222063087 35.827642113708791 34.149999999999999 61.154696222063095 #
ptlist-eye-attrib $-1 -1 $5215 $-1 $4532 #
vertex $5216 -1 -1 $-1 $5208 $5217 #
straight-curve $-1 -1 -1 $-1 9.7319105284271785 34.149999999999999 61.154696222063087 1 0 0 I I #
fctd_mark-eye-attrib $-1 -1 $5218 $-1 $4535 #
face $5219 -1 -1 $-1 $4248 $4610 $221 $-1 $5220 reversed double in T 35.827642113708777 0 0 44 29.15000000000002
61.154696222063087 F #
plane-surface $-1 -1 -1 $-1 44.463821056854357 30 61.154696222063087 0 0 1 1 0 0 forward_v I I I I #
fmesh-eye-attrib $-1 -1 $5221 $4539 $4080 #
integer_attrib-name_attrib-gen-attrib $-1 -1 $-1 $4541 $4083 lose lose ignore keep @15 VF_ID_NUM_LOCAL 58 #
integer_attrib-name_attrib-gen-attrib $-1 -1 $-1 $4542 lose lose ignore keep @15 VF_ID_NUM_LOCAL 41 #
point $-1 -1 -1 $-1 -9.0833465800063209 2.149999999999999 53.733624414536493 #
integer_attrib-name_attrib-gen-attrib $-1 -1 $-1 $4544 $4084 lose lose ignore keep @15 VF_ID_NUM_LOCAL 56 #
integer_attrib-name_attrib-gen-attrib $-1 -1 $-1 $4545 lose lose ignore keep @15 VF_ID_NUM_LOCAL 40 #
point $-1 -1 -1 $-1 -3.5995596259547256 2.149999999999999 55.050165181524932 #
integer_attrib-name_attrib-gen-attrib $-1 -1 $5222 $4547 $4086 copy keep_all ignore copy @13 VF_PAIR_GROUP 0 #
integer_attrib-name_attrib-gen-attrib $-1 -1 $5223 $4549 $3555 lose lose ignore keep @15 VF_ID_NUM_LOCAL 89 #
integer_attrib-name_attrib-gen-attrib $-1 -1 $-1 $4550 $2595 lose lose ignore keep @15 VF_ID_NUM_LOCAL 176 #
integer_attrib-name_attrib-gen-attrib $-1 -1 $-1 $4551 $3035 lose lose ignore keep @15 VF_ID_NUM_LOCAL 101 #
integer_attrib-name_attrib-gen-attrib $-1 -1 $-1 $4552 $3036 lose lose ignore keep @15 VF_ID_NUM_LOCAL 102 #
string_attrib-name_attrib-gen-attrib $-1 -1 $-1 $4554 custom custom ignore copy @9 _VF_DATA_ @68
12:ENTITYTYPE=29:VERSION=36:Size=317:MaterialLabel=Air11:Potential=2 #
cface $5224 -1 $5225 $3444 $2302 0 #
string_attrib-name_attrib-gen-attrib $-1 -1 $-1 $4556 custom custom ignore copy @9 _VF_DATA_ @68
12:ENTITYTYPE=29:VERSION=36:Size=117:MaterialLabel=Air11:Potential=2 #
cface $5226 -1 $5227 $3068 $2227 1 #
string_attrib-name_attrib-gen-attrib $-1 -1 $-1 $4557 custom custom ignore copy @9 _VF_DATA_ @86
12:ENTITYTYPE=29:VERSION=38:Size=0.517:MaterialLabel=Air11:Potential=213:ElementType=7 #
real_attrib-name_attrib-gen-attrib $-1 -1 $5228 $4558 $1842 lose lose lose keep @11 VF_FACEAREA 935.14253265242542 #
rgb_color-st-attrib $-1 -1 $5229 $4559 $2227 0.60000002384185791 0.60000002384185791 0.60000002384185791 #
real_attrib-name_attrib-gen-attrib $-1 -1 $5230 $4560 $2601 lose lose lose keep @11 VF_FACEAREA 3.4400000000000031 #
string_attrib-name_attrib-gen-attrib $-1 -1 $5231 $4561 $3044 custom custom ignore copy @9 _VF_DATA_ @68
12:ENTITYTYPE=49:VERSION=225:Information=Internal face11:FaceSense=0 #
integer_attrib-name_attrib-gen-attrib $-1 -1 $5232 $4562 $4099 copy keep_all ignore copy @13 VF_PAIR_GROUP 2 #
integer_attrib-name_attrib-gen-attrib $-1 -1 $-1 $4564 $4100 lose lose ignore keep @15 VF_ID_NUM_LOCAL 154 #
integer_attrib-name_attrib-gen-attrib $-1 -1 $-1 $4565 $4102 lose lose ignore keep @15 VF_ID_NUM_LOCAL 157 #
integer_attrib-name_attrib-gen-attrib $-1 -1 $5233 $-1 $4567 copy keep_all ignore copy @7 VF_PAIR 19 #
straight-curve $-1 -1 -1 $-1 0 1.399999999999999 0 1 0 0 I I #
ptlist-eye-attrib $-1 -1 $5234 $4568 $3574 #
integer_attrib-name_attrib-gen-attrib $-1 -1 $5235 $4569 $4106 copy keep_all ignore copy @13 VF_PAIR_GROUP 3 #
integer_attrib-name_attrib-gen-attrib $-1 -1 $5236 $4571 $4107 copy keep_all ignore copy @13 VF_PAIR_GROUP 0 #
ptlist-eye-attrib $-1 -1 $5237 $4573 $3577 #
ptlist-eye-attrib $-1 -1 $5238 $4574 $3578 #
string_attrib-name_attrib-gen-attrib $-1 -1 $5239 $4575 $3051 custom custom ignore copy @9 _VF_DATA_ @63
12:ENTITYTYPE=89:VERSION=234:Information=paired edge [layering] #
string_attrib-name_attrib-gen-attrib $-1 -1 $5240 $4576 $3581 custom custom ignore copy @9 _VF_DATA_ @66
13:ENTITYTYPE=169:VERSION=236:Information=paired vertex [layering] #
string_attrib-name_attrib-gen-attrib $-1 -1 $5241 $4577 $3582 custom custom ignore copy @9 _VF_DATA_ @66
13:ENTITYTYPE=169:VERSION=236:Information=paired vertex [layering] #
string_attrib-name_attrib-gen-attrib $-1 -1 $5242 $4579 $3588 custom custom ignore copy @9 _VF_DATA_ @66
13:ENTITYTYPE=169:VERSION=236:Information=paired vertex [layering] #
integer_attrib-name_attrib-gen-attrib $-1 -1 $-1 $4581 lose lose ignore keep @15 VF_ID_NUM_LOCAL 21 #
integer_attrib-name_attrib-gen-attrib $-1 -1 $5243 $4582 $4132 copy keep_all ignore copy @13 VF_PAIR_GROUP 1 #
ptlist-eye-attrib $-1 -1 $5244 $4584 $3593 #
integer_attrib-name_attrib-gen-attrib $-1 -1 $5245 $4585 $4134 copy keep_all ignore copy @13 VF_PAIR_GROUP 1 #
ptlist-eye-attrib $-1 -1 $5246 $4587 $3595 #

```



```

integer_attr-name_attr-gen-attr $-1 -1 $5247 $4588 $4138 copy keep_all ignore copy @13 VF_PAIR_GROUP 2 #
fctd_mark-eye-attr $-1 -1 $5248 $4590 $3597 #
integer_attr-name_attr-gen-attr $-1 -1 $-1 $4591 $2608 lose lose ignore keep @15 VF_ID_NUM_LOCAL 159 #
integer_attr-name_attr-gen-attr $-1 -1 $-1 $4592 $3062 lose lose ignore keep @15 VF_ID_NUM_LOCAL 90 #
integer_attr-name_attr-gen-attr $-1 -1 $-1 $4593 $3063 lose lose ignore keep @15 VF_ID_NUM_LOCAL 92 #
string_attr-name_attr-gen-attr $-1 -1 $-1 $4595 custom custom ignore copy @9 _VF_DATA_ @68
12:ENTITYTYPE=29:VERSION=36:Size=117:MaterialLabel=Air11:Potential=2 #
cface $5249 -1 $5250 $3068 $3261 1 #
string_attr-name_attr-gen-attr $-1 -1 $-1 $4597 custom custom ignore copy @9 _VF_DATA_ @68
12:ENTITYTYPE=29:VERSION=36:Size=117:MaterialLabel=Air11:Potential=2 #
string_attr-name_attr-gen-attr $-1 -1 $-1 $4599 $4150 custom custom ignore copy @9 _VF_DATA_ @68
12:ENTITYTYPE=29:VERSION=36:Size=117:MaterialLabel=Air11:Potential=2 #
cface $5251 -1 $5252 $4600 $1899 1 #
string_attr-name_attr-gen-attr $-1 -1 $-1 $4602 custom custom ignore copy @9 _VF_DATA_ @68
12:ENTITYTYPE=29:VERSION=36:Size=117:MaterialLabel=Air11:Potential=2 #
rgb_color-st-attr $-1 -1 $5253 $4603 $1052 0.60000002384185791 0.60000002384185791 0.60000002384185791 #
coedge $-1 -1 -1 $-1 $4903 $4896 $4509 $4884 reversed $4528 $-1 #
coedge $-1 -1 -1 $-1 $4907 $4605 $4608 $4976 reversed $4970 $-1 #
coedge $-1 -1 -1 $-1 $4605 $4907 $4903 $5208 forward $4970 $-1 #
loop $5254 -1 -1 $-1 $4968 $5027 T 30.827642113708777 29.149999999999999 0 44 34.149999999999999 61.154696222063095
unknown #
ptlist-eye-attr $-1 -1 $5255 $-1 $4606 #
vertex $5256 -1 -1 $-1 $4606 $5257 #
straight-curve $-1 -1 -1 $-1 -72.450000000000031 145.59999999999999 0 -0.70710678118654757 0.70710678118654757 0 11 #
coedge $-1 -1 -1 $-1 $4608 $4607 $4746 $5067 reversed $4610 $-1 #
coedge $-1 -1 -1 $-1 $5258 $4742 $4164 $4614 forward $4254 $-1 #
edge $5259 -1 -1 $-1 $5213 1.3051020955728836 $4612 1.5707963267948966 $4968 $5260 forward @7 unknown T
35.827642113708777 29.149999999999997 0 44 29.150000000000002 61.154696222063087 #
coedge $-1 -1 -1 $-1 $4609 $5186 $5258 $5261 forward $3020 $-1 #
integer_attr-name_attr-gen-attr $-1 -1 $-1 $4610 lose lose ignore keep @15 VF_ID_NUM_LOCAL 59 #
integer_attr-name_attr-gen-attr $-1 -1 $-1 $4611 $4163 lose lose ignore keep @15 VF_ID_NUM_LOCAL 37 #
integer_attr-name_attr-gen-attr $-1 -1 $-1 $4612 lose lose ignore keep @15 VF_ID_NUM_LOCAL 30 #
point $-1 -1 -1 $-1 44 29.150000000000002 0 #
ptlist-eye-attr $-1 -1 $5262 $-1 $4614 #
ellipse-curve $-1 -1 -1 $-1 -188.90000000000001 0 0 0 1 0 232.90000000000001 0 0 1 11 #
ptlist-eye-attr $-1 -1 $5263 $-1 $4618 #
straight-curve $-1 -1 -1 $-1 0.050000000000000044 2.1500000000000004 0 -1 0 0 11 #
integer_attr-name_attr-gen-attr $-1 -1 $-1 $4620 $4170 lose lose ignore keep @15 VF_ID_NUM_LOCAL 28 #
integer_attr-name_attr-gen-attr $-1 -1 $-1 $4621 lose lose ignore keep @15 VF_ID_NUM_LOCAL 23 #
point $-1 -1 -1 $-1 3 2.149999999999999 0 #
integer_attr-name_attr-gen-attr $-1 -1 $5264 $4623 $3625 lose lose ignore keep @15 VF_ID_NUM_LOCAL 9 #
fmesh-eye-attr $-1 -1 $5265 $4625 $4176 #
string_attr-name_attr-gen-attr $-1 -1 $5266 $4628 $3641 custom custom ignore copy @9 _VF_DATA_ @66
13:ENTITYTYPE=169:VERSION=236:Information=paired vertex [layering] #
rgb_color-st-attr $-1 -1 $5267 $4632 $2251 0.60000002384185791 0.60000002384185791 0.60000002384185791 #
string_attr-name_attr-gen-attr $-1 -1 $5268 $4633 $2633 custom custom ignore copy @9 _VF_DATA_ @89
12:ENTITYTYPE=49:VERSION=225:Information=External face18:BoundaryLabel=norm1:FaceSense=1 #
string_attr-name_attr-gen-attr $-1 -1 $5269 $4634 $3106 custom custom ignore copy @9 _VF_DATA_ @68
12:ENTITYTYPE=49:VERSION=225:Information=Internal face11:FaceSense=0 #
integer_attr-name_attr-gen-attr $-1 -1 $5270 $4635 $3651 lose lose ignore keep @15 VF_ID_NUM_LOCAL 6 #
fmesh-eye-attr $-1 -1 $5271 $4636 $4190 #
integer_attr-name_attr-gen-attr $-1 -1 $-1 $4638 $2636 lose lose ignore keep @15 VF_ID_NUM_LOCAL 113 #
integer_attr-name_attr-gen-attr $-1 -1 $-1 $4641 $4197 lose lose ignore keep @15 VF_ID_NUM_LOCAL 152 #
string_attr-name_attr-gen-attr $-1 -1 $5272 $4643 $3668 custom custom ignore copy @9 _VF_DATA_ @66
13:ENTITYTYPE=169:VERSION=236:Information=paired vertex [layering] #
integer_attr-name_attr-gen-attr $-1 -1 $-1 $4648 lose lose ignore keep @15 VF_ID_NUM_LOCAL 78 #
integer_attr-name_attr-gen-attr $-1 -1 $-1 $4649 $4210 lose lose ignore keep @15 VF_ID_NUM_LOCAL 30 #
integer_attr-name_attr-gen-attr $-1 -1 $-1 $4650 lose lose ignore keep @15 VF_ID_NUM_LOCAL 24 #
point $-1 -1 -1 $-1 -2.799999999999998 2.149999999999999 0 #
ptlist-eye-attr $-1 -1 $5273 $-1 $4652 #
ellipse-curve $-1 -1 -1 $-1 -235.70000000000002 2.129999999999999 0 0 -1 0 232.90000000000001 0 0 1 11 #
ptlist-eye-attr $-1 -1 $5274 $4656 $3679 #
integer_attr-name_attr-gen-attr $-1 -1 $5275 $4657 $3681 lose lose ignore keep @15 VF_ID_NUM_LOCAL 96 #
integer_attr-name_attr-gen-attr $-1 -1 $-1 $4658 $3132 lose lose ignore keep @15 VF_ID_NUM_LOCAL 99 #
rgb_color-st-attr $-1 -1 $5276 $4659 $2264 0.60000002384185791 0.60000002384185791 0.60000002384185791 #
integer_attr-name_attr-gen-attr $-1 -1 $-1 $4660 $4221 lose lose ignore keep @15 VF_ID_NUM_LOCAL 146 #
integer_attr-name_attr-gen-attr $-1 -1 $5277 $4662 $4223 copy keep_all ignore copy @13 VF_PAIR_GROUP 3 #
string_attr-name_attr-gen-attr $-1 -1 $5278 $4664 $3692 custom custom ignore copy @9 _VF_DATA_ @66
13:ENTITYTYPE=169:VERSION=236:Information=paired vertex [layering] #
integer_attr-name_attr-gen-attr $-1 -1 $-1 $4665 $3139 lose lose ignore keep @15 VF_ID_NUM_LOCAL 74 #
real_attr-name_attr-gen-attr $-1 -1 $5279 $4667 $3145 lose lose lose keep @11 VF_FACEAREA 1069.5120699140311 #
coedge $-1 -1 -1 $-1 $4894 $4669 $4896 $5204 reversed $5017 $-1 #

```

```

coedge $-1 -1 -1 $-1 $4669 $4894 $4670 $5018 reversed $5017 $-1 #
loop $5280 -1 -1 $-1 $-1 $5015 $5210 T -48.902553611942238 29.15000000000002 0 -38.99999999999972 34.150000000000034
47.534981229876763 unknown #
edge $5281 -1 -1 $-1 $4512 -1.5707963267948966 $5200 -1.3652516599784406 $5016 $5282 reversed @7 unknown T -
48.902553611942238 29.15000000000002 0 -44 29.150000000000041 47.534981229876763 #
integer_attr-name_attr-gen-attr $-1 -1 $-1 $4672 lose lose ignore keep @15 VF_ID_NUM_LOCAL 61 #
face $5283 -1 -1 $-1 $4535 $4672 $221 $-1 $5284 reversed double in T -48.902553611942238 0 0 -43.99999999999972
29.150000000000041 47.534981229876763 F #
ptlist-eye-attr $-1 -1 $5285 $-1 $4673 #
ellipse-curve $-1 -1 -1 $-1 -276.89999999999998 0 0 0 -1 0 232.90000000000001 0 0 1 I I #
string_attr-name_attr-gen-attr $-1 -1 $-1 $4679 custom custom ignore copy @9 _VF_DATA_ @68
12:ENTITYTYPE=29:VERSION=36:Size=117:MaterialLabel=Air11:Potential=2 #
fmesh-eye-attr $-1 -1 $5286 $4680 $4248 #
integer_attr-name_attr-gen-attr $-1 -1 $-1 $4683 $4250 lose lose ignore keep @15 VF_ID_NUM_LOCAL 90 #
fctd_mark-eye-attr $-1 -1 $5287 $-1 $4688 #
face $5288 -1 -1 $-1 $4905 $4970 $221 $-1 $5289 reversed double in T 30.827642113708777 29.14999999999963 0 44
34.14999999999999 61.154696222063095 F #
plane-surface $-1 -1 -1 $-1 -2.9000000000000625 0 59.99999999999986 0 1 0 0 0 0.999999999999978 forward_v I I I I #
ptlist-eye-attr $-1 -1 $5290 $-1 $4691 #
straight-curve $-1 -1 -1 $-1 -44.846720713507999 9.575000000000011 86.284205678655809 0 -1 0 I I #
integer_attr-name_attr-gen-attr $-1 -1 $-1 $4693 $4258 lose lose ignore keep @15 VF_ID_NUM_LOCAL 46 #
integer_attr-name_attr-gen-attr $-1 -1 $-1 $4694 lose lose ignore keep @15 VF_ID_NUM_LOCAL 35 #
point $-1 -1 -1 $-1 -48.90255361194221 0 47.534981229876706 #
fmesh-eye-attr $-1 -1 $5291 $4696 $4260 #
integer_attr-name_attr-gen-attr $-1 -1 $-1 $4698 $4265 lose lose ignore keep @15 VF_ID_NUM_LOCAL 155 #
integer_attr-name_attr-gen-attr $-1 -1 $5292 $4700 $4267 copy keep_all ignore copy @13 VF_PAIR_GROUP 1 #
string_attr-name_attr-gen-attr $-1 -1 $5293 $4702 $3739 custom custom ignore copy @9 _VF_DATA_ @66
13:ENTITYTYPE=169:VERSION=236:Information=paired vertex [layering] #
integer_attr-name_attr-gen-attr $-1 -1 $-1 $4703 $3179 lose lose ignore keep @15 VF_ID_NUM_LOCAL 79 #
ptlist-eye-attr $-1 -1 $5294 $4706 $3750 #
integer_attr-name_attr-gen-attr $-1 -1 $5295 $4707 $3752 lose lose ignore keep @15 VF_ID_NUM_LOCAL 97 #
fmesh-eye-attr $-1 -1 $5296 $4709 $4285 #
string_attr-name_attr-gen-attr $-1 -1 $5297 $4711 $3204 custom custom ignore copy @9 _VF_DATA_ @68
12:ENTITYTYPE=49:VERSION=225:Information=Internal face11:FaceSense=0 #
integer_attr-name_attr-gen-attr $-1 -1 $5298 $4712 $3769 lose lose ignore keep @15 VF_ID_NUM_LOCAL 11 #
rgb_color-st-attr $-1 -1 $-1 $4713 $1899 0.60000002384185791 0.60000002384185791 0.60000002384185791 #
rgb_color-st-attr $-1 -1 $5299 $4714 $2302 0.60000002384185791 0.60000002384185791 0.60000002384185791 #
real_attr-name_attr-gen-attr $-1 -1 $5300 $4715 $2706 lose lose lose keep @11 VF_FACEAREA 1129.8499999999997 #
string_attr-name_attr-gen-attr $-1 -1 $5301 $4716 $3214 custom custom ignore copy @9 _VF_DATA_ @68
12:ENTITYTYPE=49:VERSION=225:Information=Internal face11:FaceSense=1 #
integer_attr-name_attr-gen-attr $-1 -1 $5302 $4717 $3778 lose lose ignore keep @15 VF_ID_NUM_LOCAL 49 #
ptlist-eye-attr $-1 -1 $5303 $-1 $4719 #
straight-curve $-1 -1 -1 $-1 -16.161808061776561 19.150000000000002 93.170843912405005 -0.97236992039767589 0 -
0.2334453638559052 I I #
integer_attr-name_attr-gen-attr $-1 -1 $-1 $4721 $4306 lose lose ignore keep @15 VF_ID_NUM_LOCAL 103 #
integer_attr-name_attr-gen-attr $-1 -1 $-1 $4722 lose lose ignore keep @15 VF_ID_NUM_LOCAL 62 #
point $-1 -1 -1 $-1 12.523104589954876 19.150000000000002 100.0574821461542 #
integer_attr-name_attr-gen-attr $-1 -1 $-1 $4724 $4309 lose lose ignore keep @15 VF_ID_NUM_LOCAL 100 #
integer_attr-name_attr-gen-attr $-1 -1 $-1 $4725 lose lose ignore keep @15 VF_ID_NUM_LOCAL 61 #
point $-1 -1 -1 $-1 -44.846720713507999 19.150000000000002 86.284205678655809 #
integer_attr-name_attr-gen-attr $-1 -1 $5304 $4728 $4311 copy keep_all ignore copy @13 VF_PAIR_GROUP 3 #
string_attr-name_attr-gen-attr $-1 -1 $5305 $4730 $3789 custom custom ignore copy @9 _VF_DATA_ @66
13:ENTITYTYPE=169:VERSION=236:Information=paired vertex [layering] #
integer_attr-name_attr-gen-attr $-1 -1 $-1 $4731 $3226 lose lose ignore keep @15 VF_ID_NUM_LOCAL 80 #
string_attr-name_attr-gen-attr $-1 -1 $5306 $4732 $3227 custom custom ignore copy @9 _VF_DATA_ @63
12:ENTITYTYPE=89:VERSION=234:Information=paired edge [layering] #
ptlist-eye-attr $-1 -1 $5307 $-1 $4734 #
straight-curve $-1 -1 -1 $-1 17.308734549000931 19.150000000000002 80.123898778001859 0.2334453638559052 0 -
0.97236992039767589 I I #
ptlist-eye-attr $-1 -1 $5308 $-1 $4735 #
straight-curve $-1 -1 -1 $-1 21.862837159370077 19.787500000000001 61.15469622206308 0 1 0 I I #
fmesh-eye-attr $-1 -1 $5309 $4736 $4322 #
integer_attr-name_attr-gen-attr $-1 -1 $5310 $4738 $3802 lose lose ignore keep @15 VF_ID_NUM_LOCAL 12 #
edge $5311 -1 -1 $-1 $5213 -14.574999999999982 $4748 14.574999999999989 $4974 $5312 forward @7 unknown T
35.827642113708777 0 61.154696222063087 35.827642113708805 29.1499999999997 61.154696222063087 #
integer_attr-name_attr-gen-attr $-1 -1 $-1 $4747 $4334 lose lose ignore keep @15 VF_ID_NUM_LOCAL 48 #
integer_attr-name_attr-gen-attr $-1 -1 $-1 $4748 lose lose ignore keep @15 VF_ID_NUM_LOCAL 36 #
point $-1 -1 -1 $-1 35.827642113708805 0 61.154696222063087 #
fmesh-eye-attr $-1 -1 $5313 $4751 $4338 #
fctd_mark-eye-attr $-1 -1 $5314 $-1 $4752 #
cone-surface $-1 -1 -1 $-1 -235.70000000000002 0 0 0 1 0 232.90000000000001 0 0 1 I I 0 -1 232.90000000000001 forward I I I I #
ptlist-eye-attr $-1 -1 $5315 $4753 $3818 #

```

```

integer_attr-name_attr-gen-attr $-1 -1 $5316 $4754 $3820 lose lose ignore keep @15 VF_ID_NUM_LOCAL 94 #
plist-eye-attr $-1 -1 $5317 $-1 $4756 #
ellipse-curve $-1 -1 -1 $-1 -229.90000000000001 2.1200000000000001 0 0 1 0 232.90000000000001 0 0 1 1 1 #
string_attr-name_attr-gen-attr $-1 -1 $5318 $4758 $3261 custom custom ignore copy @9 _VF_DATA_ @68
12:ENTITYTYPE=49:VERSION=225:Information=Internal face11:FaceSense=0 #
rgb_color-st-attr $-1 -1 $-1 $4759 $1908 0.60000002384185791 0.60000002384185791 0.60000002384185791 #
cface $5319 -1 $4091 $3444 $1908 0 #
rgb_color-st-attr $-1 -1 $5320 $4760 $2316 0.60000002384185791 0.60000002384185791 0.60000002384185791 #
real_attr-name_attr-gen-attr $-1 -1 $5321 $4761 $2738 lose lose lose keep @11 VF_FACEAREA 315.47387798633758 #
string_attr-name_attr-gen-attr $-1 -1 $5322 $4762 $3271 custom custom ignore copy @9 _VF_DATA_ @68
12:ENTITYTYPE=49:VERSION=225:Information=Internal face11:FaceSense=0 #
integer_attr-name_attr-gen-attr $-1 -1 $5323 $4763 $3839 lose lose ignore keep @15 VF_ID_NUM_LOCAL 20 #
plist-eye-attr $-1 -1 $5324 $-1 $4764 #
ellipse-curve $-1 -1 -1 $-1 -229.90000000000001 2.1499999999999995 0 0 -1 0 232.90000000000001 0 0 1 1 1 #
plist-eye-attr $-1 -1 $5325 $-1 $4765 #
ellipse-curve $-1 -1 -1 $-1 -235.70000000000002 2.1499999999999995 0 0 -1 0 232.90000000000001 0 0 1 1 1 #
integer_attr-name_attr-gen-attr $-1 -1 $-1 $4766 $4361 lose lose ignore keep @15 VF_ID_NUM_LOCAL 57 #
string_attr-name_attr-gen-attr $-1 -1 $5326 $4768 $2742 custom custom ignore copy @9 _VF_DATA_ @89
12:ENTITYTYPE=49:VERSION=225:Information=External face18:BoundaryLabel=norm11:FaceSense=1 #
string_attr-name_attr-gen-attr $-1 -1 $5327 $4769 $0 keep keep_ignored ignore copy @14 VF_COLOUR_DATA @55
8:NAME=1799:VERSION=214:List=Condition14:Label=NORMMAGN #
string_attr-name_attr-gen-attr $-1 -1 $5328 $4771 $3285 custom custom ignore copy @9 _VF_DATA_ @68
12:ENTITYTYPE=49:VERSION=225:Information=External face11:FaceSense=1 #
cface_ptr-ct-attr $-1 -1 $-1 $4772 $2765 $-1 $2358 #
string_attr-name_attr-gen-attr $-1 -1 $5329 $4773 $3287 custom custom ignore copy @9 _VF_DATA_ @68
12:ENTITYTYPE=49:VERSION=225:Information=External face11:FaceSense=0 #
rgb_color-st-attr $-1 -1 $-1 $4776 $2803 0.54901963472366333 0.90196079015731812 0.019607843831181526 #
string_attr-name_attr-gen-attr $-1 -1 $-1 $-1 $4780 custom custom ignore copy @9 _VF_DATA_ @68
12:ENTITYTYPE=29:VERSION=36:Size=617:MaterialLabel=Air11:Potential=5 #
string_attr-name_attr-gen-attr $-1 -1 $5330 $4781 $40 keep keep_ignored ignore copy @14 VF_COLOUR_DATA @52
8:NAME=1729:VERSION=214:List=Potential11:Label=Total #
string_attr-name_attr-gen-attr $-1 -1 $-1 $4783 $4411 custom custom ignore copy @9 _VF_DATA_ @89
12:ENTITYTYPE=29:VERSION=36:Size=319:MaterialLabel=ferro11:Potential=516:VolumeLabel=pack #
cface $5331 -1 $5332 $4784 $4322 1 #
string_attr-name_attr-gen-attr $-1 -1 $-1 $-1 $4785 custom custom ignore copy @9 _VF_DATA_ @86
12:ENTITYTYPE=29:VERSION=38:Size=0.517:MaterialLabel=Air11:Potential=213:ElementType=7 #
cface $5333 -1 $5334 $4412 $4338 0 #
string_attr-name_attr-gen-attr $-1 -1 $-1 $-1 $4787 custom custom ignore copy @9 _VF_DATA_ @68
12:ENTITYTYPE=29:VERSION=36:Size=617:MaterialLabel=Air11:Potential=5 #
cface $5335 -1 $5336 $3956 $2706 1 #
string_attr-name_attr-gen-attr $-1 -1 $-1 $-1 $4789 custom custom ignore copy @9 _VF_DATA_ @86
12:ENTITYTYPE=29:VERSION=38:Size=0.517:MaterialLabel=Air11:Potential=213:ElementType=7 #
cface $5337 -1 $4848 $2945 $3752 0 #
string_attr-name_attr-gen-attr $-1 -1 $-1 $-1 $4791 custom custom ignore copy @9 _VF_DATA_ @86
12:ENTITYTYPE=29:VERSION=38:Size=0.517:MaterialLabel=Air11:Potential=213:ElementType=7 #
integer_attr-name_attr-gen-attr $-1 -1 $5338 $4792 $3961 lose lose ignore keep @15 VF_ID_NUM_LOCAL 91 #
string_attr-name_attr-gen-attr $-1 -1 $5339 $4793 $3448 custom custom ignore copy @9 _VF_DATA_ @68
12:ENTITYTYPE=49:VERSION=225:Information=Internal face11:FaceSense=0 #
integer_attr-name_attr-gen-attr $-1 -1 $5340 $4794 $3963 lose lose ignore keep @15 VF_ID_NUM_LOCAL 93 #
string_attr-name_attr-gen-attr $-1 -1 $-1 $-1 $4796 custom custom ignore copy @9 _VF_DATA_ @86
12:ENTITYTYPE=29:VERSION=38:Size=0.517:MaterialLabel=Air11:Potential=213:ElementType=7 #
string_attr-name_attr-gen-attr $-1 -1 $5341 $4797 $3451 custom custom ignore copy @9 _VF_DATA_ @105
12:ENTITYTYPE=49:VERSION=225:Information=External face13:ElementType=718:BoundaryLabel=tang11:FaceSense=0 #
integer_attr-name_attr-gen-attr $-1 -1 $5342 $4798 $3968 lose lose ignore keep @15 VF_ID_NUM_LOCAL 78 #
fmesh-eye-attr $-1 -1 $5343 $4799 $4426 #
fmesh-eye-attr $-1 -1 $5344 $4802 $3454 #
rgb_color-st-attr $-1 -1 $5345 $4803 $2526 0.60000002384185791 0.60000002384185791 0.60000002384185791 #
string_attr-name_attr-gen-attr $-1 -1 $5346 $4804 $3460 custom custom ignore copy @9 _VF_DATA_ @105
12:ENTITYTYPE=49:VERSION=225:Information=External face13:ElementType=718:BoundaryLabel=tang11:FaceSense=0 #
cface_ptr-ct-attr $-1 -1 $5347 $4805 $2529 $2165 $5145 #
plist-eye-attr $-1 -1 $5348 $4806 $3985 #
cface_ptr-ct-attr $-1 -1 $-1 $4807 $2166 $5349 $1795 #
integer_attr-name_attr-gen-attr $-1 -1 $5350 $4808 $2531 lose lose ignore keep @15 VF_ID_NUM_LOCAL 75 #
real_attr-name_attr-gen-attr $-1 -1 $5351 $4809 $2959 lose lose lose keep @11 VF_FACEAREA 11.3766849339986 #
integer_attr-name_attr-gen-attr $-1 -1 $5352 $4810 $4448 copy keep_all ignore copy @13 VF_PAIR_GROUP 1 #
plist-eye-attr $-1 -1 $5353 $4812 $3993 #
integer_attr-name_attr-gen-attr $-1 -1 $5354 $4814 $4454 copy keep_all ignore copy @13 VF_PAIR_GROUP 2 #
integer_attr-name_attr-gen-attr $-1 -1 $5355 $4816 $4455 copy keep_all ignore copy @13 VF_PAIR_GROUP 2 #
string_attr-name_attr-gen-attr $-1 -1 $5356 $4818 $3473 custom custom ignore copy @9 _VF_DATA_ @63
12:ENTITYTYPE=89:VERSION=234:Information=paired edge [layering] #
string_attr-name_attr-gen-attr $-1 -1 $5357 $4819 $3999 custom custom ignore copy @9 _VF_DATA_ @66
13:ENTITYTYPE=169:VERSION=236:Information=paired vertex [layering] #

```

```

cface $5358 -1 $3514 $3068 $1798 1 #
integer_attr-name_attr-gen-attr $-1 -1 $-1 $4822 $2973 lose lose ignore keep @15 VF_ID_NUM_LOCAL 124 #
string_attr-name_attr-gen-attr $-1 -1 $-1 $4823 custom custom ignore copy @9 _VF_DATA_ @68
12:ENTITYTYPE=29:VERSION=36:Size=117:MaterialLabel=Air11:Potential=2 #
cface $5359 -1 $5349 $4600 $3487 1 #
cface_ptr-ct-attr $-1 -1 $5360 $4824 $1803 $1800 $3971 #
rgb_color-st-attr $-1 -1 $-1 $4825 $2177 0.60000002384185791 0.60000002384185791 0.60000002384185791 #
cface_ptr-ct-attr $-1 -1 $5361 $4826 $2546 $5362 $2969 #
real_attr-name_attr-gen-attr $-1 -1 $5363 $4827 $2978 lose lose lose keep @11 VF_FACEAREA 3.3449525261679902 #
string_attr-name_attr-gen-attr $-1 -1 $5364 $4828 $3487 custom custom ignore copy @9 _VF_DATA_ @68
12:ENTITYTYPE=49:VERSION=225:Information=Internal face11:FaceSense=0 #
string_attr-name_attr-gen-attr $-1 -1 $5365 $4829 $3493 custom custom ignore copy @9 _VF_DATA_ @63
12:ENTITYTYPE=89:VERSION=234:Information=paired edge [layering] #
string_attr-name_attr-gen-attr $-1 -1 $5366 $4830 $3494 custom custom ignore copy @9 _VF_DATA_ @63
12:ENTITYTYPE=89:VERSION=234:Information=paired edge [layering] #
string_attr-name_attr-gen-attr $-1 -1 $5367 $4831 $3495 custom custom ignore copy @9 _VF_DATA_ @63
12:ENTITYTYPE=89:VERSION=234:Information=paired edge [layering] #
integer_attr-name_attr-gen-attr $-1 -1 $-1 $4832 $2985 lose lose ignore keep @15 VF_ID_NUM_LOCAL 132 #
integer_attr-name_attr-gen-attr $-1 -1 $-1 $4833 $3502 lose lose ignore keep @15 VF_ID_NUM_LOCAL 77 #
string_attr-name_attr-gen-attr $-1 -1 $5368 $4834 $3503 custom custom ignore copy @9 _VF_DATA_ @63
12:ENTITYTYPE=89:VERSION=234:Information=paired edge [layering] #
rgb_color-st-attr $-1 -1 $5369 $4838 $1405 0.60000002384185791 0.60000002384185791 0.60000002384185791 #
string_attr-name_attr-gen-attr $-1 -1 $-1 $4841 custom custom ignore copy @9 _VF_DATA_ @68
12:ENTITYTYPE=29:VERSION=36:Size=317:MaterialLabel=Air11:Potential=2 #
cface $5370 -1 $5371 $3444 $2529 0 #
string_attr-name_attr-gen-attr $-1 -1 $-1 $4842 custom custom ignore copy @9 _VF_DATA_ @68
12:ENTITYTYPE=29:VERSION=36:Size=117:MaterialLabel=Air11:Potential=2 #
cface_ptr-ct-attr $-1 -1 $5372 $4843 $1823 $2168 $2539 #
rgb_color-st-attr $-1 -1 $-1 $4844 $2201 0.60000002384185791 0.60000002384185791 0.60000002384185791 #
cface_ptr-ct-attr $-1 -1 $-1 $4847 $1043 $-1 $754 #
string_attr-name_attr-gen-attr $-1 -1 $-1 $4848 custom custom ignore copy @9 _VF_DATA_ @68
12:ENTITYTYPE=29:VERSION=38:Size=0.517:MaterialLabel=Air11:Potential=213:ElementType=7 #
cface $5373 -1 $5374 $2945 $3839 0 #
string_attr-name_attr-gen-attr $-1 -1 $-1 $4849 custom custom ignore copy @9 _VF_DATA_ @68
12:ENTITYTYPE=29:VERSION=36:Size=317:MaterialLabel=Air11:Potential=2 #
cface $5375 -1 $5376 $3444 $2316 0 #
string_attr-name_attr-gen-attr $-1 -1 $-1 $4851 custom custom ignore copy @9 _VF_DATA_ @89
12:ENTITYTYPE=29:VERSION=36:Size=319:MaterialLabel=ferro11:Potential=516:VolumeLabel=pack #
cface $5377 -1 $5378 $4784 $4905 1 #
rgb_color-st-attr $-1 -1 $-1 $4852 $2218 0.60000002384185791 0.60000002384185791 0.60000002384185791 #
cface $5379 -1 $5380 $4784 $2218 1 #
cface $5381 -1 $5382 $3956 $2218 0 #
string_attr-name_attr-gen-attr $-1 -1 $5383 $4853 $2587 custom custom ignore copy @9 _VF_DATA_ @89
12:ENTITYTYPE=49:VERSION=225:Information=External face18:BoundaryLabel=tang11:FaceSense=1 #
rgb_color-st-attr $-1 -1 $5384 $4854 $3019 0.60000002384185791 0.60000002384185791 0.60000002384185791 #
real_attr-name_attr-gen-attr $-1 -1 $5385 $4855 $3529 lose lose lose keep @11 VF_FACEAREA 12800 #
integer_attr-name_attr-gen-attr $-1 -1 $5386 $4856 $4052 lose lose ignore keep @15 VF_ID_NUM_LOCAL 33 #
fmesh-eye-attr $-1 -1 $5387 $4857 $4497 #
integer_attr-name_attr-gen-attr $-1 -1 $-1 $4858 lose lose ignore keep @15 VF_ID_NUM_LOCAL 66 #
coedge $-1 -1 $-1 $4864 $4861 $4877 $5187 reversed $4498 $-1 #
edge $5388 -1 -1 $-1 $4875 -80 $5389 80 $4872 $5390 forward @7 unknown T 80 80 0 80 80 160 #
coedge $-1 -1 $-1 $4863 $4862 $4879 $5190 reversed $4053 $-1 #
edge $5391 -1 -1 $-1 $5170 -40 $5177 40 $4863 $5392 forward @7 unknown T -80 0 160 -80 80 160 #
ptlist-eye-attr $-1 -1 $5393 $-1 $4865 #
vertex $5394 -1 -1 $-1 $4868 $5395 #
vertex $5396 -1 -1 $-1 $5187 $5397 #
straight-curve $-1 -1 $-1 -80 80 80 0 0 -1 II #
ptlist-eye-attr $-1 -1 $5398 $-1 $4868 #
straight-curve $-1 -1 $-1 0 80 160 -1 0 0 II #
coedge $-1 -1 $-1 $4869 $5258 $4871 $5180 reversed $4254 $-1 #
ptlist-eye-attr $-1 -1 $5399 $-1 $4870 #
vertex $5400 -1 -1 $-1 $5168 $5401 #
straight-curve $-1 -1 $-1 0 0 160 1 0 0 II #
coedge $-1 -1 $-1 $4872 $4871 $5186 $5402 reversed $4858 $-1 #
edge $5403 -1 -1 $-1 $4874 -80 $5404 80 $4871 $5405 forward @7 unknown T 80 0 0 80 0 160 #
integer_attr-name_attr-gen-attr $-1 -1 $-1 $4873 $4505 lose lose ignore keep @15 VF_ID_NUM_LOCAL 80 #
integer_attr-name_attr-gen-attr $-1 -1 $-1 $4874 lose lose ignore keep @15 VF_ID_NUM_LOCAL 52 #
point $-1 -1 $-1 80 0 160 #
integer_attr-name_attr-gen-attr $-1 -1 $-1 $4875 lose lose ignore keep @15 VF_ID_NUM_LOCAL 53 #
point $-1 -1 $-1 80 80 160 #
coedge $-1 -1 $-1 $4977 $4877 $5179 $5402 forward $3020 $-1 #
edge $5406 -1 -1 $-1 $5171 -80 $5389 80 $5165 $5407 forward @7 unknown T -80 80 0 80 80 0 #

```

```

ptlist-eye-attrb $-1 -1 $5408 $-1 $4878 #
straight-curve $-1 -1 -1 $-1 -80 40 0 0 1 0 I I #
edge $5409 -1 -1 $-1 $5177 -80 $4881 80 $5167 $5410 forward @7 unknown T -80 0 0 -80 0 160 #
integer_attrb-name_attrb-gen-attrb $-1 -1 $-1 $4880 $4508 lose lose ignore keep @15 VF_ID_NUM_LOCAL 75 #
integer_attrb-name_attrb-gen-attrb $-1 -1 $-1 $4881 lose lose ignore keep @15 VF_ID_NUM_LOCAL 48 #
point $-1 -1 -1 $-1 -80 0 0 #
ptlist-eye-attrb $-1 -1 $5411 $-1 $4884 #
straight-curve $-1 -1 -1 $-1 -12.5 34.149999999999999 0 -1 0 0 I I #
integer_attrb-name_attrb-gen-attrb $-1 -1 $-1 $4885 $4510 lose lose ignore keep @15 VF_ID_NUM_LOCAL 34 #
integer_attrb-name_attrb-gen-attrb $-1 -1 $-1 $4886 lose lose ignore keep @15 VF_ID_NUM_LOCAL 28 #
point $-1 -1 -1 $-1 -39 34.149999999999999 0 #
ptlist-eye-attrb $-1 -1 $5412 $-1 $4892 #
vertex $5413 -1 -1 $-1 $4892 $5414 #
straight-curve $-1 -1 -1 $-1 -48.90255361194221 14.575000000000019 47.534981229876706 0 1 0 I I #
ptlist-eye-attrb $-1 -1 $5415 $-1 $4895 #
straight-curve $-1 -1 -1 $-1 -157.90127680597112 -79.84872319402885 47.534981229876706 0.70710678118654757
0.70710678118654757 0 I I #
edge $5416 -1 -1 $-1 $4898 -0.20554466681645578 $4886 0 $5015 $5417 forward @7 unknown T -43.902553611942267
34.149999999999999 0 -38.999999999999972 34.149999999999999 47.534981229876706 #
integer_attrb-name_attrb-gen-attrb $-1 -1 $-1 $4897 $4519 lose lose ignore keep @15 VF_ID_NUM_LOCAL 74 #
integer_attrb-name_attrb-gen-attrb $-1 -1 $-1 $4898 lose lose ignore keep @15 VF_ID_NUM_LOCAL 47 #
point $-1 -1 -1 $-1 -43.902553611942267 34.149999999999999 47.534981229876706 #
edge $5418 -1 -1 $-1 $4910 1.3051020955728836 $4972 1.5707963267948966 $4903 $5419 forward @7 unknown T
30.827642113708777 34.149999999999999 0 38.999999999999972 34.149999999999999 61.154696222063087 #
fctd_mark-eye-attrb $-1 -1 $5420 $-1 $4905 #
face $5421 -1 -1 $-1 $5020 $5017 $221 $-1 $5422 reversed double in T -48.902553611942238 29.150000000000002 0 -
38.999999999999972 34.150000000000034 47.534981229876763 F #
plane-surface $-1 -1 -1 $-1 -25 34.149999999999999 0 0 1 0 0 0 1 forward_v I I I I #
ptlist-eye-attrb $-1 -1 $5423 $-1 $4908 #
vertex $5424 -1 -1 $-1 $4976 $5425 #
straight-curve $-1 -1 -1 $-1 -76.536178943145629 141.5138210568544 61.154696222063095 0.70710678118654757 -
0.70710678118654757 0 I I #
integer_attrb-name_attrb-gen-attrb $-1 -1 $-1 $4909 $4532 lose lose ignore keep @15 VF_ID_NUM_LOCAL 94 #
integer_attrb-name_attrb-gen-attrb $-1 -1 $-1 $4910 lose lose ignore keep @15 VF_ID_NUM_LOCAL 59 #
point $-1 -1 -1 $-1 30.827642113708777 34.149999999999999 61.154696222063087 #
fmesh-eye-attrb $-1 -1 $5426 $4912 $4535 #
fctd_mark-eye-attrb $-1 -1 $5427 $-1 $4913 #
cone-surface $-1 -1 -1 $-1 -188.90000000000001 0 0 0 1 0 232.90000000000001 0 0 1 I I 0 1 232.90000000000001 forward I I I I #
integer_attrb-name_attrb-gen-attrb $-1 -1 $5428 $4915 $4080 lose lose ignore keep @15 VF_ID_NUM_LOCAL 8 #
fctd_mark-eye-attrb $-1 -1 $5429 $4922 $4086 #
string_attrb-name_attrb-gen-attrb $-1 -1 $5430 $4923 $3555 custom custom ignore copy @9 _VF_DATA_ @68
12:ENTITYTYPE=49:VERSION=225:Information=Internal face11:FaceSense=1 #
string_attrb-name_attrb-gen-attrb $-1 -1 $-1 $4928 custom custom ignore copy @9 _VF_DATA_ @68
12:ENTITYTYPE=29:VERSION=36:Size=317:MaterialLabel=Air11:Potential=2 #
cface $5431 -1 $5432 $3444 $2706 0 #
string_attrb-name_attrb-gen-attrb $-1 -1 $-1 $4930 custom custom ignore copy @9 _VF_DATA_ @68
12:ENTITYTYPE=29:VERSION=36:Size=117:MaterialLabel=Air11:Potential=2 #
cface $5433 -1 $5434 $3068 $2959 1 #
cface_ptr-ct-attrb $-1 -1 $5435 $4932 $1842 $3960 $5436 #
cface_ptr-ct-attrb $-1 -1 $-1 $4933 $2227 $4930 $2523 #
rgb_color-st-attrb $-1 -1 $5437 $4934 $2601 0.60000002384185791 0.60000002384185791 0.60000002384185791 #
real_attrb-name_attrb-gen-attrb $-1 -1 $5438 $4935 $3044 lose lose ignore keep @11 VF_FACEAREA 10.573622936633269 #
ptlist-eye-attrb $-1 -1 $5439 $4936 $4099 #
integer_attrb-name_attrb-gen-attrb $-1 -1 $5440 $4939 $4567 copy keep_all ignore copy @13 VF_PAIR_GROUP 2 #
string_attrb-name_attrb-gen-attrb $-1 -1 $5441 $4941 $3574 custom custom ignore copy @9 _VF_DATA_ @63
12:ENTITYTYPE=89:VERSION=234:Information=paired edge [layering] #
string_attrb-name_attrb-gen-attrb $-1 -1 $5442 $4942 $4106 custom custom ignore copy @9 _VF_DATA_ @66
13:ENTITYTYPE=169:VERSION=236:Information=paired vertex [layering] #
string_attrb-name_attrb-gen-attrb $-1 -1 $5443 $4943 $4107 custom custom ignore copy @9 _VF_DATA_ @66
13:ENTITYTYPE=169:VERSION=236:Information=paired vertex [layering] #
string_attrb-name_attrb-gen-attrb $-1 -1 $5444 $4944 $3577 custom custom ignore copy @9 _VF_DATA_ @63
12:ENTITYTYPE=89:VERSION=234:Information=paired edge [layering] #
string_attrb-name_attrb-gen-attrb $-1 -1 $5445 $4945 $3578 custom custom ignore copy @9 _VF_DATA_ @63
12:ENTITYTYPE=89:VERSION=234:Information=paired edge [layering] #
integer_attrb-name_attrb-gen-attrb $-1 -1 $-1 $4946 $3051 lose lose ignore keep @15 VF_ID_NUM_LOCAL 168 #
integer_attrb-name_attrb-gen-attrb $-1 -1 $-1 $4947 $3581 lose lose ignore keep @15 VF_ID_NUM_LOCAL 97 #
integer_attrb-name_attrb-gen-attrb $-1 -1 $-1 $4948 $3582 lose lose ignore keep @15 VF_ID_NUM_LOCAL 96 #
integer_attrb-name_attrb-gen-attrb $-1 -1 $-1 $4949 $3588 lose lose ignore keep @15 VF_ID_NUM_LOCAL 95 #
ptlist-eye-attrb $-1 -1 $5446 $4951 $4132 #
string_attrb-name_attrb-gen-attrb $-1 -1 $5447 $4952 $3593 custom custom ignore copy @9 _VF_DATA_ @63
12:ENTITYTYPE=89:VERSION=234:Information=paired edge [layering] #

```

```

string_attrib-name_attrib-gen-attrb $-1 -1 $5448 $4953 $4134 custom custom ignore copy @9 _VF_DATA_ @66
13:ENTITYTYPE=169:VERSION=236:Information=paired vertex [layering] #
string_attrib-name_attrib-gen-attrb $-1 -1 $5449 $4954 $3595 custom custom ignore copy @9 _VF_DATA_ @63
12:ENTITYTYPE=89:VERSION=234:Information=paired edge [layering] #
string_attrib-name_attrib-gen-attrb $-1 -1 $5450 $4955 $4138 custom custom ignore copy @9 _VF_DATA_ @66
13:ENTITYTYPE=169:VERSION=236:Information=paired vertex [layering] #
fmesh-eye-attrb $-1 -1 $5451 $4956 $3597 #
string_attrib-name_attrib-gen-attrb $-1 -1 $-1 $-1 $4961 custom custom ignore copy @9 _VF_DATA_ @68
12:ENTITYTYPE=29:VERSION=36:Size=117:MaterialLabel=Air11:Potential=2 #
cface $5452 -1 $-1 $3068 $2251 0 #
string_attrib-name_attrib-gen-attrb $-1 -1 $-1 $-1 $4964 custom custom ignore copy @9 _VF_DATA_ @68
12:ENTITYTYPE=29:VERSION=36:Size=117:MaterialLabel=Air11:Potential=2 #
cface $5453 -1 $5454 $4600 $3204 1 #
integer_attrib-name_attrib-gen-attrb $-1 -1 $-1 $4966 $1052 copy keep_all ignore copy @21 VF_PAIR_TRANSFDEFINED 2 #
integer_attrib-name_attrib-gen-attrb $-1 -1 $-1 $4970 lose lose ignore keep @15 VF_ID_NUM_LOCAL 64 #
integer_attrib-name_attrib-gen-attrb $-1 -1 $-1 $4971 $4606 lose lose ignore keep @15 VF_ID_NUM_LOCAL 36 #
integer_attrib-name_attrib-gen-attrb $-1 -1 $-1 $4972 lose lose ignore keep @15 VF_ID_NUM_LOCAL 29 #
point $-1 -1 -1 $-1 38.99999999999972 34.14999999999999 0 #
coedge $-1 -1 -1 $-1 $5175 $4975 $4977 $5261 reversed $4254 $-1 #
pplist-eye-attrb $-1 -1 $5455 $-1 $4976 #
ellipse-curve $-1 -1 -1 $-1 -188.90000000000001 29.15000000000002 0 2.1355943110007303e-016 1 0 0 0 232.90000000000001
0.999999999999989 11 #
edge $5456 -1 -1 $-1 $5404 -80 $4166 -44 $5258 $5457 forward @7 unknown T 44 0 0 80 0 0 #
integer_attrib-name_attrib-gen-attrb $-1 -1 $-1 $4982 $4614 lose lose ignore keep @15 VF_ID_NUM_LOCAL 50 #
integer_attrib-name_attrib-gen-attrb $-1 -1 $-1 $4984 $4618 lose lose ignore keep @15 VF_ID_NUM_LOCAL 29 #
real_attrib-name_attrib-gen-attrb $-1 -1 $5458 $4989 $3625 lose lose lose keep @11 VF_FACEAREA 2191.8839999999991 #
integer_attrib-name_attrib-gen-attrb $-1 -1 $5459 $4990 $4176 lose lose ignore keep @15 VF_ID_NUM_LOCAL 14 #
integer_attrib-name_attrib-gen-attrb $-1 -1 $-1 $4991 $3641 lose lose ignore keep @15 VF_ID_NUM_LOCAL 100 #
cface_ptr-ct-attrb $-1 -1 $-1 $4992 $2251 $-1 $5250 #
cface_ptr-ct-attrb $-1 -1 $5460 $4993 $2633 $-1 $3067 #
real_attrib-name_attrib-gen-attrb $-1 -1 $5461 $4994 $3106 lose lose lose keep @11 VF_FACEAREA 916.73640806473168 #
string_attrib-name_attrib-gen-attrb $-1 -1 $5462 $4995 $3651 custom custom ignore copy @9 _VF_DATA_ @68
12:ENTITYTYPE=49:VERSION=225:Information=Internal face11:FaceSense=0 #
integer_attrib-name_attrib-gen-attrb $-1 -1 $5463 $4996 $4190 lose lose ignore keep @15 VF_ID_NUM_LOCAL 7 #
integer_attrib-name_attrib-gen-attrb $-1 -1 $-1 $4999 $3668 lose lose ignore keep @15 VF_ID_NUM_LOCAL 98 #
integer_attrib-name_attrib-gen-attrb $-1 -1 $-1 $5004 $4652 lose lose ignore keep @15 VF_ID_NUM_LOCAL 63 #
string_attrib-name_attrib-gen-attrb $-1 -1 $5464 $5006 $3679 custom custom ignore copy @9 _VF_DATA_ @63
12:ENTITYTYPE=89:VERSION=234:Information=paired edge [layering] #
real_attrib-name_attrib-gen-attrb $-1 -1 $5465 $5007 $3681 lose lose lose keep @11 VF_FACEAREA 2.296000000000002 #
cface_ptr-ct-attrb $-1 -1 $-1 $5009 $2264 $-1 $5466 #
string_attrib-name_attrib-gen-attrb $-1 -1 $5467 $5011 $4223 custom custom ignore copy @9 _VF_DATA_ @66
13:ENTITYTYPE=169:VERSION=236:Information=paired vertex [layering] #
integer_attrib-name_attrib-gen-attrb $-1 -1 $-1 $5012 $3692 lose lose ignore keep @15 VF_ID_NUM_LOCAL 78 #
string_attrib-name_attrib-gen-attrb $-1 -1 $5468 $5014 $3145 custom custom ignore copy @9 _VF_DATA_ @89
12:ENTITYTYPE=49:VERSION=225:Information=External face18:BoundaryLabel=norm11:FaceSense=1 #
integer_attrib-name_attrib-gen-attrb $-1 -1 $-1 $5017 lose lose ignore keep @15 VF_ID_NUM_LOCAL 62 #
pplist-eye-attrb $-1 -1 $5469 $-1 $5018 #
ellipse-curve $-1 -1 -1 $-1 -276.89999999999998 29.14999999999999 0 -1.8305094094291976e-016 1 0 0 0 232.90000000000001
0.999999999999989 11 #
fctd_mark-eye-attrb $-1 -1 $5470 $-1 $5020 #
cone-surface $-1 -1 -1 $-1 -276.89999999999998 29.15000000000002 0 0 -1 0 232.90000000000001 0 0 1 1 10 -1 232.90000000000001
forward 1111 #
integer_attrib-name_attrib-gen-attrb $-1 -1 $-1 $5021 $4673 lose lose ignore keep @15 VF_ID_NUM_LOCAL 47 #
integer_attrib-name_attrib-gen-attrb $-1 -1 $5471 $5024 $4248 lose lose ignore keep @15 VF_ID_NUM_LOCAL 42 #
fmesh-eye-attrb $-1 -1 $5472 $5026 $4688 #
fctd_mark-eye-attrb $-1 -1 $5473 $-1 $5027 #
cone-surface $-1 -1 -1 $-1 -188.90000000000001 29.15000000000002 0 -0.70710678118654746 0.70710678118654746 0 0 0
232.90000000000001 0.70710678118654746 11 0 1 232.90000000000001 forward 1111 #
integer_attrib-name_attrib-gen-attrb $-1 -1 $-1 $5029 $4691 lose lose ignore keep @15 VF_ID_NUM_LOCAL 104 #
integer_attrib-name_attrib-gen-attrb $-1 -1 $5474 $5034 $4260 lose lose ignore keep @15 VF_ID_NUM_LOCAL 13 #
string_attrib-name_attrib-gen-attrb $-1 -1 $5475 $5036 $4267 custom custom ignore copy @9 _VF_DATA_ @66
13:ENTITYTYPE=169:VERSION=236:Information=paired vertex [layering] #
integer_attrib-name_attrib-gen-attrb $-1 -1 $-1 $5037 $3739 lose lose ignore keep @15 VF_ID_NUM_LOCAL 83 #
string_attrib-name_attrib-gen-attrb $-1 -1 $5476 $5039 $3750 custom custom ignore copy @9 _VF_DATA_ @63
12:ENTITYTYPE=89:VERSION=234:Information=paired edge [layering] #
real_attrib-name_attrib-gen-attrb $-1 -1 $5477 $5040 $3752 lose lose lose keep @11 VF_FACEAREA 6.8728549088116324 #
integer_attrib-name_attrib-gen-attrb $-1 -1 $5478 $5041 $4285 lose lose ignore keep @15 VF_ID_NUM_LOCAL 23 #
real_attrib-name_attrib-gen-attrb $-1 -1 $5479 $5042 $3204 lose lose lose keep @11 VF_FACEAREA 1.0573622936650577 #
string_attrib-name_attrib-gen-attrb $-1 -1 $5480 $5043 $3769 custom custom ignore copy @9 _VF_DATA_ @68
12:ENTITYTYPE=49:VERSION=225:Information=Internal face11:FaceSense=0 #
cface_ptr-ct-attrb $-1 -1 $-1 $5045 $2302 $4413 $4928 #
rgb_color-st-attrb $-1 -1 $5481 $5046 $2706 0.60000002384185791 0.60000002384185791 0.60000002384185791 #

```

```

real_attrb-name_attrb-gen-attrb $-1 -1 $5482 $5047 $3214 lose lose lose keep @11 VF_FACEAREA 763.13307582636833 #
string_attrb-name_attrb-gen-attrb $-1 -1 $5483 $5048 $3778 custom custom ignore copy @9 _VF_DATA_ @68
12:ENTITYTYPE=49:VERSION=225:Information=Internal face11:FaceSense=1 #
integer_attrb-name_attrb-gen-attrb $-1 -1 $-1 $5049 $4719 lose lose ignore keep @15 VF_ID_NUM_LOCAL 101 #
pplist-eye-attrb $-1 -1 $5484 $5057 $4311 #
integer_attrb-name_attrb-gen-attrb $-1 -1 $-1 $5058 $3789 lose lose ignore keep @15 VF_ID_NUM_LOCAL 84 #
integer_attrb-name_attrb-gen-attrb $-1 -1 $-1 $5060 $3227 lose lose ignore keep @15 VF_ID_NUM_LOCAL 127 #
integer_attrb-name_attrb-gen-attrb $-1 -1 $-1 $5061 $4734 lose lose ignore keep @15 VF_ID_NUM_LOCAL 102 #
integer_attrb-name_attrb-gen-attrb $-1 -1 $-1 $5063 $4735 lose lose ignore keep @15 VF_ID_NUM_LOCAL 99 #
integer_attrb-name_attrb-gen-attrb $-1 -1 $5485 $5065 $4322 lose lose ignore keep @15 VF_ID_NUM_LOCAL 43 #
string_attrb-name_attrb-gen-attrb $-1 -1 $5486 $5066 $3802 custom custom ignore copy @9 _VF_DATA_ @68
12:ENTITYTYPE=49:VERSION=225:Information=Internal face11:FaceSense=0 #
pplist-eye-attrb $-1 -1 $5487 $-1 $5067 #
straight-curve $-1 -1 -1 $-1 35.827642113708805 14.574999999999989 61.154696222063087 0 -1 0 11 #
integer_attrb-name_attrb-gen-attrb $-1 -1 $5488 $5071 $4338 lose lose ignore keep @15 VF_ID_NUM_LOCAL 95 #
fmesh-eye-attrb $-1 -1 $5489 $5072 $4752 #
string_attrb-name_attrb-gen-attrb $-1 -1 $5490 $5074 $3818 custom custom ignore copy @9 _VF_DATA_ @63
12:ENTITYTYPE=89:VERSION=234:Information=paired edge [layering] #
string_attrb-name_attrb-gen-attrb $-1 -1 $5491 $5075 $3820 custom custom ignore copy @9 _VF_DATA_ @68
12:ENTITYTYPE=49:VERSION=225:Information=Internal face11:FaceSense=0 #
integer_attrb-name_attrb-gen-attrb $-1 -1 $-1 $5076 $4756 lose lose ignore keep @15 VF_ID_NUM_LOCAL 62 #
real_attrb-name_attrb-gen-attrb $-1 -1 $5492 $5078 $3261 lose lose lose keep @11 VF_FACEAREA 1.7065027400974757 #
string_attrb-name_attrb-gen-attrb $-1 -1 $-1 $5080 custom custom ignore copy @9 _VF_DATA_ @68
12:ENTITYTYPE=29:VERSION=36:Size=317:MaterialLabel=Air11:Potential=2 #
cface_ptr-ct-attrb $-1 -1 $-1 $5081 $2316 $5493 $5153 #
cface_ptr-ct-attrb $-1 -1 $5494 $5082 $2738 $5495 $3958 #
real_attrb-name_attrb-gen-attrb $-1 -1 $5496 $5083 $3271 lose lose lose keep @11 VF_FACEAREA 1.667283204707406 #
string_attrb-name_attrb-gen-attrb $-1 -1 $5497 $5084 $3839 custom custom ignore copy @9 _VF_DATA_ @68
12:ENTITYTYPE=49:VERSION=225:Information=Internal face11:FaceSense=1 #
integer_attrb-name_attrb-gen-attrb $-1 -1 $-1 $5085 $4764 lose lose ignore keep @15 VF_ID_NUM_LOCAL 60 #
integer_attrb-name_attrb-gen-attrb $-1 -1 $-1 $5087 $4765 lose lose ignore keep @15 VF_ID_NUM_LOCAL 61 #
rgb_color-st-attrb $-1 -1 $5498 $5090 $2742 0.60000002384185791 0.60000002384185791 0.60000002384185791 #
string_attrb-name_attrb-gen-attrb $-1 -1 $5499 $5091 $0 keep keep_keept ignore copy @14 VF_COLOUR_DATA @49
8:NAME=1869:VERSION=212:List=Packing10:Label=0.96 #
cface_ptr-ct-attrb $-1 -1 $-1 $5092 $3285 $-1 $2764 #
cface_ptr-ct-attrb $-1 -1 $-1 $5094 $3287 $-1 $3284 #
string_attrb-name_attrb-gen-attrb $-1 -1 $5500 $5097 $40 keep keep_keept ignore copy @14 VF_COLOUR_DATA @62
8:NAME=1609:VERSION=216:List=Information19:Label=External face #
string_attrb-name_attrb-gen-attrb $-1 -1 $-1 $5099 custom custom ignore copy @9 _VF_DATA_ @89
12:ENTITYTYPE=29:VERSION=36:Size=319:MaterialLabel=ferro11:Potential=516:VolumeLabel=pack #
cface $5501 -1 $5502 $4784 $3839 1 #
string_attrb-name_attrb-gen-attrb $-1 -1 $-1 $5101 custom custom ignore copy @9 _VF_DATA_ @86
12:ENTITYTYPE=29:VERSION=38:Size=0.517:MaterialLabel=Air11:Potential=213:ElementType=7 #
cface $5503 -1 $5504 $4412 $2601 0 #
string_attrb-name_attrb-gen-attrb $-1 -1 $-1 $5103 custom custom ignore copy @9 _VF_DATA_ @68
12:ENTITYTYPE=29:VERSION=36:Size=617:MaterialLabel=Air11:Potential=5 #
cface $5505 -1 $5158 $3956 $3214 1 #
string_attrb-name_attrb-gen-attrb $-1 -1 $-1 $5105 custom custom ignore copy @9 _VF_DATA_ @86
12:ENTITYTYPE=29:VERSION=38:Size=0.517:MaterialLabel=Air11:Potential=213:ElementType=7 #
string_attrb-name_attrb-gen-attrb $-1 -1 $5506 $5107 $3961 custom custom ignore copy @9 _VF_DATA_ @68
12:ENTITYTYPE=49:VERSION=225:Information=Internal face11:FaceSense=1 #
real_attrb-name_attrb-gen-attrb $-1 -1 $5507 $5108 $3448 lose lose lose keep @11 VF_FACEAREA 10.573622936633269 #
string_attrb-name_attrb-gen-attrb $-1 -1 $5508 $5109 $3963 custom custom ignore copy @9 _VF_DATA_ @105
12:ENTITYTYPE=49:VERSION=225:Information=External face13:ElementType=718:BoundaryLabel=tang11:FaceSense=0 #
real_attrb-name_attrb-gen-attrb $-1 -1 $5509 $5111 $3451 lose lose lose keep @11 VF_FACEAREA 3.439999999999951 #
string_attrb-name_attrb-gen-attrb $-1 -1 $5510 $5112 $3968 custom custom ignore copy @9 _VF_DATA_ @68
12:ENTITYTYPE=49:VERSION=225:Information=Internal face11:FaceSense=1 #
integer_attrb-name_attrb-gen-attrb $-1 -1 $5511 $5113 $4426 lose lose ignore keep @15 VF_ID_NUM_LOCAL 79 #
string_attrb-name_attrb-gen-attrb $-1 -1 $5512 $5114 $3454 custom custom ignore copy @9 _VF_DATA_ @105
12:ENTITYTYPE=49:VERSION=225:Information=Internal face34:Information=paired face [layering]11:FaceSense=1 #
cface_ptr-ct-attrb $-1 -1 $-1 $5115 $2526 $5434 $2163 #
real_attrb-name_attrb-gen-attrb $-1 -1 $5513 $5116 $3460 lose lose lose keep @11 VF_FACEAREA 3.439999999999951 #
rgb_color-st-attrb $-1 -1 $-1 $5117 $2529 0.60000002384185791 0.60000002384185791 0.60000002384185791 #
string_attrb-name_attrb-gen-attrb $-1 -1 $5514 $5118 $3985 custom custom ignore copy @9 _VF_DATA_ @63
12:ENTITYTYPE=89:VERSION=234:Information=paired edge [layering] #
cface $5515 -1 $5516 $4600 $2166 1 #
real_attrb-name_attrb-gen-attrb $-1 -1 $5517 $5120 $2531 lose lose lose keep @11 VF_FACEAREA 935.14253265242542 #
cface_ptr-ct-attrb $-1 -1 $5518 $5121 $2959 $5227 $3978 #
pplist-eye-attrb $-1 -1 $5519 $5122 $4448 #
string_attrb-name_attrb-gen-attrb $-1 -1 $5520 $5123 $3993 custom custom ignore copy @9 _VF_DATA_ @63
12:ENTITYTYPE=89:VERSION=234:Information=paired edge [layering] #

```

```

string_attrib-name_attrib-gen-attrb $-1 -1 $5521 $5124 $4454 custom custom ignore copy @9 _VF_DATA_ @66
13:ENTITYTYPE=169:VERSION=236:Information=paired vertex [layering] #
plist-eye-attrb $-1 -1 $5522 $5125 $4455 #
integer_attrib-name_attrib-gen-attrb $-1 -1 $-1 $5126 $3473 lose lose ignore keep @15 VF_ID_NUM_LOCAL 142 #
integer_attrib-name_attrib-gen-attrb $-1 -1 $-1 $5127 $3999 lose lose ignore keep @15 VF_ID_NUM_LOCAL 81 #
string_attrib-name_attrib-gen-attrb $-1 -1 $-1 $5128 custom custom ignore copy @9 _VF_DATA_ @68
12:ENTITYTYPE=29:VERSION=36:Size=117:MaterialLabel=Air11:Potential=2 #
string_attrib-name_attrib-gen-attrb $-1 -1 $-1 $5131 custom custom ignore copy @9 _VF_DATA_ @68
12:ENTITYTYPE=29:VERSION=36:Size=117:MaterialLabel=Air11:Potential=2 #
rgb_color-st-attrb $-1 -1 $5523 $5132 $1803 0.60000002384185791 0.60000002384185791 0.60000002384185791 #
rgb_color-st-attrb $-1 -1 $-1 $5134 $2546 0.60000002384185791 0.60000002384185791 0.60000002384185791 #
cface $5524 -1 $5128 $3068 $2546 1 #
cface_ptr-ct-attrb $-1 -1 $5525 $5135 $2978 $3453 $4841 #
real_attrib-name_attrib-gen-attrb $-1 -1 $5526 $5136 $3487 lose lose lose keep @11 VF_FACEAREA 10.573622936633269 #
integer_attrib-name_attrib-gen-attrb $-1 -1 $-1 $5137 $3493 lose lose ignore keep @15 VF_ID_NUM_LOCAL 129 #
integer_attrib-name_attrib-gen-attrb $-1 -1 $-1 $5138 $3494 lose lose ignore keep @15 VF_ID_NUM_LOCAL 134 #
integer_attrib-name_attrib-gen-attrb $-1 -1 $-1 $5139 $3495 lose lose ignore keep @15 VF_ID_NUM_LOCAL 135 #
integer_attrib-name_attrib-gen-attrb $-1 -1 $-1 $5142 $3503 lose lose ignore keep @15 VF_ID_NUM_LOCAL 121 #
integer_attrib-name_attrib-gen-attrb $-1 -1 $-1 $5143 $1405 copy keep_all ignore copy @21 VF_PAIR_TRANSFDEFINED 3 #
string_attrib-name_attrib-gen-attrb $-1 -1 $-1 $5145 custom custom ignore copy @9 _VF_DATA_ @68
12:ENTITYTYPE=29:VERSION=36:Size=317:MaterialLabel=Air11:Potential=2 #
cface $5527 -1 $5528 $3444 $3968 0 #
rgb_color-st-attrb $-1 -1 $5529 $5147 $1823 0.60000002384185791 0.60000002384185791 0.60000002384185791 #
string_attrib-name_attrib-gen-attrb $-1 -1 $-1 $5151 custom custom ignore copy @9 _VF_DATA_ @86
12:ENTITYTYPE=29:VERSION=38:Size=0.517:MaterialLabel=Air11:Potential=213:ElementType=7 #
cface $5530 -1 $5531 $2945 $3681 0 #
string_attrib-name_attrib-gen-attrb $-1 -1 $-1 $5153 custom custom ignore copy @9 _VF_DATA_ @68
12:ENTITYTYPE=29:VERSION=36:Size=317:MaterialLabel=Air11:Potential=2 #
cface $5532 -1 $5533 $3444 $3778 0 #
string_attrib-name_attrib-gen-attrb $-1 -1 $-1 $5155 custom custom ignore copy @9 _VF_DATA_ @89
12:ENTITYTYPE=29:VERSION=36:Size=319:MaterialLabel=ferro11:Potential=516:VolumeLabel=pack #
cface $5534 -1 $5535 $4784 $5210 1 #
string_attrib-name_attrib-gen-attrb $-1 -1 $-1 $5157 custom custom ignore copy @9 _VF_DATA_ @89
12:ENTITYTYPE=29:VERSION=36:Size=319:MaterialLabel=ferro11:Potential=516:VolumeLabel=pack #
cface $5536 -1 $-1 $4784 $4248 1 #
string_attrib-name_attrib-gen-attrb $-1 -1 $-1 $5158 custom custom ignore copy @9 _VF_DATA_ @68
12:ENTITYTYPE=29:VERSION=36:Size=617:MaterialLabel=Air11:Potential=5 #
cface $5537 -1 $5538 $3956 $4535 0 #
cface_ptr-ct-attrb $-1 -1 $-1 $5159 $2587 $-1 $5539 #
string_attrib-name_attrib-gen-attrb $-1 -1 $5540 $5160 $3019 custom custom ignore copy @9 _VF_DATA_ @89
12:ENTITYTYPE=49:VERSION=225:Information=External face18:BoundaryLabel=tang11:FaceSense=0 #
rgb_color-st-attrb $-1 -1 $5541 $5161 $3529 0.60000002384185791 0.60000002384185791 0.60000002384185791 #
real_attrib-name_attrib-gen-attrb $-1 -1 $5542 $5162 $4052 lose lose lose keep @11 VF_FACEAREA 25600 #
integer_attrib-name_attrib-gen-attrb $-1 -1 $5543 $5163 $4497 lose lose ignore keep @15 VF_ID_NUM_LOCAL 34 #
plist-eye-attrb $-1 -1 $5544 $-1 $5166 #
vertex $5545 -1 -1 $-1 $5402 $5546 #
straight-curve $-1 -1 -1 $-1 80 80 80 0 0 -1 11 #
plist-eye-attrb $-1 -1 $5547 $-1 $5168 #
straight-curve $-1 -1 -1 $-1 80 40 160 0 -1 0 11 #
integer_attrib-name_attrib-gen-attrb $-1 -1 $-1 $5169 $4865 lose lose ignore keep @15 VF_ID_NUM_LOCAL 84 #
integer_attrib-name_attrib-gen-attrb $-1 -1 $-1 $5170 lose lose ignore keep @15 VF_ID_NUM_LOCAL 54 #
point $-1 -1 -1 $-1 80 80 160 #
integer_attrib-name_attrib-gen-attrb $-1 -1 $-1 $5171 lose lose ignore keep @15 VF_ID_NUM_LOCAL 49 #
point $-1 -1 -1 $-1 80 80 0 #
integer_attrib-name_attrib-gen-attrb $-1 -1 $-1 $5173 $4868 lose lose ignore keep @15 VF_ID_NUM_LOCAL 81 #
integer_attrib-name_attrib-gen-attrb $-1 -1 $-1 $5176 $4870 lose lose ignore keep @15 VF_ID_NUM_LOCAL 83 #
integer_attrib-name_attrib-gen-attrb $-1 -1 $-1 $5177 lose lose ignore keep @15 VF_ID_NUM_LOCAL 55 #
point $-1 -1 -1 $-1 80 0 160 #
edge $5548 -1 -1 $-1 $5389 -40 $5404 40 $5179 $5549 forward @7 unknown T 80 0 0 80 80 0 #
plist-eye-attrb $-1 -1 $5550 $-1 $5180 #
vertex $5551 -1 -1 $-1 $5180 $5552 #
straight-curve $-1 -1 -1 $-1 80 0 80 0 0 -1 11 #
plist-eye-attrb $-1 -1 $5553 $-1 $5187 #
straight-curve $-1 -1 -1 $-1 0 80 0 1 0 0 11 #
integer_attrib-name_attrib-gen-attrb $-1 -1 $-1 $5188 $4878 lose lose ignore keep @15 VF_ID_NUM_LOCAL 76 #
plist-eye-attrb $-1 -1 $5554 $-1 $5190 #
straight-curve $-1 -1 -1 $-1 80 0 80 0 0 -1 11 #
integer_attrib-name_attrib-gen-attrb $-1 -1 $-1 $5194 $4884 lose lose ignore keep @15 VF_ID_NUM_LOCAL 35 #
integer_attrib-name_attrib-gen-attrb $-1 -1 $-1 $5199 $4892 lose lose ignore keep @15 VF_ID_NUM_LOCAL 72 #
integer_attrib-name_attrib-gen-attrb $-1 -1 $-1 $5200 lose lose ignore keep @15 VF_ID_NUM_LOCAL 46 #
point $-1 -1 -1 $-1 48.902553611942238 29.150000000000041 47.534981229876706 #
integer_attrib-name_attrib-gen-attrb $-1 -1 $-1 $5202 $4895 lose lose ignore keep @15 VF_ID_NUM_LOCAL 73 #

```



```

ptlist-eye-attrb $-1 -1 $5555 $-1 $5204 #
ellipse-curve $-1 -1 $-1 -271.89999999999998 34.149999999999999 0 0 1 0 232.90000000000001 0 0 1 11 #
ptlist-eye-attrb $-1 -1 $5556 $-1 $5208 #
ellipse-curve $-1 -1 $-1 -193.89999999999998 34.149999999999999 0 0 1 0 0 232.90000000000001 0.9999999999999978 11 #
fmesh-eye-attrb $-1 -1 $5557 $5209 $4905 #
fctd_mark-eye-attrb $-1 -1 $5558 $-1 $5210 #
cone-surface $-1 -1 $-1 -271.89999999999998 34.149999999999999 0 -0.70710678118654746 -0.70710678118654746 0 0 0
232.90000000000001 0.70710678118654746 1 10 -1 232.90000000000001 forward 1 1 1 #
integer_attrb-name_attrb-gen-attrb $-1 -1 $-1 $5212 $4908 lose lose ignore keep @15 VF_ID_NUM_LOCAL 92 #
integer_attrb-name_attrb-gen-attrb $-1 -1 $-1 $5213 lose lose ignore keep @15 VF_ID_NUM_LOCAL 58 #
point $-1 -1 $-1 35.827642113708777 29.149999999999997 61.154696222063087 #
integer_attrb-name_attrb-gen-attrb $-1 -1 $5559 $5218 $4535 lose lose ignore keep @15 VF_ID_NUM_LOCAL 40 #
fmesh-eye-attrb $-1 -1 $5560 $5219 $4913 #
string_attrb-name_attrb-gen-attrb $-1 -1 $5561 $5221 $4080 custom custom ignore copy @9 _VF_DATA_ @87
12:ENTITYTYPE=49:VERSION=225:Information=Internal face16:FaceDirection=-111:FaceSense=0 #
fmesh-eye-attrb $-1 -1 $5562 $5222 $4086 #
real_attrb-name_attrb-gen-attrb $-1 -1 $5563 $5223 $3555 lose lose lose keep @11 VF_FACEAREA 3.3449525261679902 #
string_attrb-name_attrb-gen-attrb $-1 -1 $-1 $5225 custom custom ignore copy @9 _VF_DATA_ @68
12:ENTITYTYPE=29:VERSION=36:Size=317:MaterialLabel=Air11:Potential=2 #
cface $5564 -1 $5565 $3444 $2742 0 #
string_attrb-name_attrb-gen-attrb $-1 -1 $-1 $5227 custom custom ignore copy @9 _VF_DATA_ @68
12:ENTITYTYPE=29:VERSION=36:Size=117:MaterialLabel=Air11:Potential=2 #
cface $5566 -1 $5362 $3068 $2526 1 #
rgb_color-st-attrb $-1 -1 $5567 $5228 $1842 0.60000002384185791 0.60000002384185791 0.60000002384185791 #
cface $5568 -1 $-1 $4412 $1842 0 #
cface_ptr-ct-attrb $-1 -1 $-1 $5230 $2601 $-1 $5334 #
cface_ptr-ct-attrb $-1 -1 $5569 $5231 $3044 $5570 $5504 #
string_attrb-name_attrb-gen-attrb $-1 -1 $5571 $5232 $4099 custom custom ignore copy @9 _VF_DATA_ @63
12:ENTITYTYPE=89:VERSION=234:Information=paired edge [layering] #
ptlist-eye-attrb $-1 -1 $5572 $5233 $4567 #
integer_attrb-name_attrb-gen-attrb $-1 -1 $-1 $5234 $3574 lose lose ignore keep @15 VF_ID_NUM_LOCAL 151 #
integer_attrb-name_attrb-gen-attrb $-1 -1 $-1 $5235 $4106 lose lose ignore keep @15 VF_ID_NUM_LOCAL 86 #
integer_attrb-name_attrb-gen-attrb $-1 -1 $-1 $5236 $4107 lose lose ignore keep @15 VF_ID_NUM_LOCAL 88 #
integer_attrb-name_attrb-gen-attrb $-1 -1 $-1 $5237 $3577 lose lose ignore keep @15 VF_ID_NUM_LOCAL 169 #
integer_attrb-name_attrb-gen-attrb $-1 -1 $-1 $5238 $3578 lose lose ignore keep @15 VF_ID_NUM_LOCAL 166 #
string_attrb-name_attrb-gen-attrb $-1 -1 $5573 $5243 $4132 custom custom ignore copy @9 _VF_DATA_ @63
12:ENTITYTYPE=89:VERSION=234:Information=paired edge [layering] #
integer_attrb-name_attrb-gen-attrb $-1 -1 $-1 $5244 $3593 lose lose ignore keep @15 VF_ID_NUM_LOCAL 156 #
integer_attrb-name_attrb-gen-attrb $-1 -1 $-1 $5245 $4134 lose lose ignore keep @15 VF_ID_NUM_LOCAL 91 #
integer_attrb-name_attrb-gen-attrb $-1 -1 $-1 $5246 $3595 lose lose ignore keep @15 VF_ID_NUM_LOCAL 153 #
integer_attrb-name_attrb-gen-attrb $-1 -1 $-1 $5247 $4138 lose lose ignore keep @15 VF_ID_NUM_LOCAL 89 #
string_attrb-name_attrb-gen-attrb $-1 -1 $5574 $5248 $3597 custom custom ignore copy @9 _VF_DATA_ @105
12:ENTITYTYPE=49:VERSION=225:Information=Internal face34:Information=paired face [layering]11:FaceSense=1 #
string_attrb-name_attrb-gen-attrb $-1 -1 $-1 $5250 custom custom ignore copy @9 _VF_DATA_ @68
12:ENTITYTYPE=29:VERSION=36:Size=117:MaterialLabel=Air11:Potential=2 #
string_attrb-name_attrb-gen-attrb $-1 -1 $-1 $5252 custom custom ignore copy @9 _VF_DATA_ @68
12:ENTITYTYPE=29:VERSION=36:Size=117:MaterialLabel=Air11:Potential=2 #
cface $5575 -1 $5576 $4600 $3651 1 #
integer_attrb-name_attrb-gen-attrb $-1 -1 $-1 $5259 $4976 lose lose ignore keep @15 VF_ID_NUM_LOCAL 91 #
ptlist-eye-attrb $-1 -1 $5577 $-1 $5261 #
straight-curve $-1 -1 $-1 0 0 0 -1 0 0 11 #
string_attrb-name_attrb-gen-attrb $-1 -1 $5578 $5264 $3625 custom custom ignore copy @9 _VF_DATA_ @108
12:ENTITYTYPE=49:VERSION=225:Information=External face18:BoundaryLabel=tang16:FaceDirection=-111:FaceSense=1 #
real_attrb-name_attrb-gen-attrb $-1 -1 $5579 $5265 $4176 lose lose lose keep @11 VF_FACEAREA 856.16574710888199 #
rgb_color-st-attrb $-1 -1 $-1 $5268 $2633 0.60000002384185791 0.60000002384185791 0.60000002384185791 #
cface_ptr-ct-attrb $-1 -1 $5580 $5269 $3106 $5581 $5582 #
real_attrb-name_attrb-gen-attrb $-1 -1 $5583 $5270 $3651 lose lose lose keep @11 VF_FACEAREA 914.74647437939279 #
string_attrb-name_attrb-gen-attrb $-1 -1 $5584 $5271 $4190 custom custom ignore copy @9 _VF_DATA_ @87
12:ENTITYTYPE=49:VERSION=225:Information=Internal face16:FaceDirection=-111:FaceSense=0 #
integer_attrb-name_attrb-gen-attrb $-1 -1 $-1 $5274 $3679 lose lose ignore keep @15 VF_ID_NUM_LOCAL 172 #
string_attrb-name_attrb-gen-attrb $-1 -1 $5585 $5275 $3681 custom custom ignore copy @9 _VF_DATA_ @105
12:ENTITYTYPE=49:VERSION=225:Information=External face13:ElementType=718:BoundaryLabel=tang11:FaceSense=0 #
cface $5586 -1 $-1 $4600 $2264 0 #
integer_attrb-name_attrb-gen-attrb $-1 -1 $-1 $5277 $4223 lose lose ignore keep @15 VF_ID_NUM_LOCAL 82 #
rgb_color-st-attrb $-1 -1 $5587 $5279 $3145 0.60000002384185791 0.60000002384185791 0.60000002384185791 #
integer_attrb-name_attrb-gen-attrb $-1 -1 $-1 $5281 $5018 lose lose ignore keep @15 VF_ID_NUM_LOCAL 96 #
fmesh-eye-attrb $-1 -1 $5588 $5283 $5020 #
string_attrb-name_attrb-gen-attrb $-1 -1 $5589 $5286 $4248 custom custom ignore copy @9 _VF_DATA_ @68
12:ENTITYTYPE=49:VERSION=225:Information=Internal face11:FaceSense=1 #
integer_attrb-name_attrb-gen-attrb $-1 -1 $5590 $5287 $4688 lose lose ignore keep @15 VF_ID_NUM_LOCAL 35 #
fmesh-eye-attrb $-1 -1 $5591 $5288 $5027 #
real_attrb-name_attrb-gen-attrb $-1 -1 $5592 $5291 $4260 lose lose lose keep @11 VF_FACEAREA 665.48973721827315 #

```

```

integer_attr-name_attr-gen-attr $-1 -1 $-1 $5292 $4267 lose lose ignore keep @15 VF_ID_NUM_LOCAL 87 #
integer_attr-name_attr-gen-attr $-1 -1 $-1 $5294 $3750 lose lose ignore keep @15 VF_ID_NUM_LOCAL 175 #
string_attr-name_attr-gen-attr $-1 -1 $5593 $5295 $3752 custom custom ignore copy @9 _VF_DATA_ @68
12:ENTITYTYPE=49:VERSION=225:Information=Internal face11:FaceSense=0 #
string_attr-name_attr-gen-attr $-1 -1 $5594 $5296 $4285 custom custom ignore copy @9 _VF_DATA_ @68
12:ENTITYTYPE=49:VERSION=225:Information=Internal face11:FaceSense=1 #
cface_ptr-ct-attr $-1 -1 $5595 $5297 $3204 $5252 $5596 #
real_attr-name_attr-gen-attr $-1 -1 $5597 $5298 $3769 lose lose lose keep @11 VF_FACEAREA 1001.0557403483024 #
cface_ptr-ct-attr $-1 -1 $-1 $5300 $2706 $5103 $5225 #
rgb_color-st-attr $-1 -1 $5598 $5301 $3214 0.60000002384185791 0.60000002384185791 0.60000002384185791 #
real_attr-name_attr-gen-attr $-1 -1 $5599 $5302 $3778 lose lose lose keep @11 VF_FACEAREA 766.15733870260226 #
string_attr-name_attr-gen-attr $-1 -1 $5600 $5304 $4311 custom custom ignore copy @9 _VF_DATA_ @63
12:ENTITYTYPE=89:VERSION=234:Information=paired edge [layering] #
string_attr-name_attr-gen-attr $-1 -1 $5601 $5309 $4322 custom custom ignore copy @9 _VF_DATA_ @68
12:ENTITYTYPE=49:VERSION=225:Information=Internal face11:FaceSense=1 #
real_attr-name_attr-gen-attr $-1 -1 $5602 $5310 $3802 lose lose lose keep @11 VF_FACEAREA 1185.005570548271 #
integer_attr-name_attr-gen-attr $-1 -1 $-1 $5311 $5067 lose lose ignore keep @15 VF_ID_NUM_LOCAL 98 #
real_attr-name_attr-gen-attr $-1 -1 $5603 $5313 $4338 lose lose lose keep @11 VF_FACEAREA 11.376684933998627 #
integer_attr-name_attr-gen-attr $-1 -1 $5604 $5314 $4752 lose lose ignore keep @15 VF_ID_NUM_LOCAL 22 #
integer_attr-name_attr-gen-attr $-1 -1 $-1 $5315 $3818 lose lose ignore keep @15 VF_ID_NUM_LOCAL 178 #
real_attr-name_attr-gen-attr $-1 -1 $5605 $5316 $3820 lose lose lose keep @11 VF_FACEAREA 6.8260109603991754 #
cface_ptr-ct-attr $-1 -1 $5606 $5318 $3261 $4961 $5502 #
cface $5607 -1 $5608 $4784 $2316 1 #
rgb_color-st-attr $-1 -1 $-1 $5321 $2738 0.54901963472366333 0.90196079015731812 0.019607843831181526 #
cface $5609 -1 $5610 $4784 $2738 1 #
cface_ptr-ct-attr $-1 -1 $5611 $5322 $3271 $5610 $3445 #
real_attr-name_attr-gen-attr $-1 -1 $5612 $5323 $3839 lose lose lose keep @11 VF_FACEAREA 311.83604212576586 #
cface_ptr-ct-attr $-1 -1 $-1 $5326 $2742 $-1 $5432 #
string_attr-name_attr-gen-attr $-1 -1 $5613 $5327 $0 keep keep_ignored copy @14 VF_COLOUR_DATA @40
8:NAME=1989:VERSION=28:List=Psi7:Label=0 #
string_attr-name_attr-gen-attr $-1 -1 $5614 $5330 $40 keep keep_ignored copy @14 VF_COLOUR_DATA @73
8:NAME=1649:VERSION=216:List=Information30:Label=paired vertex [layering] #
string_attr-name_attr-gen-attr $-1 -1 $-1 $5332 custom custom ignore copy @9 _VF_DATA_ @89
12:ENTITYTYPE=29:VERSION=36:Size=319:MaterialLabel=ferro11:Potential=516:VolumeLabel=pack #
cface $5615 -1 $5616 $4784 $3261 0 #
string_attr-name_attr-gen-attr $-1 -1 $-1 $5334 custom custom ignore copy @9 _VF_DATA_ @86
12:ENTITYTYPE=29:VERSION=38:Size=0.517:MaterialLabel=Air11:Potential=213:ElementType=7 #
cface $5617 -1 $5618 $4412 $3044 0 #
string_attr-name_attr-gen-attr $-1 -1 $-1 $5336 custom custom ignore copy @9 _VF_DATA_ @68
12:ENTITYTYPE=29:VERSION=36:Size=617:MaterialLabel=Air11:Potential=5 #
real_attr-name_attr-gen-attr $-1 -1 $5619 $5338 $3961 lose lose lose keep @11 VF_FACEAREA 3.3449525261679898 #
rgb_color-st-attr $-1 -1 $5620 $5339 $3448 0.60000002384185791 0.60000002384185791 0.60000002384185791 #
real_attr-name_attr-gen-attr $-1 -1 $5621 $5340 $3963 lose lose lose keep @11 VF_FACEAREA 3.4400000000000031 #
cface_ptr-ct-attr $-1 -1 $5622 $5341 $3451 $-1 $2948 #
real_attr-name_attr-gen-attr $-1 -1 $5623 $5342 $3968 lose lose lose keep @11 VF_FACEAREA 3.3449525261680493 #
string_attr-name_attr-gen-attr $-1 -1 $5624 $5343 $4426 custom custom ignore copy @9 _VF_DATA_ @68
12:ENTITYTYPE=49:VERSION=225:Information=Internal face11:FaceSense=0 #
integer_attr-name_attr-gen-attr $-1 -1 $5625 $5344 $3454 lose lose ignore keep @15 VF_ID_NUM_LOCAL 70 #
cface_ptr-ct-attr $-1 -1 $5626 $5346 $3460 $-1 $2954 #
integer_attr-name_attr-gen-attr $-1 -1 $-1 $5348 $3985 lose lose ignore keep @15 VF_ID_NUM_LOCAL 140 #
string_attr-name_attr-gen-attr $-1 -1 $-1 $5349 custom custom ignore copy @9 _VF_DATA_ @68
12:ENTITYTYPE=29:VERSION=36:Size=117:MaterialLabel=Air11:Potential=2 #
cface $5627 -1 $5628 $4600 $4426 1 #
cface_ptr-ct-attr $-1 -1 $5629 $5350 $2531 $2528 $4423 #
rgb_color-st-attr $-1 -1 $-1 $5351 $2959 0.60000002384185791 0.60000002384185791 0.60000002384185791 #
string_attr-name_attr-gen-attr $-1 -1 $5630 $5352 $4448 custom custom ignore copy @9 _VF_DATA_ @63
12:ENTITYTYPE=89:VERSION=234:Information=paired edge [layering] #
integer_attr-name_attr-gen-attr $-1 -1 $-1 $5353 $3993 lose lose ignore keep @15 VF_ID_NUM_LOCAL 148 #
integer_attr-name_attr-gen-attr $-1 -1 $-1 $5354 $4454 lose lose ignore keep @15 VF_ID_NUM_LOCAL 85 #
string_attr-name_attr-gen-attr $-1 -1 $5631 $5355 $4455 custom custom ignore copy @9 _VF_DATA_ @63
12:ENTITYTYPE=89:VERSION=234:Information=paired edge [layering] #
integer_attr-name_attr-gen-attr $-1 -1 $-1 $5360 $1803 copy keep_all ignore copy @21 VF_PAIR_TRANSFDEFINED 5 #
string_attr-name_attr-gen-attr $-1 -1 $-1 $5362 custom custom ignore copy @9 _VF_DATA_ @68
12:ENTITYTYPE=29:VERSION=36:Size=117:MaterialLabel=Air11:Potential=2 #
rgb_color-st-attr $-1 -1 $-1 $5363 $2978 0.60000002384185791 0.60000002384185791 0.60000002384185791 #
rgb_color-st-attr $-1 -1 $5632 $5364 $3487 0.60000002384185791 0.60000002384185791 0.60000002384185791 #
string_attr-name_attr-gen-attr $-1 -1 $-1 $5371 custom custom ignore copy @9 _VF_DATA_ @68
12:ENTITYTYPE=29:VERSION=36:Size=317:MaterialLabel=Air11:Potential=2 #
cface $5633 -1 $5634 $3444 $3961 0 #
integer_attr-name_attr-gen-attr $-1 -1 $-1 $5372 $1823 copy keep_all ignore copy @21 VF_PAIR_TRANSFDEFINED 4 #
string_attr-name_attr-gen-attr $-1 -1 $-1 $5374 custom custom ignore copy @9 _VF_DATA_ @86
12:ENTITYTYPE=29:VERSION=38:Size=0.517:MaterialLabel=Air11:Potential=213:ElementType=7 #

```

```

cface $5635 -1 $5636 $2945 $4086 0 #
string_attrib-name_attrib-gen-attr $-1 -1 $-1 $-1 $5376 custom custom ignore copy @9_VF_DATA_ @68
12:ENTITYTYPE=29:VERSION=36:Size=317:MaterialLabel=Air11:Potential=2 #
cface $5637 -1 $5080 $3444 $4322 0 #
string_attrib-name_attrib-gen-attr $-1 -1 $-1 $-1 $5378 custom custom ignore copy @9_VF_DATA_ @89
12:ENTITYTYPE=29:VERSION=36:Size=319:MaterialLabel=ferro11:Potential=516:VolumeLabel=pack #
cface $5638 -1 $5639 $4784 $5020 1 #
string_attrib-name_attrib-gen-attr $-1 -1 $-1 $-1 $5380 custom custom ignore copy @9_VF_DATA_ @89
12:ENTITYTYPE=29:VERSION=36:Size=319:MaterialLabel=ferro11:Potential=516:VolumeLabel=pack #
string_attrib-name_attrib-gen-attr $-1 -1 $-1 $-1 $5382 custom custom ignore copy @9_VF_DATA_ @68
12:ENTITYTYPE=29:VERSION=36:Size=617:MaterialLabel=Air11:Potential=5 #
cface $5640 -1 $5641 $3956 $3778 1 #
cface $5642 -1 $5643 $3956 $2587 0 #
cface_ptr-ct-attr $-1 -1 $-1 $5384 $3019 $-1 $5644 #
string_attrib-name_attrib-gen-attr $-1 -1 $5645 $5385 $3529 custom custom ignore copy @9_VF_DATA_ @89
12:ENTITYTYPE=49:VERSION=225:Information=External face18:BoundaryLabel=tang11:FaceSense=1 #
rgb_color-st-attr $-1 -1 $5646 $5386 $4052 0.60000002384185791 0.60000002384185791 0.60000002384185791 #
real_attrib-name_attrib-gen-attr $-1 -1 $5647 $5387 $4497 lose lose lose keep @11_VF_FACEAREA 12800 #
integer_attrib-name_attrib-gen-attr $-1 -1 $-1 $5388 $5166 lose lose ignore keep @15_VF_ID_NUM_LOCAL 86 #
integer_attrib-name_attrib-gen-attr $-1 -1 $-1 $-1 $5389 lose lose ignore keep @15_VF_ID_NUM_LOCAL 50 #
point $-1 -1 -1 $-1 80 80 0 #
integer_attrib-name_attrib-gen-attr $-1 -1 $-1 $5391 $5168 lose lose ignore keep @15_VF_ID_NUM_LOCAL 82 #
plist-eye-attr $-1 -1 $5648 $-1 $5402 #
straight-curve $-1 -1 -1 $-1 80 40 0 0 -1 0 11 #
integer_attrib-name_attrib-gen-attr $-1 -1 $-1 $5403 $5180 lose lose ignore keep @15_VF_ID_NUM_LOCAL 87 #
integer_attrib-name_attrib-gen-attr $-1 -1 $-1 $-1 $5404 lose lose ignore keep @15_VF_ID_NUM_LOCAL 51 #
point $-1 -1 -1 $-1 80 0 0 #
integer_attrib-name_attrib-gen-attr $-1 -1 $-1 $5406 $5187 lose lose ignore keep @15_VF_ID_NUM_LOCAL 77 #
integer_attrib-name_attrib-gen-attr $-1 -1 $-1 $5409 $5190 lose lose ignore keep @15_VF_ID_NUM_LOCAL 85 #
integer_attrib-name_attrib-gen-attr $-1 -1 $-1 $5416 $5204 lose lose ignore keep @15_VF_ID_NUM_LOCAL 95 #
integer_attrib-name_attrib-gen-attr $-1 -1 $-1 $5418 $5208 lose lose ignore keep @15_VF_ID_NUM_LOCAL 93 #
integer_attrib-name_attrib-gen-attr $-1 -1 $5649 $5420 $4905 lose lose ignore keep @15_VF_ID_NUM_LOCAL 37 #
fmesh-eye-attr $-1 -1 $5650 $5421 $5210 #
string_attrib-name_attrib-gen-attr $-1 -1 $5651 $5426 $4535 custom custom ignore copy @9_VF_DATA_ @68
12:ENTITYTYPE=49:VERSION=225:Information=Internal face11:FaceSense=1 #
integer_attrib-name_attrib-gen-attr $-1 -1 $5652 $5427 $4913 lose lose ignore keep @15_VF_ID_NUM_LOCAL 41 #
real_attrib-name_attrib-gen-attr $-1 -1 $5653 $5428 $4080 lose lose lose keep @11_VF_FACEAREA 1029.9293477735935 #
string_attrib-name_attrib-gen-attr $-1 -1 $5654 $5429 $4086 custom custom ignore copy @9_VF_DATA_ @105
12:ENTITYTYPE=49:VERSION=225:Information=Internal face34:Information=paired face [layering]11:FaceSense=1 #
rgb_color-st-attr $-1 -1 $5655 $5430 $3555 0.60000002384185791 0.60000002384185791 0.60000002384185791 #
string_attrib-name_attrib-gen-attr $-1 -1 $-1 $-1 $5432 custom custom ignore copy @9_VF_DATA_ @68
12:ENTITYTYPE=29:VERSION=36:Size=317:MaterialLabel=Air11:Potential=2 #
cface $5656 -1 $5657 $3444 $4248 0 #
string_attrib-name_attrib-gen-attr $-1 -1 $-1 $-1 $5434 custom custom ignore copy @9_VF_DATA_ @68
12:ENTITYTYPE=29:VERSION=36:Size=117:MaterialLabel=Air11:Potential=2 #
integer_attrib-name_attrib-gen-attr $-1 -1 $-1 $5435 $1842 copy keep_all ignore copy @21_VF_PAIR_TRANSFDEFINED 9 #
string_attrib-name_attrib-gen-attr $-1 -1 $-1 $-1 $5436 custom custom ignore copy @9_VF_DATA_ @86
12:ENTITYTYPE=29:VERSION=38:Size=0.517:MaterialLabel=Air11:Potential=213:ElementType=7 #
rgb_color-st-attr $-1 -1 $-1 $5438 $3044 0.60000002384185791 0.60000002384185791 0.60000002384185791 #
cface $5658 -1 $5659 $4600 $3044 1 #
integer_attrib-name_attrib-gen-attr $-1 -1 $-1 $5439 $4099 lose lose ignore keep @15_VF_ID_NUM_LOCAL 170 #
string_attrib-name_attrib-gen-attr $-1 -1 $5660 $5440 $4567 custom custom ignore copy @9_VF_DATA_ @63
12:ENTITYTYPE=89:VERSION=234:Information=paired edge [layering] #
integer_attrib-name_attrib-gen-attr $-1 -1 $-1 $5446 $4132 lose lose ignore keep @15_VF_ID_NUM_LOCAL 158 #
integer_attrib-name_attrib-gen-attr $-1 -1 $5661 $5451 $3597 lose lose ignore keep @15_VF_ID_NUM_LOCAL 80 #
string_attrib-name_attrib-gen-attr $-1 -1 $-1 $-1 $5454 custom custom ignore copy @9_VF_DATA_ @68
12:ENTITYTYPE=29:VERSION=36:Size=117:MaterialLabel=Air11:Potential=2 #
cface $5662 -1 $5581 $4600 $4190 1 #
integer_attrib-name_attrib-gen-attr $-1 -1 $-1 $5456 $5261 lose lose ignore keep @15_VF_ID_NUM_LOCAL 79 #
cface_ptr-ct-attr $-1 -1 $5663 $5458 $3625 $-1 $5664 #
string_attrib-name_attrib-gen-attr $-1 -1 $5665 $5459 $4176 custom custom ignore copy @9_VF_DATA_ @89
12:ENTITYTYPE=49:VERSION=225:Information=External face18:BoundaryLabel=norm11:FaceSense=1 #
rgb_color-st-attr $-1 -1 $-1 $5461 $3106 0.54901963472366333 0.90196079015731812 0.019607843831181526 #
cface $5666 -1 $5667 $4600 $3106 1 #
cface $5668 -1 $5157 $4784 $3106 0 #
cface_ptr-ct-attr $-1 -1 $5669 $5462 $3651 $5454 $5670 #
real_attrib-name_attrib-gen-attr $-1 -1 $5671 $5463 $4190 lose lose lose keep @11_VF_FACEAREA 861.67138876011632 #
rgb_color-st-attr $-1 -1 $5672 $5465 $3681 0.60000002384185791 0.60000002384185791 0.60000002384185791 #
string_attrib-name_attrib-gen-attr $-1 -1 $-1 $-1 $5466 custom custom ignore copy @9_VF_DATA_ @68
12:ENTITYTYPE=29:VERSION=36:Size=117:MaterialLabel=Air11:Potential=2 #
cface_ptr-ct-attr $-1 -1 $-1 $5468 $3145 $-1 $5667 #
integer_attrib-name_attrib-gen-attr $-1 -1 $5673 $5470 $5020 lose lose ignore keep @15_VF_ID_NUM_LOCAL 39 #

```

```

real_attrib-name_attrib-gen-attrib $-1 -1 $5674 $5471 $4248 lose lose lose keep @11 VF_FACEAREA 12.280921438222588 #
real_attrib-name_attrib-gen-attrib $-1 -1 $5675 $5472 $4688 lose lose lose keep @11 VF_FACEAREA 18456.717224281416 #
integer_attrib-name_attrib-gen-attrib $-1 -1 $5676 $5473 $5027 lose lose ignore keep @15 VF_ID_NUM_LOCAL 36 #
string_attrib-name_attrib-gen-attrib $-1 -1 $5677 $5474 $4260 custom custom ignore copy @9_VF_DATA_@89
12:ENTITYTYPE=49:VERSION=225:Information=External face18:BoundaryLabel=norm11:FaceSense=1 #
cface_ptr-ct-attrib $-1 -1 $5678 $5477 $3752 $5659 $5105 #
real_attrib-name_attrib-gen-attrib $-1 -1 $5679 $5478 $4285 lose lose lose keep @11 VF_FACEAREA 307.83261254032186 #
rgb_color-st-attrib $-1 -1 $-1 $5479 $3204 0.54901963472366333 0.90196079015731812 0.019607843831181526 #
cface $5680 -1 $5681 $4784 $3204 0 #
cface_ptr-ct-attrib $-1 -1 $5682 $5480 $3769 $4595 $5616 #
cface_ptr-ct-attrib $-1 -1 $-1 $5482 $3214 $5336 $5657 #
rgb_color-st-attrib $-1 -1 $5683 $5483 $3778 0.60000002384185791 0.60000002384185791 0.60000002384185791 #
integer_attrib-name_attrib-gen-attrib $-1 -1 $-1 $5484 $4311 lose lose ignore keep @15 VF_ID_NUM_LOCAL 143 #
real_attrib-name_attrib-gen-attrib $-1 -1 $5684 $5485 $4322 lose lose lose keep @11 VF_FACEAREA 0.67398512441444669 #
cface_ptr-ct-attrib $-1 -1 $5685 $5486 $3802 $3604 $5686 #
string_attrib-name_attrib-gen-attrib $-1 -1 $5687 $5488 $4338 custom custom ignore copy @9_VF_DATA_@68
12:ENTITYTYPE=49:VERSION=225:Information=Internal face11:FaceSense=0 #
string_attrib-name_attrib-gen-attrib $-1 -1 $5688 $5489 $4752 custom custom ignore copy @9_VF_DATA_@68
12:ENTITYTYPE=49:VERSION=225:Information=Internal face11:FaceSense=0 #
rgb_color-st-attrib $-1 -1 $5689 $5491 $3820 0.60000002384185791 0.60000002384185791 0.60000002384185791 #
rgb_color-st-attrib $-1 -1 $-1 $5492 $3261 0.54901963472366333 0.90196079015731812 0.019607843831181526 #
string_attrib-name_attrib-gen-attrib $-1 -1 $-1 $5493 custom custom ignore copy @9_VF_DATA_@89
12:ENTITYTYPE=29:VERSION=36:Size=319:MaterialLabel=ferro11:Potential=516:VolumeLabel=pack #
cface $5690 -1 $5691 $4784 $4080 0 #
string_attrib-name_attrib-gen-attrib $-1 -1 $-1 $5495 custom custom ignore copy @9_VF_DATA_@89
12:ENTITYTYPE=29:VERSION=36:Size=319:MaterialLabel=ferro11:Potential=516:VolumeLabel=pack #
cface $5692 -1 $5493 $4784 $3271 1 #
rgb_color-st-attrib $-1 -1 $-1 $5496 $3271 0.54901963472366333 0.90196079015731812 0.019607843831181526 #
cface_ptr-ct-attrib $-1 -1 $5693 $5497 $3839 $5332 $5151 #
string_attrib-name_attrib-gen-attrib $-1 -1 $5694 $5499 $0 keep keep_ignored ignore copy @14 VF_COLOUR_DATA @40
8:NAME=1979:VERSION=28:List=Phi7:Label=0 #
string_attrib-name_attrib-gen-attrib $-1 -1 $5695 $5500 $40 keep keep_ignored ignore copy @14 VF_COLOUR_DATA @71
8:NAME=1639:VERSION=216:List=Information28:Label=paired edge [layering] #
string_attrib-name_attrib-gen-attrib $-1 -1 $-1 $5502 custom custom ignore copy @9_VF_DATA_@89
12:ENTITYTYPE=29:VERSION=36:Size=319:MaterialLabel=ferro11:Potential=516:VolumeLabel=pack #
cface $5696 -1 $5686 $4784 $3769 0 #
string_attrib-name_attrib-gen-attrib $-1 -1 $-1 $5504 custom custom ignore copy @9_VF_DATA_@86
12:ENTITYTYPE=29:VERSION=38:Size=0.517:MaterialLabel=Air11:Potential=213:ElementType=7 #
cface $5697 -1 $5436 $4412 $3555 1 #
cface_ptr-ct-attrib $-1 -1 $5698 $5506 $3961 $3447 $5528 #
cface_ptr-ct-attrib $-1 -1 $-1 $5507 $3448 $5628 $2946 #
cface_ptr-ct-attrib $-1 -1 $5699 $5508 $3963 $-1 $4417 #
rgb_color-st-attrib $-1 -1 $-1 $5509 $3451 0.60000002384185791 0.60000002384185791 0.60000002384185791 #
cface_ptr-ct-attrib $-1 -1 $5700 $5510 $3968 $3966 $5371 #
real_attrib-name_attrib-gen-attrib $-1 -1 $5701 $5511 $4426 lose lose lose keep @11 VF_FACEAREA 10.573622936633269 #
real_attrib-name_attrib-gen-attrib $-1 -1 $5702 $5512 $3454 lose lose lose keep @11 VF_FACEAREA 935.14253265242542 #
rgb_color-st-attrib $-1 -1 $-1 $5513 $3460 0.60000002384185791 0.60000002384185791 0.60000002384185791 #
string_attrib-name_attrib-gen-attrib $-1 -1 $-1 $5516 custom custom ignore copy @9_VF_DATA_@68
12:ENTITYTYPE=29:VERSION=36:Size=117:MaterialLabel=Air11:Potential=2 #
cface $5703 -1 $5570 $4600 $3448 1 #
rgb_color-st-attrib $-1 -1 $5704 $5517 $2531 0.60000002384185791 0.60000002384185791 0.60000002384185791 #
integer_attrib-name_attrib-gen-attrib $-1 -1 $-1 $5519 $4448 lose lose ignore keep @15 VF_ID_NUM_LOCAL 150 #
integer_attrib-name_attrib-gen-attrib $-1 -1 $-1 $5522 $4455 lose lose ignore keep @15 VF_ID_NUM_LOCAL 137 #
cface_ptr-ct-attrib $-1 -1 $-1 $5526 $3487 $5131 $4431 #
string_attrib-name_attrib-gen-attrib $-1 -1 $-1 $5528 custom custom ignore copy @9_VF_DATA_@68
12:ENTITYTYPE=29:VERSION=36:Size=317:MaterialLabel=Air11:Potential=2 #
cface $5705 -1 $4849 $3444 $3555 0 #
string_attrib-name_attrib-gen-attrib $-1 -1 $-1 $5531 custom custom ignore copy @9_VF_DATA_@86
12:ENTITYTYPE=29:VERSION=38:Size=0.517:MaterialLabel=Air11:Potential=213:ElementType=7 #
cface $5706 -1 $-1 $2945 $3820 0 #
string_attrib-name_attrib-gen-attrib $-1 -1 $-1 $5533 custom custom ignore copy @9_VF_DATA_@68
12:ENTITYTYPE=29:VERSION=36:Size=317:MaterialLabel=Air11:Potential=2 #
string_attrib-name_attrib-gen-attrib $-1 -1 $-1 $5535 custom custom ignore copy @9_VF_DATA_@89
12:ENTITYTYPE=29:VERSION=36:Size=319:MaterialLabel=ferro11:Potential=516:VolumeLabel=pack #
cface $5707 -1 $5582 $4784 $4260 0 #
string_attrib-name_attrib-gen-attrib $-1 -1 $-1 $5538 custom custom ignore copy @9_VF_DATA_@68
12:ENTITYTYPE=29:VERSION=36:Size=617:MaterialLabel=Air11:Potential=5 #
cface $5708 -1 $5709 $3956 $5210 0 #
string_attrib-name_attrib-gen-attrib $-1 -1 $-1 $5539 custom custom ignore copy @9_VF_DATA_@68
12:ENTITYTYPE=29:VERSION=36:Size=617:MaterialLabel=Air11:Potential=5 #
cface $5710 -1 $5711 $3956 $4497 0 #
cface $5712 -1 $5713 $3956 $3019 0 #

```

cface_ptr-ct-attrb \$-1 -1 \$-1 \$5541 \$3529 \$-1 \$5713 #
 string_attrb-name_attrb-gen-attrb \$-1 -1 \$5714 \$5542 \$4052 custom custom ignore copy @9_VF_DATA_@89
 12:ENTITYTYPE=49:VERSION=225:Information=External face18:BoundaryLabel=tang11:FaceSense=1 #
 rgb_color-st-attrb \$-1 -1 \$5715 \$5543 \$4497 0.60000002384185791 0.60000002384185791 0.60000002384185791 #
 integer_attrb-name_attrb-gen-attrb \$-1 -1 \$-1 \$5548 \$5402 lose lose ignore keep @15_VF_ID_NUM_LOCAL 78 #
 string_attrb-name_attrb-gen-attrb \$-1 -1 \$5716 \$5557 \$4905 custom custom ignore copy @9_VF_DATA_@68
 12:ENTITYTYPE=49:VERSION=225:Information=Internal face11:FaceSense=1 #
 integer_attrb-name_attrb-gen-attrb \$-1 -1 \$5717 \$5558 \$5210 lose lose ignore keep @15_VF_ID_NUM_LOCAL 38 #
 real_attrb-name_attrb-gen-attrb \$-1 -1 \$5718 \$5559 \$4535 lose lose lose keep @11_VF_FACEAREA 464.92601487558682 #
 string_attrb-name_attrb-gen-attrb \$-1 -1 \$5719 \$5560 \$4913 custom custom ignore copy @9_VF_DATA_@87
 12:ENTITYTYPE=49:VERSION=225:Information=Internal face16:FaceDirection=-111:FaceSense=1 #
 rgb_color-st-attrb \$-1 -1 \$5720 \$5561 \$4080 0.54901963472366333 0.90196079015731812 0.019607843831181526 #
 integer_attrb-name_attrb-gen-attrb \$-1 -1 \$5721 \$5562 \$4086 lose lose ignore keep @15_VF_ID_NUM_LOCAL 90 #
 cface_ptr-ct-attrb \$-1 -1 \$-1 \$5563 \$3555 \$5618 \$5634 #
 string_attrb-name_attrb-gen-attrb \$-1 -1 \$-1 \$5565 custom custom ignore copy @9_VF_DATA_@68
 12:ENTITYTYPE=29:VERSION=36:Size=317:MaterialLabel=Air11:Potential=2 #
 cface \$5722 -1 \$-1 \$3444 \$3214 0 #
 string_attrb-name_attrb-gen-attrb \$-1 -1 \$-1 \$5570 custom custom ignore copy @9_VF_DATA_@68
 12:ENTITYTYPE=29:VERSION=36:Size=117:MaterialLabel=Air11:Potential=2 #
 cface \$5723 -1 \$5466 \$4600 \$3752 1 #
 integer_attrb-name_attrb-gen-attrb \$-1 -1 \$-1 \$5572 \$4567 lose lose ignore keep @15_VF_ID_NUM_LOCAL 145 #
 real_attrb-name_attrb-gen-attrb \$-1 -1 \$5724 \$5574 \$3597 lose lose lose keep @11_VF_FACEAREA 935.14253265242542 #
 string_attrb-name_attrb-gen-attrb \$-1 -1 \$-1 \$5576 custom custom ignore copy @9_VF_DATA_@68
 12:ENTITYTYPE=29:VERSION=36:Size=117:MaterialLabel=Air11:Potential=2 #
 rgb_color-st-attrb \$-1 -1 \$-1 \$5578 \$3625 0.54901963472366333 0.90196079015731812 0.019607843831181526 #
 cface \$5725 -1 \$4851 \$4784 \$3625 0 #
 cface_ptr-ct-attrb \$-1 -1 \$5726 \$5579 \$4176 \$-1 \$5727 #
 string_attrb-name_attrb-gen-attrb \$-1 -1 \$-1 \$5581 custom custom ignore copy @9_VF_DATA_@68
 12:ENTITYTYPE=29:VERSION=36:Size=117:MaterialLabel=Air11:Potential=2 #
 cface \$5728 -1 \$4679 \$4600 \$3145 0 #
 string_attrb-name_attrb-gen-attrb \$-1 -1 \$-1 \$5582 custom custom ignore copy @9_VF_DATA_@89
 12:ENTITYTYPE=29:VERSION=36:Size=319:MaterialLabel=ferro11:Potential=516:VolumeLabel=pack #
 rgb_color-st-attrb \$-1 -1 \$-1 \$5583 \$3651 0.54901963472366333 0.90196079015731812 0.019607843831181526 #
 cface \$5729 -1 \$5596 \$4784 \$3651 0 #
 rgb_color-st-attrb \$-1 -1 \$5730 \$5584 \$4190 0.54901963472366333 0.90196079015731812 0.019607843831181526 #
 cface_ptr-ct-attrb \$-1 -1 \$-1 \$5585 \$3681 \$-1 \$5374 #
 string_attrb-name_attrb-gen-attrb \$-1 -1 \$5731 \$5588 \$5020 custom custom ignore copy @9_VF_DATA_@87
 12:ENTITYTYPE=49:VERSION=225:Information=Internal face16:FaceDirection=-111:FaceSense=1 #
 rgb_color-st-attrb \$-1 -1 \$5732 \$5589 \$4248 0.60000002384185791 0.60000002384185791 0.60000002384185791 #
 string_attrb-name_attrb-gen-attrb \$-1 -1 \$5733 \$5590 \$4688 custom custom ignore copy @9_VF_DATA_@89
 12:ENTITYTYPE=49:VERSION=225:Information=External face18:BoundaryLabel=norm11:FaceSense=1 #
 string_attrb-name_attrb-gen-attrb \$-1 -1 \$5734 \$5591 \$5027 custom custom ignore copy @9_VF_DATA_@87
 12:ENTITYTYPE=49:VERSION=225:Information=Internal face16:FaceDirection=-111:FaceSense=1 #
 cface_ptr-ct-attrb \$-1 -1 \$5735 \$5592 \$4260 \$-1 \$5639 #
 rgb_color-st-attrb \$-1 -1 \$-1 \$5593 \$3752 0.60000002384185791 0.60000002384185791 0.60000002384185791 #
 rgb_color-st-attrb \$-1 -1 \$5736 \$5594 \$4285 0.54901963472366333 0.90196079015731812 0.019607843831181526 #
 string_attrb-name_attrb-gen-attrb \$-1 -1 \$-1 \$5596 custom custom ignore copy @9_VF_DATA_@89
 12:ENTITYTYPE=29:VERSION=36:Size=319:MaterialLabel=ferro11:Potential=516:VolumeLabel=pack #
 cface \$5737 -1 \$5738 \$4784 \$4285 1 #
 rgb_color-st-attrb \$-1 -1 \$-1 \$5597 \$3769 0.54901963472366333 0.90196079015731812 0.019607843831181526 #
 cface_ptr-ct-attrb \$-1 -1 \$-1 \$5599 \$3778 \$5538 \$5376 #
 rgb_color-st-attrb \$-1 -1 \$5739 \$5601 \$4322 0.60000002384185791 0.60000002384185791 0.60000002384185791 #
 rgb_color-st-attrb \$-1 -1 \$-1 \$5602 \$3802 0.54901963472366333 0.90196079015731812 0.019607843831181526 #
 cface \$5740 -1 \$5727 \$4784 \$3802 0 #
 cface_ptr-ct-attrb \$-1 -1 \$5741 \$5603 \$4338 \$4597 \$5101 #
 real_attrb-name_attrb-gen-attrb \$-1 -1 \$5742 \$5604 \$4752 lose lose lose keep @11_VF_FACEAREA 1.0844424359935112 #
 cface_ptr-ct-attrb \$-1 -1 \$-1 \$5605 \$3820 \$4148 \$5636 #
 string_attrb-name_attrb-gen-attrb \$-1 -1 \$-1 \$5608 custom custom ignore copy @9_VF_DATA_@89
 12:ENTITYTYPE=29:VERSION=36:Size=319:MaterialLabel=ferro11:Potential=516:VolumeLabel=pack #
 cface \$5743 -1 \$5744 \$4784 \$4535 1 #
 string_attrb-name_attrb-gen-attrb \$-1 -1 \$-1 \$5610 custom custom ignore copy @9_VF_DATA_@89
 12:ENTITYTYPE=29:VERSION=36:Size=319:MaterialLabel=ferro11:Potential=516:VolumeLabel=pack #
 rgb_color-st-attrb \$-1 -1 \$-1 \$5612 \$3839 0.54901963472366333 0.90196079015731812 0.019607843831181526 #
 string_attrb-name_attrb-gen-attrb \$-1 -1 \$5745 \$5613 \$0 keep keep_ignored ignore copy @14_VF_COLOUR_DATA @43
 8:NAME=1969:VERSION=210:List=Theta7:Label=0 #
 string_attrb-name_attrb-gen-attrb \$-1 -1 \$5746 \$5614 \$40 keep keep_ignored ignore copy @14_VF_COLOUR_DATA @71
 8:NAME=1629:VERSION=216:List=Information28:Label=paired face [layering] #
 string_attrb-name_attrb-gen-attrb \$-1 -1 \$-1 \$5616 custom custom ignore copy @9_VF_DATA_@89
 12:ENTITYTYPE=29:VERSION=36:Size=319:MaterialLabel=ferro11:Potential=516:VolumeLabel=pack #
 string_attrb-name_attrb-gen-attrb \$-1 -1 \$-1 \$5618 custom custom ignore copy @9_VF_DATA_@86
 12:ENTITYTYPE=29:VERSION=38:Size=0.517:MaterialLabel=Air11:Potential=213:ElementType=7 #
 rgb_color-st-attrb \$-1 -1 \$-1 \$5619 \$3961 0.60000002384185791 0.60000002384185791 0.60000002384185791 #

```

rgb_color-st-attrib $-1 -1 $-1 $5621 $3963 0.60000002384185791 0.60000002384185791 0.60000002384185791 #
rgb_color-st-attrib $-1 -1 $-1 $5623 $3968 0.60000002384185791 0.60000002384185791 0.60000002384185791 #
rgb_color-st-attrib $-1 -1 $5747 $5624 $4426 0.60000002384185791 0.60000002384185791 0.60000002384185791 #
cface_ptr-ct-attrib $-1 -1 $5748 $5625 $3454 $2950 $3459 #
string_attrib-name_attrib-gen-attrib $-1 -1 $-1 $-1 $5628 custom custom ignore copy @9_VF_DATA_ @68
12:ENTITYTYPE=29:VERSION=36:Size=117:MaterialLabel=Air11:Potential=2 #
integer_attrib-name_attrib-gen-attrib $-1 -1 $-1 $5629 $2531 copy keep_all ignore copy @21_VF_PAIR_TRANSFDEFINED 7 #
string_attrib-name_attrib-gen-attrib $-1 -1 $-1 $-1 $5634 custom custom ignore copy @9_VF_DATA_ @68
12:ENTITYTYPE=29:VERSION=36:Size=317:MaterialLabel=Air11:Potential=2 #
string_attrib-name_attrib-gen-attrib $-1 -1 $-1 $-1 $5636 custom custom ignore copy @9_VF_DATA_ @68
12:ENTITYTYPE=29:VERSION=38:Size=0.517:MaterialLabel=Air11:Potential=213:ElementType=7 #
string_attrib-name_attrib-gen-attrib $-1 -1 $-1 $-1 $5639 custom custom ignore copy @9_VF_DATA_ @89
12:ENTITYTYPE=29:VERSION=36:Size=319:MaterialLabel=ferro11:Potential=516:VolumeLabel=pack #
string_attrib-name_attrib-gen-attrib $-1 -1 $-1 $-1 $5641 custom custom ignore copy @9_VF_DATA_ @68
12:ENTITYTYPE=29:VERSION=36:Size=617:MaterialLabel=Air11:Potential=5 #
cface $5749 -1 $5750 $3956 $4905 0 #
string_attrib-name_attrib-gen-attrib $-1 -1 $-1 $-1 $5643 custom custom ignore copy @9_VF_DATA_ @68
12:ENTITYTYPE=29:VERSION=36:Size=617:MaterialLabel=Air11:Potential=5 #
cface $5751 -1 $-1 $3956 $4052 0 #
string_attrib-name_attrib-gen-attrib $-1 -1 $-1 $-1 $5644 custom custom ignore copy @9_VF_DATA_ @68
12:ENTITYTYPE=29:VERSION=36:Size=617:MaterialLabel=Air11:Potential=5 #
cface $5752 -1 $5539 $3956 $3529 0 #
cface_ptr-ct-attrib $-1 -1 $-1 $5646 $4052 $-1 $5711 #
string_attrib-name_attrib-gen-attrib $-1 -1 $5753 $5647 $4497 custom custom ignore copy @9_VF_DATA_ @89
12:ENTITYTYPE=49:VERSION=225:Information=External face18:BoundaryLabel=tang11:FaceSense=1 #
real_attrib-name_attrib-gen-attrib $-1 -1 $5754 $5649 $4905 lose lose lose keep @11_VF_FACEAREA 4239.8809257503717 #
string_attrib-name_attrib-gen-attrib $-1 -1 $5755 $5650 $5210 custom custom ignore copy @9_VF_DATA_ @87
12:ENTITYTYPE=49:VERSION=225:Information=Internal face16:FaceDirection=-111:FaceSense=1 #
rgb_color-st-attrib $-1 -1 $5756 $5651 $4535 0.60000002384185791 0.60000002384185791 0.60000002384185791 #
real_attrib-name_attrib-gen-attrib $-1 -1 $5757 $5652 $4913 lose lose lose keep @11_VF_FACEAREA 1803.8074350643367 #
cface_ptr-ct-attrib $-1 -1 $-1 $5653 $4080 $4146 $5608 #
real_attrib-name_attrib-gen-attrib $-1 -1 $5758 $5654 $4086 lose lose lose keep @11_VF_FACEAREA 935.14253265242542 #
string_attrib-name_attrib-gen-attrib $-1 -1 $-1 $-1 $5657 custom custom ignore copy @9_VF_DATA_ @68
12:ENTITYTYPE=29:VERSION=36:Size=317:MaterialLabel=Air11:Potential=2 #
string_attrib-name_attrib-gen-attrib $-1 -1 $-1 $-1 $5659 custom custom ignore copy @9_VF_DATA_ @68
12:ENTITYTYPE=29:VERSION=36:Size=117:MaterialLabel=Air11:Potential=2 #
cface_ptr-ct-attrib $-1 -1 $5759 $5661 $3597 $3450 $4791 #
string_attrib-name_attrib-gen-attrib $-1 -1 $-1 $-1 $5664 custom custom ignore copy @9_VF_DATA_ @89
12:ENTITYTYPE=29:VERSION=36:Size=319:MaterialLabel=ferro11:Potential=516:VolumeLabel=pack #
rgb_color-st-attrib $-1 -1 $-1 $5665 $4176 0.54901963472366333 0.90196079015731812 0.019607843831181526 #
cface $5760 -1 $5761 $4784 $4176 0 #
string_attrib-name_attrib-gen-attrib $-1 -1 $-1 $-1 $5667 custom custom ignore copy @9_VF_DATA_ @68
12:ENTITYTYPE=29:VERSION=36:Size=117:MaterialLabel=Air11:Potential=2 #
string_attrib-name_attrib-gen-attrib $-1 -1 $-1 $-1 $5670 custom custom ignore copy @9_VF_DATA_ @89
12:ENTITYTYPE=29:VERSION=36:Size=319:MaterialLabel=ferro11:Potential=516:VolumeLabel=pack #
cface_ptr-ct-attrib $-1 -1 $-1 $5671 $4190 $5576 $5762 #
real_attrib-name_attrib-gen-attrib $-1 -1 $5763 $5673 $5020 lose lose lose keep @11_VF_FACEAREA 1395.4499370802596 #
cface_ptr-ct-attrib $-1 -1 $-1 $5674 $4248 $5380 $5565 #
rgb_color-st-attrib $-1 -1 $5764 $5675 $4688 0.60000002384185791 0.60000002384185791 0.60000002384185791 #
real_attrib-name_attrib-gen-attrib $-1 -1 $5765 $5676 $5027 lose lose lose keep @11_VF_FACEAREA 435.00768859466052 #
rgb_color-st-attrib $-1 -1 $-1 $5677 $4260 0.54901963472366333 0.90196079015731812 0.019607843831181526 #
cface_ptr-ct-attrib $-1 -1 $-1 $5679 $4285 $5681 $4789 #
string_attrib-name_attrib-gen-attrib $-1 -1 $-1 $-1 $5681 custom custom ignore copy @9_VF_DATA_ @89
12:ENTITYTYPE=29:VERSION=36:Size=319:MaterialLabel=ferro11:Potential=516:VolumeLabel=pack #
cface $5766 -1 $5495 $4784 $4752 1 #
cface_ptr-ct-attrib $-1 -1 $-1 $5684 $4322 $5099 $5533 #
string_attrib-name_attrib-gen-attrib $-1 -1 $-1 $-1 $5686 custom custom ignore copy @9_VF_DATA_ @89
12:ENTITYTYPE=29:VERSION=36:Size=319:MaterialLabel=ferro11:Potential=516:VolumeLabel=pack #
rgb_color-st-attrib $-1 -1 $-1 $5687 $4338 0.60000002384185791 0.60000002384185791 0.60000002384185791 #
rgb_color-st-attrib $-1 -1 $5767 $5688 $4752 0.54901963472366333 0.90196079015731812 0.019607843831181526 #
string_attrib-name_attrib-gen-attrib $-1 -1 $-1 $-1 $5691 custom custom ignore copy @9_VF_DATA_ @89
12:ENTITYTYPE=29:VERSION=36:Size=319:MaterialLabel=ferro11:Potential=516:VolumeLabel=pack #
cface $5768 -1 $5762 $4784 $5027 1 #
string_attrib-name_attrib-gen-attrib $-1 -1 $5769 $5694 $0 keep keep_kept ignore copy @14_VF_COLOUR_DATA @43
8:NAME=1879:VERSION=29:List=Size9:Label=0.5 #
string_attrib-name_attrib-gen-attrib $-1 -1 $5770 $5695 $40 keep keep_kept ignore copy @14_VF_COLOUR_DATA @62
8:NAME=1619:VERSION=216:List=Information19:Label=Internal face #
cface_ptr-ct-attrib $-1 -1 $-1 $5701 $4426 $5516 $4796 #
rgb_color-st-attrib $-1 -1 $5771 $5702 $3454 0.60000002384185791 0.60000002384185791 0.60000002384185791 #
string_attrib-name_attrib-gen-attrib $-1 -1 $-1 $-1 $5709 custom custom ignore copy @9_VF_DATA_ @68
12:ENTITYTYPE=29:VERSION=36:Size=617:MaterialLabel=Air11:Potential=5 #
cface $5772 -1 $5773 $3956 $5027 0 #

```

```

string_attrib-name_attrib-gen-attr $-1 -1 $-1 $-1 $5711 custom custom ignore copy @9_VF_DATA_ @68
12:ENTITYTYPE=29:VERSION=36:Size=617:MaterialLabel=Air11:Potential=5 #
string_attrib-name_attrib-gen-attr $-1 -1 $-1 $-1 $5713 custom custom ignore copy @9_VF_DATA_ @68
12:ENTITYTYPE=29:VERSION=36:Size=617:MaterialLabel=Air11:Potential=5 #
cface_ptr-ct-attr $-1 -1 $-1 $5715 $4497 $-1 $5643 #
rgb_color-st-attr $-1 -1 $5774 $5716 $4905 0.60000002384185791 0.60000002384185791 0.60000002384185791 #
real_attrib-name_attrib-gen-attr $-1 -1 $5775 $5717 $5210 lose lose lose keep @11_VF_FACEAREA 337.31611597088983 #
cface_ptr-ct-attr $-1 -1 $-1 $5718 $4535 $5691 $5382 #
rgb_color-st-attr $-1 -1 $5776 $5719 $4913 0.60000002384185791 0.60000002384185791 0.60000002384185791 #
cface_ptr-ct-attr $-1 -1 $5777 $5721 $4086 $4785 $5531 #
rgb_color-st-attr $-1 -1 $5778 $5724 $3597 0.60000002384185791 0.60000002384185791 0.60000002384185791 #
string_attrib-name_attrib-gen-attr $-1 -1 $-1 $-1 $5727 custom custom ignore copy @9_VF_DATA_ @89
12:ENTITYTYPE=29:VERSION=36:Size=319:MaterialLabel=ferro11:Potential=516:VolumeLabel=pack #
cface $5779 -1 $5670 $4784 $4913 1 #
cface $5780 -1 $5664 $4784 $4190 0 #
cface_ptr-ct-attr $-1 -1 $5781 $5731 $5020 $5535 $5782 #
cface_ptr-ct-attr $-1 -1 $-1 $5733 $4688 $-1 $5783 #
cface_ptr-ct-attr $-1 -1 $5784 $5734 $5027 $5744 $5750 #
string_attrib-name_attrib-gen-attr $-1 -1 $-1 $-1 $5738 custom custom ignore copy @9_VF_DATA_ @89
12:ENTITYTYPE=29:VERSION=36:Size=319:MaterialLabel=ferro11:Potential=516:VolumeLabel=pack #
cface_ptr-ct-attr $-1 -1 $-1 $5742 $4752 $5738 $4415 #
string_attrib-name_attrib-gen-attr $-1 -1 $-1 $-1 $5744 custom custom ignore copy @9_VF_DATA_ @89
12:ENTITYTYPE=29:VERSION=36:Size=319:MaterialLabel=ferro11:Potential=516:VolumeLabel=pack #
string_attrib-name_attrib-gen-attr $-1 -1 $5785 $5745 $0 keep keep_kept ignore copy @14_VF_COLOUR_DATA @41
8:NAME=1959:VERSION=29:List=Size7:Label=6 #
string_attrib-name_attrib-gen-attr $-1 -1 $5786 $5746 $40 keep keep_kept ignore copy @14_VF_COLOUR_DATA @50
8:NAME=1129:VERSION=29:List=Name15:Label=ModelBody #
integer_attrib-name_attrib-gen-attr $-1 -1 $-1 $5748 $3454 copy keep_all ignore copy @21_VF_PAIR_TRANSFDEFINED 6 #
string_attrib-name_attrib-gen-attr $-1 -1 $-1 $-1 $5750 custom custom ignore copy @9_VF_DATA_ @68
12:ENTITYTYPE=29:VERSION=36:Size=617:MaterialLabel=Air11:Potential=5 #
cface $5787 -1 $5782 $3956 $4913 0 #
cface_ptr-ct-attr $-1 -1 $-1 $5754 $4905 $5155 $5709 #
cface_ptr-ct-attr $-1 -1 $5788 $5755 $5210 $5378 $5641 #
cface_ptr-ct-attr $-1 -1 $-1 $5757 $4913 $5761 $5773 #
rgb_color-st-attr $-1 -1 $5789 $5758 $4086 0.60000002384185791 0.60000002384185791 0.60000002384185791 #
integer_attrib-name_attrib-gen-attr $-1 -1 $-1 $5759 $3597 copy keep_all ignore copy @21_VF_PAIR_TRANSFDEFINED 8 #
string_attrib-name_attrib-gen-attr $-1 -1 $-1 $-1 $5761 custom custom ignore copy @9_VF_DATA_ @89
12:ENTITYTYPE=29:VERSION=36:Size=319:MaterialLabel=ferro11:Potential=516:VolumeLabel=pack #
string_attrib-name_attrib-gen-attr $-1 -1 $-1 $-1 $5762 custom custom ignore copy @9_VF_DATA_ @89
12:ENTITYTYPE=29:VERSION=36:Size=319:MaterialLabel=ferro11:Potential=516:VolumeLabel=pack #
rgb_color-st-attr $-1 -1 $-1 $5763 $5020 0.60000002384185791 0.60000002384185791 0.60000002384185791 #
cface $5790 -1 $5783 $3956 $5020 0 #
cface $5791 -1 $5644 $3956 $4688 0 #
rgb_color-st-attr $-1 -1 $-1 $5765 $5027 0.60000002384185791 0.60000002384185791 0.60000002384185791 #
string_attrib-name_attrib-gen-attr $-1 -1 $5792 $5769 $0 keep keep_kept ignore copy @14_VF_COLOUR_DATA @41
8:NAME=1949:VERSION=29:List=Size7:Label=3 #
string_attrib-name_attrib-gen-attr $-1 -1 $5793 $5770 $40 keep keep_kept ignore copy @14_VF_COLOUR_DATA @53
8:NAME=1009:VERSION=216:List=VolumeLabel10:Label=pack #
string_attrib-name_attrib-gen-attr $-1 -1 $-1 $-1 $5773 custom custom ignore copy @9_VF_DATA_ @68
12:ENTITYTYPE=29:VERSION=36:Size=617:MaterialLabel=Air11:Potential=5 #
rgb_color-st-attr $-1 -1 $-1 $5775 $5210 0.60000002384185791 0.60000002384185791 0.60000002384185791 #
integer_attrib-name_attrib-gen-attr $-1 -1 $-1 $5777 $4086 copy keep_all ignore copy @21_VF_PAIR_TRANSFDEFINED 10 #
string_attrib-name_attrib-gen-attr $-1 -1 $-1 $-1 $5782 custom custom ignore copy @9_VF_DATA_ @68
12:ENTITYTYPE=29:VERSION=36:Size=617:MaterialLabel=Air11:Potential=5 #
string_attrib-name_attrib-gen-attr $-1 -1 $-1 $-1 $5783 custom custom ignore copy @9_VF_DATA_ @68
12:ENTITYTYPE=29:VERSION=36:Size=617:MaterialLabel=Air11:Potential=5 #
string_attrib-name_attrib-gen-attr $-1 -1 $5794 $5785 $0 keep keep_kept ignore copy @14_VF_COLOUR_DATA @41
8:NAME=1939:VERSION=29:List=Size7:Label=1 #
string_attrib-name_attrib-gen-attr $-1 -1 $5795 $5786 $40 keep keep_kept ignore copy @14_VF_COLOUR_DATA @55
7:NAME=769:VERSION=218:List=MaterialLabel11:Label=ferro #
string_attrib-name_attrib-gen-attr $-1 -1 $5796 $5792 $0 keep keep_kept ignore copy @14_VF_COLOUR_DATA @58
8:NAME=1769:VERSION=216:List=ElementType15:Label=Quadratic #
string_attrib-name_attrib-gen-attr $-1 -1 $5797 $5793 $40 keep keep_kept ignore copy @14_VF_COLOUR_DATA @51
6:NAME=79:VERSION=218:List=MaterialLabel9:Label=Air #
string_attrib-name_attrib-gen-attr $-1 -1 $5798 $5794 $0 keep keep_kept ignore copy @14_VF_COLOUR_DATA @55
8:NAME=1759:VERSION=216:List=ElementType12:Label=Linear #
string_attrib-name_attrib-gen-attr $-1 -1 $5799 $5795 $40 keep keep_kept ignore copy @14_VF_COLOUR_DATA @54
7:NAME=659:VERSION=218:List=BoundaryLabel10:Label=norm #
string_attrib-name_attrib-gen-attr $-1 -1 $5800 $5796 $0 keep keep_kept ignore copy @14_VF_COLOUR_DATA @54
8:NAME=1739:VERSION=214:List=Potential13:Label=Reduced #
string_attrib-name_attrib-gen-attr $-1 -1 $5801 $5797 $40 keep keep_kept ignore copy @14_VF_COLOUR_DATA @54
7:NAME=649:VERSION=218:List=BoundaryLabel10:Label=tang #

```

```

string_attrib-name_attrib-gen-attrb $-1 -1 $5802 $5798 $0 keep keep_kept ignore copy @14 VF_COLOUR_DATA @52
8:NAME=1729:VERSION=214:List=Potential11:Label=Total #
string_attrib-name_attrib-gen-attrb $-1 -1 $5803 $5799 $40 keep keep_kept ignore copy @16 VF_BOUNDARY_DATA @43
9:NAME=norm9:VERSION=118:Condition=NORMMAGN #
string_attrib-name_attrib-gen-attrb $-1 -1 $5804 $5800 $0 keep keep_kept ignore copy @14 VF_COLOUR_DATA @61
8:NAME=1829:VERSION=215:List=DriveLabel19:Label=Default drive #
string_attrib-name_attrib-gen-attrb $-1 -1 $5805 $5801 $40 keep keep_kept ignore copy @16 VF_BOUNDARY_DATA @43
9:NAME=tang9:VERSION=118:Condition=TANGMAGN #
string_attrib-name_attrib-gen-attrb $-1 -1 $5806 $5802 $0 keep keep_kept ignore copy @14 VF_COLOUR_DATA @62
8:NAME=1609:VERSION=216:List=Information19:Label=External face #
string_attrib-name_attrib-gen-attrb $-1 -1 $5807 $5803 $40 keep keep_kept ignore copy @14 VF_VOLUME_DATA @60
9:NAME=pack9:VERSION=17:Theta=05:Phi=05:Psi=012:Packing=0.96 #
string_attrib-name_attrib-gen-attrb $-1 -1 $5808 $5804 $0 keep keep_kept ignore copy @14 VF_COLOUR_DATA @73
8:NAME=1649:VERSION=216:List=Information30:Label=paired vertex [layering] #
string_attrib-name_attrib-gen-attrb $-1 -1 $5809 $5805 $40 keep keep_kept ignore copy @16 VF_MATERIAL_DATA @395
8:Name=Air14:MuAnisotropy=113:MuLinearity=16:Mu=1.08:MPHase=08:MuXX=1.08:MuYY=1.08:MuZZ=1.09:MAPHase=04:Hc=0
5:HcX=05:HcY=05:HcZ=015:SigAnisotropy=17:Sigma=08:SPhase=07:SigXX=07:SigYY=07:SigZZ=09:SAPhase=015:EpsAnisotropy
=111:Epsilon=1.08:EPhase=09:EpsXX=1.09:EpsYY=1.09:EpsZZ=1.09:EAPhase=015:KapAnisotropy=112:BaseName=Air8:Iw=AIR_I
17:MuSigAnisotropy=17:MuSig=09:MuSigXX=09:MuSigYY=09:MuSigZZ=0 #
string_attrib-name_attrib-gen-attrb $-1 -1 $5810 $5806 $0 keep keep_kept ignore copy @14 VF_COLOUR_DATA @71
8:NAME=1639:VERSION=216:List=Information28:Label=paired edge [layering] #
string_attrib-name_attrib-gen-attrb $-1 -1 $5811 $5807 $40 keep keep_kept ignore copy @16 VF_MATERIAL_DATA @480
10:Name=ferro9:Version=514:MuAnisotropy=213:MuLinearity=24:Mu=18:MPHase=06:MuXX=16:MuYY=16:MuZZ=19:MAPHase=0
6:Hc=0.07:HcX=0.07:HcY=0.07:HcZ=0.020:BH=stabocor 1200-
10015:SigAnisotropy=19:Sigma=0.08:SPhase=09:SigXX=0.09:SigYY=0.09:SigZZ=0.09:SAPhase=015:EpsAnisotropy=19:Epsilon=18
:EPhase=07:EpsXX=17:EpsYY=17:EpsZZ=19:EAPhase=015:KapAnisotropy=19:Kappa=0.09:KapXX=0.09:KapYY=0.09:KapZZ=0.0
14:BaseName=ferro10:Iw=FERRO_I17:MuSigAnisotropy=17:MuSig=09:MuSigXX=09:MuSigYY=09:MuSigZZ=0 #
string_attrib-name_attrib-gen-attrb $-1 -1 $5812 $5808 $0 keep keep_kept ignore copy @14 VF_COLOUR_DATA @71
8:NAME=1629:VERSION=216:List=Information28:Label=paired face [layering] #
string_attrib-name_attrib-gen-attrb $-1 -1 $5813 $5809 $40 custom custom ignore copy @9 _VF_DATA_ @140
12:ENTTTYTYPE=19:VERSION=214:Name=ModelBody20:UniqueName=ModelBody17:ModelPart=Default16:VectorsValidId=113:
GeomValidId=216:ColoursValidId=2 #
string_attrib-name_attrib-gen-attrb $-1 -1 $5814 $5810 $0 keep keep_kept ignore copy @14 VF_COLOUR_DATA @62
8:NAME=1619:VERSION=216:List=Information19:Label=Internal face #
integer_attrib-name_attrib-gen-attrb $-1 -1 $5815 $5811 $40 lose lose ignore keep @15 VF_ID_NUM_LOCAL 1 #
string_attrib-name_attrib-gen-attrb $-1 -1 $5816 $5812 $0 keep keep_kept ignore copy @14 VF_COLOUR_DATA @50
8:NAME=1129:VERSION=29:List=Name15:Label=ModelBody #
name_attrib-gen-attrb $-1 -1 $-1 $5813 $40 keep keep_kept ignore copy @14 _VF_MODELBODY_ #
string_attrib-name_attrib-gen-attrb $-1 -1 $5817 $5814 $0 keep keep_kept ignore copy @14 VF_COLOUR_DATA @53
8:NAME=1009:VERSION=216:List=VolumeLabel10:Label=pack #
string_attrib-name_attrib-gen-attrb $-1 -1 $5818 $5816 $0 keep keep_kept ignore copy @14 VF_COLOUR_DATA @70
8:NAME=2279:VERSION=211:List=LCName32:Label=Local Coordinate System141 #
string_attrib-name_attrib-gen-attrb $-1 -1 $5819 $5817 $0 keep keep_kept ignore copy @14 VF_COLOUR_DATA @50
7:NAME=889:VERSION=211:List=LCName13:Label=origine #
string_attrib-name_attrib-gen-attrb $-1 -1 $5820 $5818 $0 keep keep_kept ignore copy @14 VF_COLOUR_DATA @66
7:NAME=909:VERSION=211:List=LCName29:Label=Local Coordinate System #
string_attrib-name_attrib-gen-attrb $-1 -1 $5821 $5819 $0 keep keep_kept ignore copy @14 VF_COLOUR_DATA @69
8:NAME=2379:VERSION=211:List=LCName31:Label=Local Coordinate System21 #
string_attrib-name_attrib-gen-attrb $-1 -1 $5822 $5820 $0 keep keep_kept ignore copy @14 VF_COLOUR_DATA @69
8:NAME=2359:VERSION=211:List=LCName31:Label=Local Coordinate System20 #
string_attrib-name_attrib-gen-attrb $-1 -1 $5823 $5821 $0 keep keep_kept ignore copy @14 VF_COLOUR_DATA @69
8:NAME=2339:VERSION=211:List=LCName31:Label=Local Coordinate System19 #
string_attrib-name_attrib-gen-attrb $-1 -1 $5824 $5822 $0 keep keep_kept ignore copy @14 VF_COLOUR_DATA @69
8:NAME=2319:VERSION=211:List=LCName31:Label=Local Coordinate System18 #
string_attrib-name_attrib-gen-attrb $-1 -1 $5825 $5823 $0 keep keep_kept ignore copy @14 VF_COLOUR_DATA @69
8:NAME=2299:VERSION=211:List=LCName31:Label=Local Coordinate System17 #
string_attrib-name_attrib-gen-attrb $-1 -1 $5826 $5824 $0 keep keep_kept ignore copy @14 VF_COLOUR_DATA @69
8:NAME=2259:VERSION=211:List=LCName31:Label=Local Coordinate System16 #
string_attrib-name_attrib-gen-attrb $-1 -1 $5827 $5825 $0 keep keep_kept ignore copy @14 VF_COLOUR_DATA @69
8:NAME=2239:VERSION=211:List=LCName31:Label=Local Coordinate System15 #
string_attrib-name_attrib-gen-attrb $-1 -1 $5828 $5826 $0 keep keep_kept ignore copy @14 VF_COLOUR_DATA @69
8:NAME=2219:VERSION=211:List=LCName31:Label=Local Coordinate System14 #
string_attrib-name_attrib-gen-attrb $-1 -1 $5829 $5827 $0 keep keep_kept ignore copy @14 VF_COLOUR_DATA @69
8:NAME=2199:VERSION=211:List=LCName31:Label=Local Coordinate System13 #
string_attrib-name_attrib-gen-attrb $-1 -1 $5830 $5828 $0 keep keep_kept ignore copy @14 VF_COLOUR_DATA @69
8:NAME=2179:VERSION=211:List=LCName31:Label=Local Coordinate System12 #
string_attrib-name_attrib-gen-attrb $-1 -1 $5831 $5829 $0 keep keep_kept ignore copy @14 VF_COLOUR_DATA @69
8:NAME=2159:VERSION=211:List=LCName31:Label=Local Coordinate System11 #
string_attrib-name_attrib-gen-attrb $-1 -1 $5832 $5830 $0 keep keep_kept ignore copy @14 VF_COLOUR_DATA @67
7:NAME=999:VERSION=211:List=LCName30:Label=Local Coordinate System9 #
string_attrib-name_attrib-gen-attrb $-1 -1 $5833 $5831 $0 keep keep_kept ignore copy @14 VF_COLOUR_DATA @67
7:NAME=989:VERSION=211:List=LCName30:Label=Local Coordinate System8 #

```



```

string_attrib-name_attrib-gen-attrb $-1 -1 $5834 $5832 $0 keep keep_kept ignore copy @14 VF_COLOUR_DATA @67
7:NAME=979:VERSION=211:List=LCName30:Label=Local Coordinate System7 #
string_attrib-name_attrib-gen-attrb $-1 -1 $5835 $5833 $0 keep keep_kept ignore copy @14 VF_COLOUR_DATA @67
7:NAME=949:VERSION=211:List=LCName30:Label=Local Coordinate System6 #
string_attrib-name_attrib-gen-attrb $-1 -1 $5836 $5834 $0 keep keep_kept ignore copy @14 VF_COLOUR_DATA @67
7:NAME=969:VERSION=211:List=LCName30:Label=Local Coordinate System5 #
string_attrib-name_attrib-gen-attrb $-1 -1 $5837 $5835 $0 keep keep_kept ignore copy @14 VF_COLOUR_DATA @67
7:NAME=959:VERSION=211:List=LCName30:Label=Local Coordinate System4 #
string_attrib-name_attrib-gen-attrb $-1 -1 $5838 $5836 $0 keep keep_kept ignore copy @14 VF_COLOUR_DATA @67
7:NAME=929:VERSION=211:List=LCName30:Label=Local Coordinate System2 #
string_attrib-name_attrib-gen-attrb $-1 -1 $5839 $5837 $0 keep keep_kept ignore copy @14 VF_COLOUR_DATA @67
7:NAME=919:VERSION=211:List=LCName30:Label=Local Coordinate System1 #
string_attrib-name_attrib-gen-attrb $-1 -1 $5840 $5838 $0 keep keep_kept ignore copy @14 VF_COLOUR_DATA @55
7:NAME=769:VERSION=218:List=MaterialLabel11:Label=ferro #
string_attrib-name_attrib-gen-attrb $-1 -1 $5841 $5839 $0 keep keep_kept ignore copy @14 VF_COLOUR_DATA @51
6:NAME=79:VERSION=218:List=MaterialLabel9:Label=Air #
string_attrib-name_attrib-gen-attrb $-1 -1 $5842 $5840 $0 keep keep_kept ignore copy @14 VF_COLOUR_DATA @54
7:NAME=659:VERSION=218:List=BoundaryLabel10:Label=norm #
string_attrib-name_attrib-gen-attrb $-1 -1 $5843 $5841 $0 keep keep_kept ignore copy @14 VF_COLOUR_DATA @54
7:NAME=649:VERSION=218:List=BoundaryLabel10:Label=tang #
string_attrib-name_attrib-gen-attrb $-1 -1 $5844 $5842 $0 keep keep_kept ignore copy @12 VF_DCOD_DATA @78
7:NAME=159:VERSION=113:Command=TITLE14:Parameter=DATE14:ChrVal=TOPLEFT6:Used=2 #
string_attrib-name_attrib-gen-attrb $-1 -1 $5845 $5843 $0 keep keep_kept ignore copy @12 VF_DCOD_DATA @79
7:NAME=149:VERSION=113:Command=TITLE18:Parameter=POSITION11:ChrVal=NONE6:Used=2 #
string_attrib-name_attrib-gen-attrb $-1 -1 $5846 $5844 $0 keep keep_kept ignore copy @12 VF_DCOD_DATA @63
7:NAME=139:VERSION=113:Command=TITLE16:Parameter=STRING6:Used=0 #
string_attrib-name_attrib-gen-attrb $-1 -1 $5847 $5845 $0 keep keep_kept ignore copy @12 VF_DCOD_DATA @93
7:NAME=129:VERSION=115:Command=$STRING25:Parameter=VF_ANALYSISTYPE16:ChrVal=ToscaMagn6:Used=2 #
string_attrib-name_attrib-gen-attrb $-1 -1 $5848 $5846 $0 keep keep_kept ignore copy @12 VF_DCOD_DATA @104
7:NAME=119:VERSION=121:Command=PRECISIONDATA19:Parameter=SMALLFACE27:Value=1.000000000000001e-
066:Used=1 #
string_attrib-name_attrib-gen-attrb $-1 -1 $5849 $5847 $0 keep keep_kept ignore copy @12 VF_DCOD_DATA @101
7:NAME=109:VERSION=121:Command=PRECISIONDATA16:Parameter=ABSTOL27:Value=1.000000000000001e-066:Used=1 #
string_attrib-name_attrib-gen-attrb $-1 -1 $5850 $5848 $0 keep keep_kept ignore copy @12 VF_DCOD_DATA @81
6:NAME=99:VERSION=115:Command=SOLVERS17:Parameter=SURFACE13:ChrVal=CURVED6:Used=2 #
string_attrib-name_attrib-gen-attrb $-1 -1 $5851 $5849 $0 keep keep_kept ignore copy @12 VF_DCOD_DATA @80
6:NAME=89:VERSION=115:Command=SOLVERS17:Parameter=ELEMENT12:ChrVal=MIXED6:Used=2 #
string_attrib-name_attrib-gen-attrb $-1 -1 $5852 $5850 $0 keep keep_kept ignore copy @12 VF_DCOD_DATA @76
6:NAME=79:VERSION=115:Command=SOLVERS15:Parameter=UNITS10:ChrVal=CGS6:Used=2 #
string_attrib-name_attrib-gen-attrb $-1 -1 $5853 $5851 $0 keep keep_kept ignore copy @12 VF_DCOD_DATA @77
6:NAME=69:VERSION=115:Command=SOLVERS16:Parameter=OPTION10:ChrVal=NEW6:Used=2 #
string_attrib-name_attrib-gen-attrb $-1 -1 $5854 $5852 $0 keep keep_kept ignore copy @12 VF_DCOD_DATA @78
6:NAME=59:VERSION=112:Command=FILL19:Parameter=TOLERANCE11:Value=1e-156:Used=1 #
string_attrib-name_attrib-gen-attrb $-1 -1 $5855 $5853 $0 keep keep_kept ignore copy @12 VF_DCOD_DATA @78
6:NAME=49:VERSION=112:Command=MESH19:Parameter=TOLERANCE11:Value=1e-086:Used=1 #
string_attrib-name_attrib-gen-attrb $-1 -1 $5856 $5854 $0 keep keep_kept ignore copy @12 VF_DCOD_DATA @74
6:NAME=39:VERSION=112:Command=MESH20:Parameter=SURFACETOL7:Value=06:Used=1 #
string_attrib-name_attrib-gen-attrb $-1 -1 $5857 $5855 $0 keep keep_kept ignore copy @12 VF_DCOD_DATA @74
6:NAME=29:VERSION=112:Command=MESH19:Parameter=NORMALTOL8:Value=306:Used=1 #
string_attrib-name_attrib-gen-attrb $-1 -1 $5858 $5856 $0 keep keep_kept ignore copy @12 VF_DCOD_DATA @68
6:NAME=19:VERSION=112:Command=MESH14:Parameter=SIZE7:Value=66:Used=1 #
string_attrib-name_attrib-gen-attrb $-1 -1 $5859 $5857 $0 keep keep_kept ignore copy @16 VF_ANALYSIS_DATA @540
14:NAME=TOSCAMAGN9:VERSION=29:PROGRAM=111:LINEARITY=212:NLITERATYPE=213:ITERATIONS=9915:TOLERAN
CE=0.00112:RELAXATION=18:RHSINT=17:HXEXT=07:HYEXT=07:HZEXT=08:UPWIND=010:NLTTIM=2110:NLUPDATE=11
0:MAXADERR=111:DELTA=0.018:RPM=300020:FREQUENCY=10000000021:FREQUENCY2=2000000005:NEV=113:CONV
TOL=1e-
0813:PERIODICITY=114:POTENTIALCUT=113:THERMALTEMP=015:MinMeshCells=2017:MeshLimitFactor=315:MaxMeshChan
ge=319:Size=7.49481145e-0920:XSize=7.49481145e-0920:YSize=7.49481145e-0920:ZSize=7.49481145e-
0913:BoxDistance=012:PhaseShift=013:LogList=TTIME #
string_attrib-name_attrib-gen-attrb $-1 -1 $5860 $5858 $0 keep keep_kept ignore copy @16 VF_MODELLEDATA @101
17:NAME=MODELLERDATA9:VERSION=113:SURFACEMESH=116:SELEMENTS=13680312:VOLUMEMESH=117:VELEMEN
TS=2124091 #
string_attrib-name_attrib-gen-attrb $-1 -1 $5861 $5859 $0 keep keep_kept ignore copy @18 VF_BACKGROUND_DATA @87
18:NAME=THEBACKGROUND9:VERSION=19:SCALEX=109:SCALEY=109:SCALEZ=109:ROTNUM=1 #
string_attrib-name_attrib-gen-attrb $-1 -1 $5862 $5860 $0 keep keep_kept ignore copy @15 VF_BHRCURVE_DATA @840
22:NAME=stabocor 1200-
1009:VERSION=19:UNITSET=13:B=019:B=0.1000000149011618:B=0.201000050067920:B=0.300000011920929120:B=0.400999
99308586115:B=0.519:B=0.60100001096725420:B=0.700999975204467119:B=0.80099999904632520:B=0.90100002288818323:B=1
18:B=1.1000000238418518:B=1.2000000476837118:B=1.2999999523162818:B=1.4010000228881818:B=1.5010000467300418:B=1.
6000000238418518:B=1.7000000476837118:B=1.7999999523162818:B=1.899000048637393:H=018:H=48.384998321533218:H=70.
521003723144519:H=88.6309967041015118:H=107.31700134277318:H=126.06700134277318:H=146.19200134277318:H=167.1920
0134277318:H=189.51600646972618:H=213.27999877929618:H=238.41900634765618:H=271.09899902343719:H=313.2040100097

```

```

65118:H=404.01998901367119:H=559.585998535156119:H=839.674011230468118:H=1413.6280517578119:H=2884.895019531251
17:H=6165.127929687518:H=11695.2158203125 #
string_attrib-name_attrib-gen-attrb $-1 -1 $5863 $5861 $0 keep keep_kept ignore copy @15 VF_BHCCURVE_DATA @448
12:NAME=Default9:VERSION=19:UNITSET=03:B=06:B=64006:B=92007:B=101007:B=110007:B=120007:B=130007:B=140007:B
=145007:B=150007:B=155007:B=157507:B=160007:B=165007:B=170007:B=175007:B=180007:B=185007:B=190007:B=195007:B=
200007:B=205007:B=210007:B=215007:B=220007:B=225007:B=230003:H=03:H=15:H=1.73:H=25:H=2.43:H=33:H=45:H=6.25:H=8
.14:H=114:H=164:H=204:H=274:H=424:H=604:H=825:H=1155:H=1505:H=1905:H=2335:H=2805:H=3455:H=4505:H=6005:H=8006
:H=11806:H=1600 #
string_attrib-name_attrib-gen-attrb $-1 -1 $5864 $5862 $0 keep keep_kept ignore copy @13 VF_DRIVE_DATA @32
18:NAME=Default drive9:VERSION=1 #
string_attrib-name_attrib-gen-attrb $-1 -1 $5865 $5863 $0 keep keep_kept ignore copy @16 VF_BOUNDARY_DATA @43
9:NAME=norm9:VERSION=118:Condition=NORMMAGN #
string_attrib-name_attrib-gen-attrb $-1 -1 $5866 $5864 $0 keep keep_kept ignore copy @16 VF_BOUNDARY_DATA @43
9:NAME=tang9:VERSION=118:Condition=TANGMAGN #
string_attrib-name_attrib-gen-attrb $-1 -1 $5867 $5865 $0 keep keep_kept ignore copy @14 VF_VOLUME_DATA @60
9:NAME=pack9:VERSION=17:Theta=05:Phi=05:Psi=012:Packing=0.96 #
string_attrib-name_attrib-gen-attrb $-1 -1 $5868 $5866 $0 keep keep_kept ignore copy @16 VF_MATERIAL_DATA @395
8:Name=Air14:MuAnisotropy=113:MuLinearity=16:Mu=1.08:MPhase=08:MuXX=1.08:MuYY=1.08:MuZZ=1.09:MAPhase=04:Hc=0
5:HcX=05:HcY=05:HcZ=015:SigAnisotropy=17:Sigma=08:SPhase=07:SigXX=07:SigYY=07:SigZZ=09:SAPhase=015:EpsAnisotropy
=111:Epsilon=1.08:EPhase=09:EpsXX=1.09:EpsYY=1.09:EpsZZ=1.09:EAPhase=015:KapAnisotropy=112:BaseName=Air8:Iw=AIR_I
17:MuSigAnisotropy=17:MuSig=09:MuSigXX=09:MuSigYY=09:MuSigZZ=0 #
string_attrib-name_attrib-gen-attrb $-1 -1 $5869 $5867 $0 keep keep_kept ignore copy @16 VF_MATERIAL_DATA @480
10:Name=ferro9:Version=514:MuAnisotropy=213:MuLinearity=24:Mu=18:MPhase=06:MuXX=16:MuYY=16:MuZZ=19:MAPhase=0
6:Hc=0.07:HcX=0.07:HcY=0.07:HcZ=0.020:BH=stabocor 1200-
10015:SigAnisotropy=19:Sigma=0.08:SPhase=09:SigXX=0.09:SigYY=0.09:SigZZ=0.09:SAPhase=015:EpsAnisotropy=19:Epsilon=18
:EPhase=07:EpsXX=17:EpsYY=17:EpsZZ=19:EAPhase=015:KapAnisotropy=19:Kappa=0.09:KapXX=0.09:KapYY=0.09:KapZZ=0.0
14:BaseName=ferro10:Iw=FERRO_I17:MuSigAnisotropy=17:MuSig=09:MuSigXX=09:MuSigYY=09:MuSigZZ=0 #
integer_attrib-name_attrib-gen-attrb $-1 -1 $5870 $5868 $0 keep keep_kept ignore copy @15 VF_DATA_VECTOR3 0 #
real_attrib-name_attrib-gen-attrb $-1 -1 $5871 $5869 $0 keep keep_kept ignore copy @15 VF_DATA_VECTOR2 1 #
string_attrib-name_attrib-gen-attrb $-1 -1 $5872 $5870 $0 keep keep_kept ignore copy @14 VF_DATA_HIDDEN @0 #
string_attrib-name_attrib-gen-attrb $-1 -1 $-1 $5871 $0 keep keep_kept ignore copy @16 VF_DATA_SELECTED @16 1,,2,,6,,7,,41,,
#
End-of-ACIS-data

```